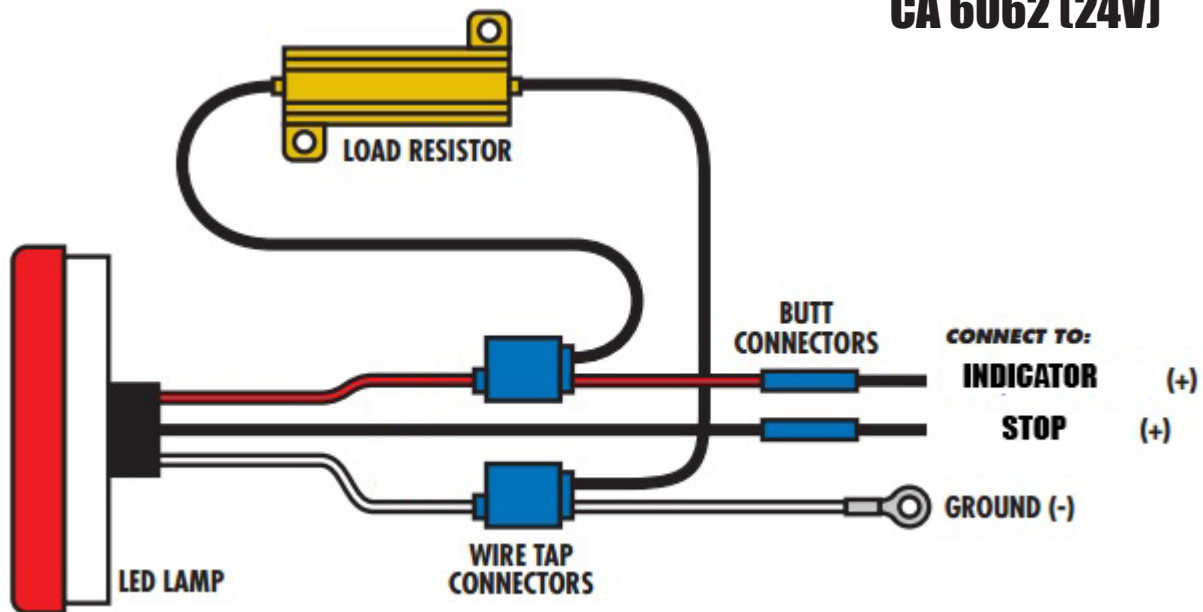


Load Resistor Instructions

CA 6061 (12V)
CA 6062 (24V)



**Insert Wires, squeeze with pliers to snap,
splice tap shut - Do not cut your vehicle Wires**

WARNING

Load Resistors get very hot. DO NOT let them touch wires, carpet, plastic, or any other object that could melt

Disclaimer: This diagram is to be used as a guide, Use of this guide is at the installers risk.