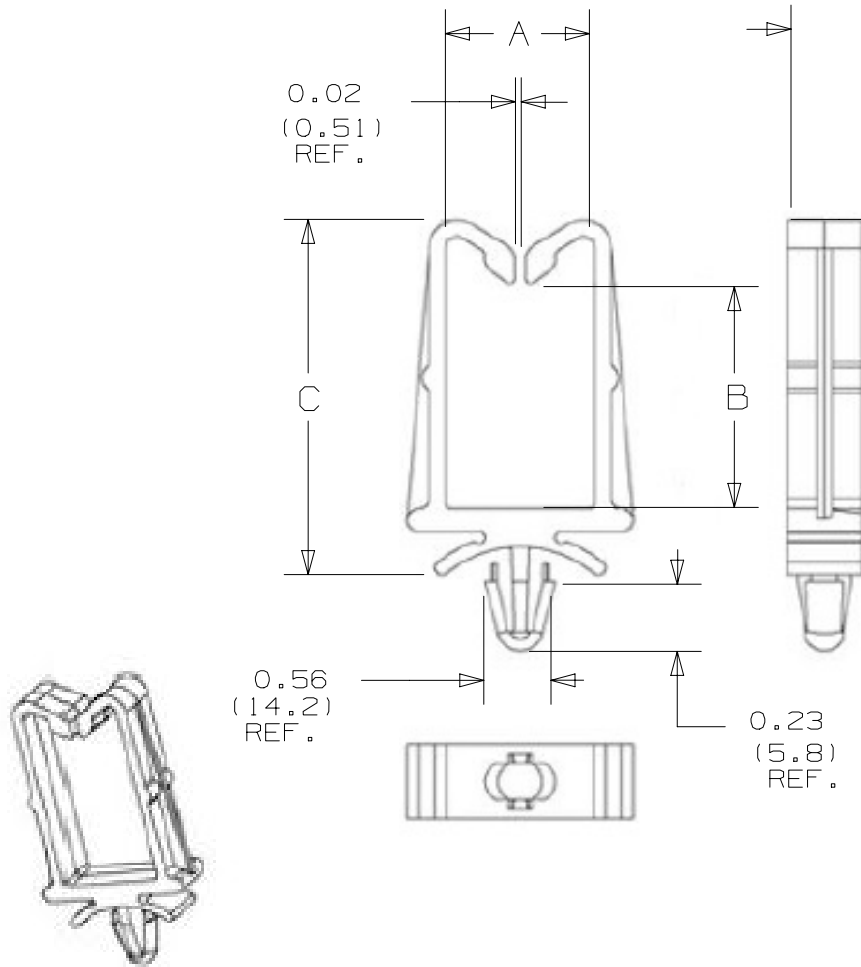


THIS COPY IS PROVIDED ON A RESTRICTED BASIS AND IS NOT TO BE USED IN ANY WAY DETRIMENTAL TO THE INTERESTS OF PANDUIT CORP.



PANDUIT PART NUMBER	DIMENSION		
	A	B	C
VWS3750	0.375 (9.5)	0.500 (12.7)	0.900 (22.9)
VWS3775	0.375 (9.5)	0.750 (19.0)	1.172 (29.8)
VWS50100	0.500 (12.7)	1.000 (25.4)	1.425 (36.2)

NOTES:

- 1) HOLE SIZE 0.187/0.192 (4.7/4.9 mm)
- 2) PANEL THICKNESS 0.030/0.080 (0.8/2.0 mm)
- 3) MAX BUNDLE CAPACITY = A × B

REV	DATE	BY	CHK	APR	DESCRIPTION	ECN
02	6/02/15	BWG	MRJS	JADE	ADDED REF. DIMENSIONS AND METRIC DIMENSIONS.	10B233AB/02
01	5/20/15	BWG	MRJS	JADE	REVISED NOTE 2. SEE ECN FOR COMPLETE DETAILS.	10B233AB/01
00	4/15/15	BWG	MRJS	JADE	DRAWING RELEASED.	10B233AB/00

TITLE VERTICAL WIRE SADDLES - VWS3750, VWS3775 & VWS50100						
CUSTOMER DRAWING						
ITEM REVISION NAME 10B233AB/02					PANDUIT	
DATASET FILE NAME 10B233AB_DC/02						
UNLESS OTHERWISE SPECIFIED, DIMENSIONAL TOLERANCES ARE: IN [mm]					MATERIAL: NYLON 6.6	
.X ± .XX ± .XXX ± .031 ANGLES ±					DRAWING NUMBER: 10B233AB_DC	
THIRD ANGLE PROJECTION						
DRAWN BY GILES	DATE 4/15/15	CHK	SCALE NONE	SHT 1 OF 1		SIZE A