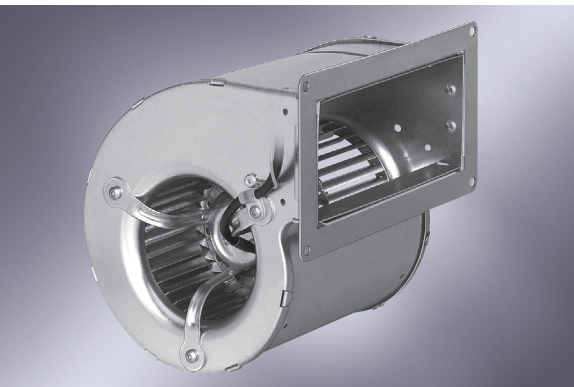


# AC centrifugal blowers

dual inlet, Ø 097



- Material: scroll housing and impeller made of galvanised sheet steel
- Mounting: SAL (standard external-rotor) motor mounted via brackets on one side of the scroll housing

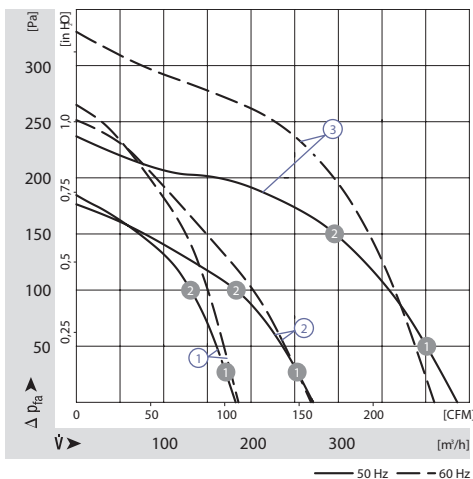
ebm-papst · Mulfingen

Nominal data		Characteristic	Voltage	Frequency	Air flow	Speed/rpm	Power input	Current draw	Capacitor	Noise level	Min. back pressure	Perm. amb. temp.	Mass
Type	Motor		VAC	Hz	m³/h	min⁻¹	W	A	µF/VDB	dB(A)	Pa	°C	kg
D2E 097-CB01 -12 <sup>(1)(3)</sup>	M2E042-CA		230	50	180	1650	42	0,19	1,5/400	47	0	60	1,3
D2E 097-CB01 -48 <sup>(1)(3)(4)</sup>	M2E042-CA	①	230	50	180	1650	42	0,19	1,5/400	47	0	60	1,3
D2E 097-CB01 -02 <sup>(2)(3)</sup>	M2E042-CA		230	60	180	1650	42	0,20	1,5/400	47	0	60	1,3
D2E 097-BE01 -65 <sup>(1)(3)</sup>	M2E042-CA	②	230	50	270	1250	48	0,22	2,0/400	47	0	55	1,5
D2E 097-BE01 -02 <sup>(2)(3)</sup>	M2E042-CA	②	230	60	265	1200	54	0,26	2,0/400	47	0	50	1,5
D2E 097-BI56 -48 <sup>(1)</sup>	M2E042-CA	③	230	50	435	1950	87	0,39	2,0/400	58	0	40	1,5
D2E 097-BI56 -02 <sup>(2)</sup>	M2E042-CA	③	230	60	410	1850	100	0,45	2,0/400	57	0	35	1,5

subject to alterations <sup>(1)</sup> With flange <sup>(2)</sup> Without flange <sup>(3)</sup> FPU (P2) capacitor in keeping with IEC 252 <sup>(4)</sup> With grill guard

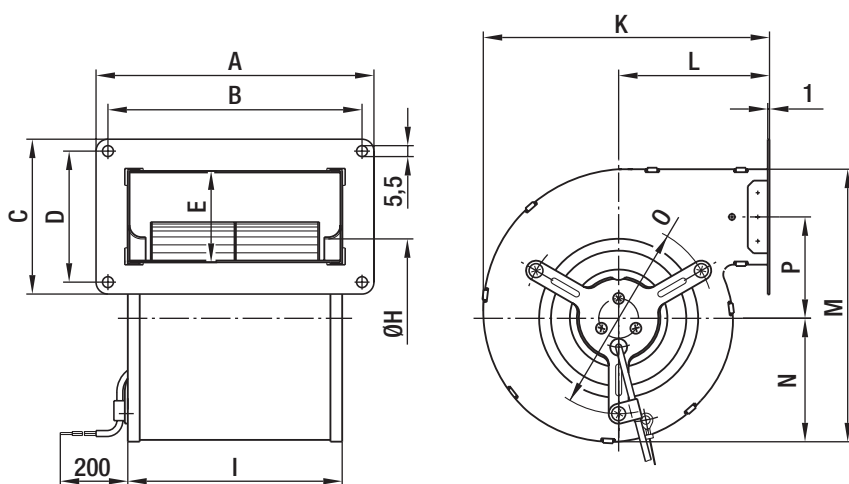
	n [min⁻¹]	P <sub>1</sub> [W]
① ①	1690	39
① ②	2090	36
② ①	1395	49
② ②	1900	45
③ ①	2150	83
③ ②	2475	73

## Characteristics



## Dimensions

Type	A	B	C	D	E	H	I	K	L	M	N	O	P
D2E 097-CB01 -12 D2E 097-CB01 -02	140	128	78	66	46	80,0	108	144	76	137	62	96	51,0
D2E 097-BE01 -65 D2E 097-BE01 -02	180	168	100	88	67	79,5	146	162	86	165	68	114	62,5
D2E 097-BI56 -48 D2E 097-BI56 -02	180	168	100	88	67	79,5	146	162	86	165	68	114	62,5



# Mouser Electronics

Authorized Distributor

Click to View Pricing, Inventory, Delivery & Lifecycle Information:

[ebm-papst:](#)

[D2E097-BE01-02](#) [D2E097-BI56-48](#)