

4414 M

# DC axial compact fan



## ebm-papst St. Georgen GmbH & Co. KG

Hermann-Papst-Straße 1

D-78112 St. Georgen

Phone +49 7724 81-0

Fax +49 7724 81-1309

info2@de.ebmpapst.com

www.ebmpapst.com

## Nominal data

Type	4414 M	
Nominal voltage	VDC	24
Nominal voltage range	VDC	18 .. 28
Speed	min <sup>-1</sup>	3300
Power input	W	4.0
Min. ambient temperature	°C	-20
Max. ambient temperature	°C	70
Air flow	m <sup>3</sup> /h	184
Sound power level	B	5.3
Sound pressure level	dB(A)	42

ml = max. load · me = max. efficiency · rfa = running at free air · cs = customer specs · cu = customer unit  
Subject to alterations



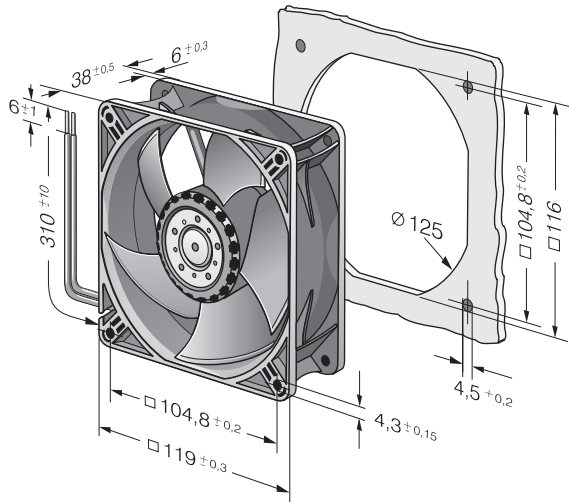
## Technical features

<b>Dimensions</b>	119 x 119 x 38 mm
<b>General description</b>	<p>Particular design features:</p> <p>Innovative impeller with winglets for low noise.</p> <p>Control inputs and alarm and speed signals available on request.</p> <p>High-speed version with 5000 rpm, standard models available with /2 and PWM.</p> <p>General features:</p> <p>Material: fibreglass-reinforced plastic. Impeller PA, housing PBT.</p> <p>Electronic commutation completely integrated.</p> <p>Protected against reverse polarity and locking.</p> <p>Connection via single strands AWG 24, TR 64, bared and tin-plated.</p> <p>Air exhaust over bars. Rotational direction clockwise looking at rotor.</p> <p>Mass: 270 g.</p>
<b>Connection line</b>	Single strands AWG 24, TR 64, bared and tin-plated.
<b>Direction of rotation</b>	Right, looking at rotor
<b>Direction of air flow</b>	Air exhaust over bars
<b>Bearing</b>	Ball bearings
<b>Lifetime L10 at 40 °C</b>	65000 h
<b>Lifetime L10 at maximum temperature</b>	32500 h
<b>Mass</b>	0.250 kg
<b>Housing material</b>	Fiberglass-reinforced PBT plastic
<b>Material of impeller</b>	Fiberglass-reinforced PBT plastic
<b>Motor protection</b>	Protected against reverse polarity and locking.

4414 M

# DC axial compact fan

## Product drawing



## Charts: Air flow

