

Electrical Characteristics

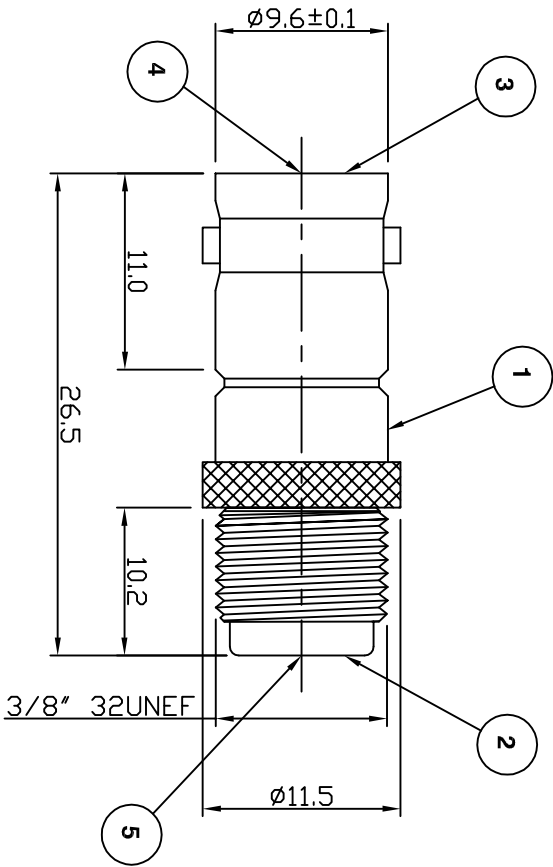
Nominal Impedance: Non constant
 Frequency Range: DC to 2 GHz

Mechanical Characteristics

Mating Cycles: 200 cycles minimum
 Interface Dimensions: Conform to MIL-C-39012

Environmental Characteristics

Temperature Range: -55 °C to +85 °C



PART	DESCRIPTION
1	Body Brass, nickel plated
2	Dielectric Polypropylene
3	Dielectric POM
4	Contact Brass, gold plated
5	Bobbin P Cu, nickel plated

Dimensional changes	JW	3	22 Jun 06
CAD Issue	SN	2	02 Oct 02
First Issue	IS	1	14 July 97
DESCRIPTION OF REVISION	APPVD	ISS	DATE

TITLE:

BNC Jack to F Jack

PART NUMBER:

VA216

SCALE: Not To Scale	DRAWN BY: J Williams
DIMENSIONS: mm	CHECKED BY: M Terry
TOLERANCES: ± 0.2mm unless otherwise stated	APPROVED BY: A Tusl
	DATE: 22 Jun 06

Connectivity Solutions
 7-13 Russel Way,
 Widford Industrial Estate,
 Chelmsford, Essex,
 CM1 3AA, UK.
 Tel: +44 (0) 1245 359515
 Fax: +44 (0) 1245 358938

