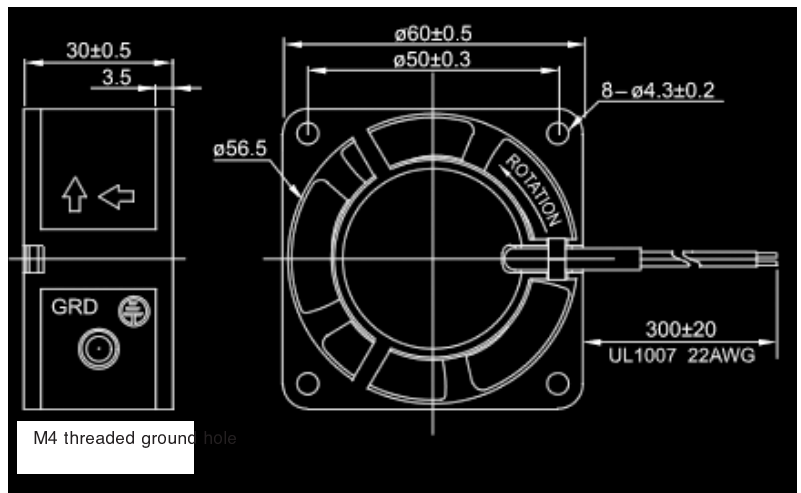


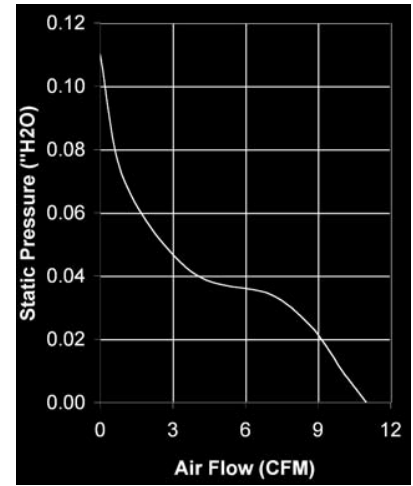
OA60 Series



60 x 30mm
(2.36" x 1.18")



Frame	Diecast Aluminum	<u>Operating Temperature</u> Ball Bearing -20C ~ +80C <u>Life Expectancy</u> Ball Bearing 60,000 hours (L10 at 40C)
Impeller	PBT, UL94V-O plastic	
Connection	2x Lead Wires 22 AWG	
Motor	Shaded pole, impedance protected	
Bearing System	Dual ball	
Insulation Resistance	>100M ohm between lead-wire and frame (500VDC)	
Dielectric Strength	1 min at 1500 VAC, 50/60Hz	



Part Number	OA60AP-11-1WB	OA60AP-22-1WB
Nominal Voltage	115VAC	230VAC
Voltage Range	80 ~ 130VAC	160 ~ 260VAC
Rated Power	4 W	4 W
Rated Speed (RPM)	3100	3100
Airflow (CFM)	11	11
Noise Level (dB)	28	28
Max. Static Pressure	0.11" H ₂ O	0.11" H ₂ O