

# Accessories

## Mounting accessories

### Spring washer for encoders with $\varnothing 58$ mm housing



#### Features

- Flexible spring coupling
- For applications with little radial misalignment

#### Description

Fix spring coupling onto flange by help of the attached screws. Push encoder onto the drive shaft and mount spring coupling onto the intended contact surface.

#### Part number

Z 119.023 Spring coupling for encoders with  $\varnothing 58$  mm housing

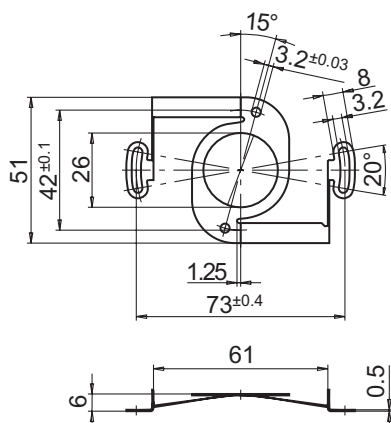
#### Scope of delivery

Included: spring coupling, four screws M3 x 6 with four spring washers

#### Suitable for

G0333 , G0A2H, G0M2H, GE333, GI330 , GI331 , GI332 , GI333 , GI341, GI342, GXA2S, GXM2S

#### Dimensions



#### Dimension

