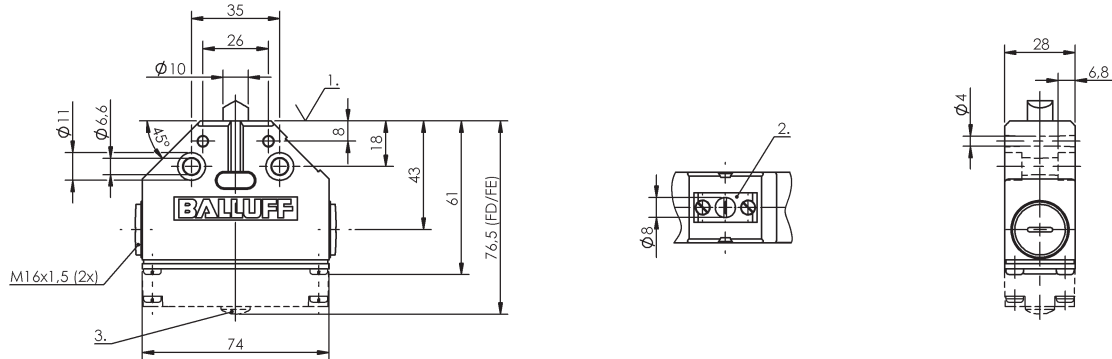


not available



1) Reference edge 2) Anti-crystall. plunger 3) Function indicator FD/FE/LL

Please note: This particular product is scheduled to be phased out. Only remaining stock is sold. More information can be found on [www.balluff.com](http://www.balluff.com). You may also get in touch with your local Balluff representative if you need additional assistance.

- Mech. single position
- Snap contact
- Ball



**General attributes**

Additional features None  
Approvals / Conformity CCC  
CE  
DIN switch DIN 43693  
Enclosure Type per IEC 60529 IP67  
Function indicator 1st pos.: none

**Electrical attributes**

Continuous current 1st pos.: 6 A  
Effective operating voltage Ue 1st pos.: 250 V AC

**Mechanical attributes**

Ambient temperature Ta max. 85 °C  
Ambient temperature Ta min. -5 °C  
Approach direction Any  
Approach speed 1st pos.: 8 m/min  
Connection 1. screw terminal  
Connector None  
Contact material 1st pos.: silver, gold plated  
Depth 61.0 mm  
Dist. cam to reference edge 1st pos.: 5 - 0.5 mm

Flange feedthrough

Height (H)  
Housing finish  
Housing material  
Mech. installation condition  
Mechanical life expectancy  
No. of switch positions  
Operating principle  
Plgr. dist. 1st switch pos.  
Plunger block  
Plunger diameter  
Plunger material  
Plunger style  
Spacing (T)  
Style  
Switching element  
Switching operation force  
Switching rate  
Type  
Version  
Width

None  
28.0 mm  
Eloxal  
Aluminum  
Any  
1st pos.: 30 mil. operations  
1 ST  
1st pos.: mechanical  
14 mm  
No  
10.0 mm  
1st pos.: stainless steel  
1st pos.: Ball  
None  
F 60 EGT  
1st pos.: BSE 30.0  
1st pos.: min. 20 N  
1st pos.: max. 300/min  
Mech. single position  
Snap contact  
74 mm