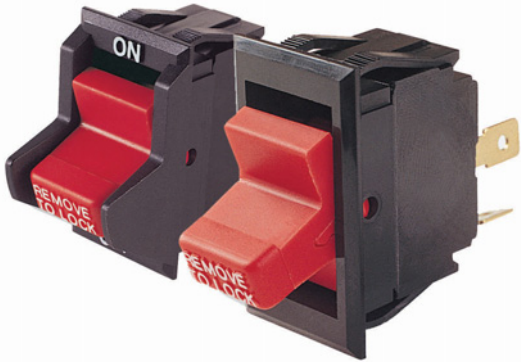


Locking Rockers



Contents

<i>Description</i>	<i>Page</i>
Locking Rockers	
Technical Data and Specifications	V11-T5-11
Circuit Diagrams	V11-T5-11
Dimensions	V11-T5-11

Product Description

This unique switch features a patented internal locking mechanism, which allows the switch to be locked in the OFF position to prevent unauthorized or accidental operation. The key to locking

or unlocking the switch is a removable paddle rocker cap, which must be inserted in order to move the switch to the ON position. The switch can still be turned OFF.

The locking rocker is ideally suited for such markets as portable tools, computers, lawn and garden equipment, marine and construction.

Standards and Certifications

- UL Recognized
- CSA Certified
- RoHS Compliant ①



Note: Contact your local Eaton Sales Representative for selection information and optional features.

Product Selection

Locking Rocker Switch

Rating ②	Poles and Throw	Circuit with Rocker in ...			Base Circuit (See Page V11-T5-11)	Catalog Number
		UP Position	CENTER Position	DOWN Position		
Without Palm Guard Feature						
20A, 125 Vac	1PST	ON	NONE	OFF	A	8166K27
20A, 250 Vac	1PDT	ON	NONE	ON	B	8166K28
1 hp, 125 Vac	2PST	ON	NONE	OFF	C	8166K25
2 hp, 250 Vac		ON	NONE	ON	D	8166K26
With Palm Guard Feature						
20A, 125 Vac	1PST	ON	NONE	OFF	A	8166K23
20A, 250 Vac	1PDT	ON	NONE	ON	B	8166K24
1 hp, 125 Vac	2PST	ON	NONE	OFF	C	8166K21
2 hp, 250 Vac		ON	NONE	ON	D	8166K22

Notes

- ① Visit www.eaton.com/vcbu for the most up-to-date list of verified part numbers.
- ② Ratings listed for 125 Vac also apply at 28 Vdc. Also supplied with a 20A, 277 Vac rating as standard.

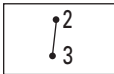
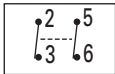
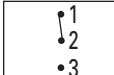

Technical Data and Specifications

Locking Rocker Switch

Description	Specification
Contact mechanism	Butt action contact mechanism designed specifically for use on AC and low voltage DC applications
Contact material	Movable—Silver-plated copper w/cad-oxide contact face button Stationary—Copper w/cad-oxide contact face button
Terminal types	0.25 in spade terminals are standard
Rocker material	Custom styled, red thermoplastic rocker key with "REMOVE TO LOCK" across the top of the key in raised letters
Dielectric	1000V rms minimum

Circuit Diagrams

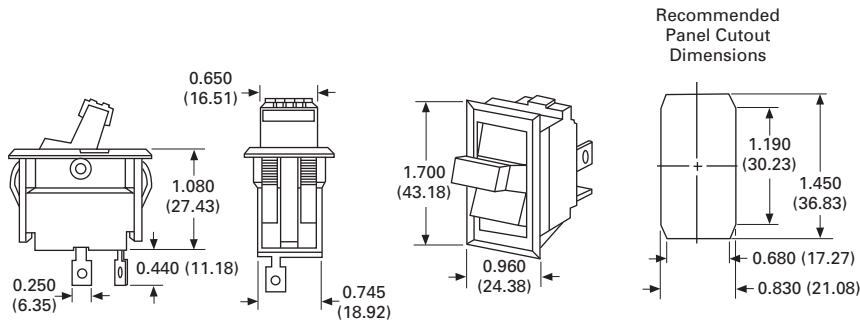
Locking Rocker Circuit Diagrams

Circuit Letter	Schematic	Circuit Letter	Schematic
A 1PST		C 2PST	
B 1PDT		D 2PDT	

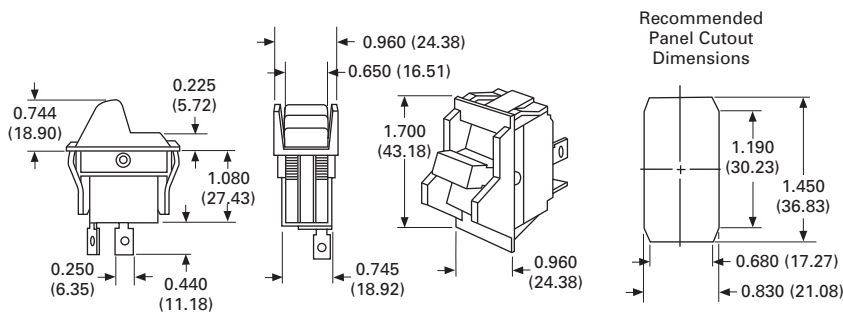
Dimensions

Approximate Dimensions in Inches (mm)

Locking Rocker Switch without Palm Guard



Locking Rocker Switch with Palm Guard



Index

A

AC, 2
ac, 1
accidental, 1
across, 2
action, 2
allows, 1
Also, 1
also, 1
and, 1-2
applications, 2
apply, 1
Approximate, 2
are, 2
as, 1
at, 1-2

B

Base, 1
be, 1
Butt, 2
button, 2

C

CA, 1-2
cad, 2
call, 1-2
can, 1
cap, 1
Catalog, 1
CENTER, 1
Certificationsa, 1
Certifiedswitch, 1
Circuit, 1-2
com, 1-2
Commercial, 1-2
Compliant, 1
computers, 1
construction, 1
Contact, 1-2
contact, 2
Contents, 1
Controls, 1-2
Copper, 2
copper, 2
CSA, 1
Custom, 2
Cutout, 2

D

Data, 1-2
date, 1
DC, 2
Delivery, 1-2
Description, 1-2
designed, 2
Devices, 1-2
Diagrams, 1-2
Dielectric, 2
Dimensions, 1-2
DOWNPosition, 1

E

Eaton, 1
eaton, 1-2
equipment, 1

F

face, 2
Feature, 1
features, 1
For, 1-2
for, 1-2

G

garden, 1
Guard, 1-2

H

hp, 1

I

ideally, 1
Immediate, 1-2
in, 1-2
Inches, 2
information, 1
inserted, 1
internal, 1
is, 1

K

key, 1-2
KMParts, 1-2

L

lawn, 1
Letter, 2
letters, 2
list, 1
listed, 1
local, 1
LOCK, 2
locked, 1
Locking, 1-2
locking, 1
low, 2

M

March, 1-2
marine, 1
markets, 1
material, 2
mechanism, 1-2
minimum, 2
mm, 2
most, 1
Movable, 2
move, 1
must, 1

N

NONE, 1
Note, 1
Notes, 1
Number, 1
numbers, 1

O

of, 1-2
OFF, 1
ON, 1
on, 2
operation, 1
optional, 1
or, 1-2
order, 1
oxide, 2

P

paddle, 1
Page, 1
Palm, 1-2
Panel, 2
part, 1
patented, 1
PDT, 1-2
plated, 2
Poles, 1
portable, 1
Position, 1
position, 1
prevent, 1
Product, 1
PST, 1-2

R

raised, 2
Rating, 1
rating, 1
Ratings, 1
Recognized, 1
Recommended, 2
red, 2
removable, 1
REMOVE, 2
Representative, 1
rms, 2
Rocker, 1-2
rocker, 1-2
Rockers, 1-2
RoHS, 1

S

Sales, 1
Schematic, 2
See, 1

■ Index

Selection, 1
selection, 1
Silver, 2
spade, 2
Special, 1-2
specifically, 2
Specification, 2
Specifications, 1-2
standard, 1-2
Standards, 1
Stationary, 2
still, 1
styled, 2
such, 1
suited, 1
supplied, 1
Support, 1-2
Switch, 1-2
switch, 1

T

Tech, 1-2
Technical, 1-2
Terminal, 2
terminals, 2
The, 1
the, 1-2
thermoplastic, 2
This, 1
Throw, 1
TO, 2
to, 1
tools, 1
top, 2
turned, 1
types, 2

U

UL, 1
unauthorized, 1
unique, 1
unlocking, 1

UP, 1
up, 1
use, 2

V

Vac, 1
vcbu, 1
Vdc, 1
Vehicle, 1-2
verified, 1
Visit, 1
voltage, 2
Volume, 1-2

W

which, 1
With, 1
with, 1-2
Without, 1
without, 2
www, 1-2

Y

your, 1