

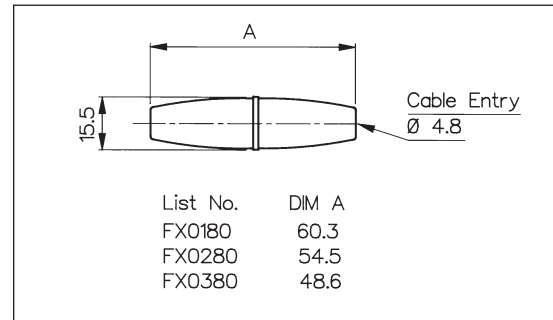
In-Line PC1 and In-Line Sealed to IP66, PC1

IN-LINE



FX0180, FX0280, FX0380

- Protection Category PC1
- Fuse Sizes 5 x 20mm, 6.3 x 25mm and 6.3 x 32mm
- Screw Terminal (Solder to order)
- 10A, 50V (250V Inaccessible)
- UL Approved (Black versions only)
- Clear or black

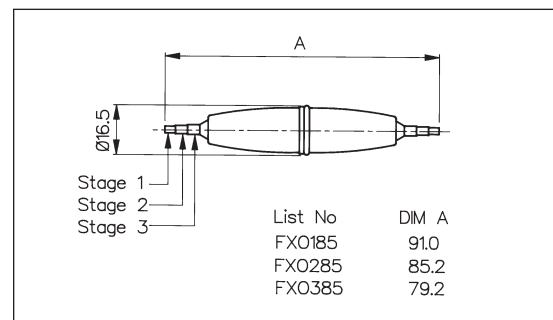


IN-LINE



FX0185, FX0285, FX0385

- Sealed to IP66
- Protection Category PC1
- Fuse Sizes 5 x 20mm, 6.3 x 25mm and 6.3 x 32mm
- Screw Terminal (Solder to order)
- 10A, 50V (250V Inaccessible)
- UL Approved (Black versions only)
- Clear or black



Specification	FX0180, FX0280, FX0380/Colour	FX0185, FX0285, FX0385/Colour
Fuse Size:	5 x 20mm FX0380 6.3 x 25mm FX0280 6.3 x 32mm FX0180	5 x 20mm FX0385 6.3 x 25mm FX0285 6.3 x 32mm FX0185
Cable Acceptance:	1mm ² conductor (max.)	1mm ² conductor (max.) 1mm to 2.64mm overall diameter Stepped grommet: Stage 1: 1.00mm to 1.40mm Stage 2: 1.50mm to 1.90mm Stage 3: 2.0mm to 2.64mm
Terminations:	Screw terminal (solder to order)	Screw Terminal (solder to order)
Max. Rating:	10A, 50V (250V where inaccessible inside equipment)	10A, 50V (250V where inaccessible inside equipment)
Insulation Resistance:	> 10 ⁵ M @ 500V d.c.	> 10 ⁵ M @ 500V d.c.
High Voltage Proof Test:	2kV (50Hz for 1 minute)	2kV (50Hz for 1 minute)
Contact Resistance:	< 10m	< 10m
Operating Temp.: (ambient air temp + fuse temp rise)	-20°C to +90°C	-20°C to +70°C
Sealing:		Protection Classification IP66 BS60529: 1992
Mouldings:		
Body - Clear:	Polybutene UL94HB rated	Polybutene UL94HB rated
Body - Black:	Nylon 6 UL94V-0 rated	Nylon 6 UL94V-0 rated
Grommet:		PVC
O Ring:		Nitrile
Contacts:		
Terminals:	Brass, Nickel Plated	Brass, Nickel Plated
Grub Screw:	Stainless Steel	Stainless Steel
Approvals:	(Black versions only)	(Black versions only)
Colour:	Clear - no suffix, /BK - Black	Clear - no suffix, /BK - Black
RoHS	Compliant	Compliant