

METAL[®] WORK

P N E U M A T I C

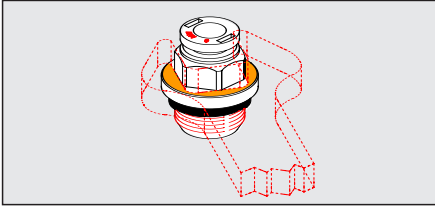


C A T A L O G N P T
P U S H - I N F I T T I N G S

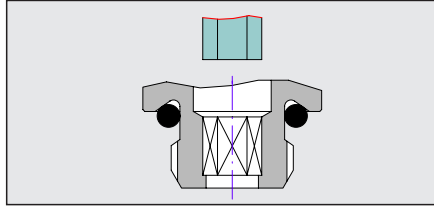


OTHER ADVANTAGES OF METAL WORK FITTINGS

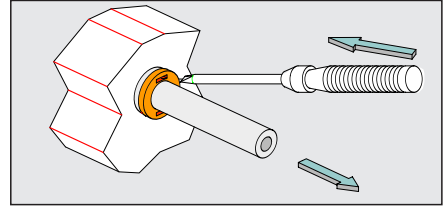
- Tighten by open end or box wrench



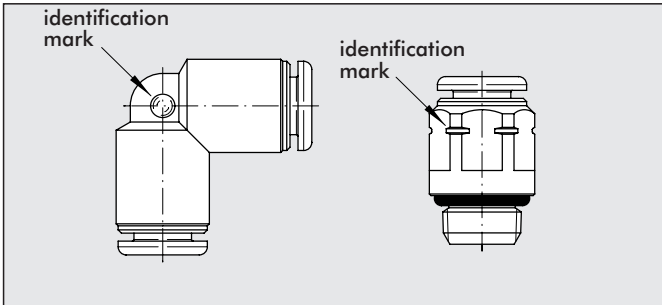
- Tighten by allen wrench, available in straight configuration



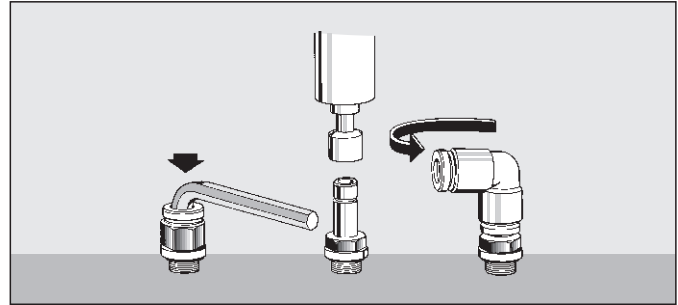
- Slot to facilitate release with a screw driver



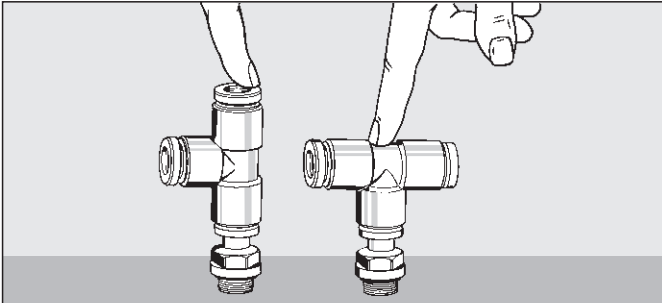
GENERAL FEATURES



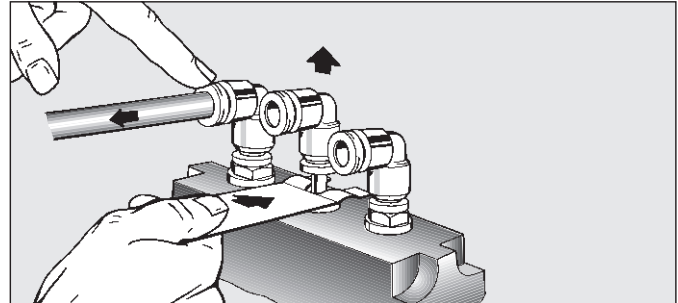
Identification mark for fractional pipe fittings in inches or with NPT thread. NB: threadless fittings for 1/8, 5/32 and 5/16 pipes do not bear an identification mark as they are used in Europe.



Mounting fittings with an Allen wrench or pneumatic tool. All the elbows and tees are rotary. Drastic reduction in assembly times.

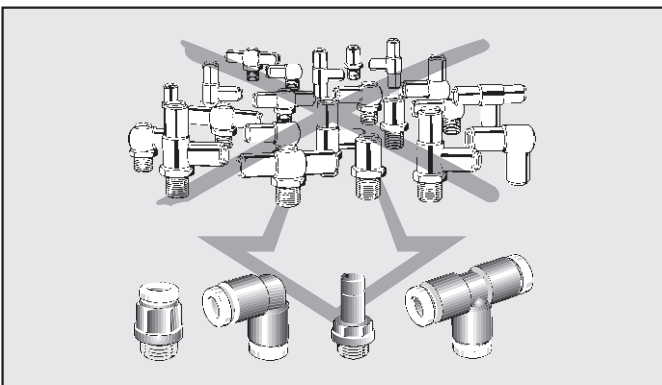


A single tee can give central tees and lateral tees.



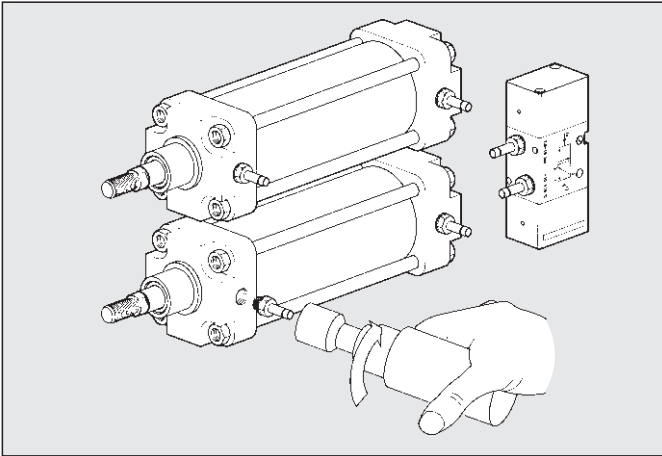
The pipe is easy to assemble by pressing lightly on the pusher ring. To remove the fitting, merely push radially on the key.

FROM AN IDEA, A SYSTEM



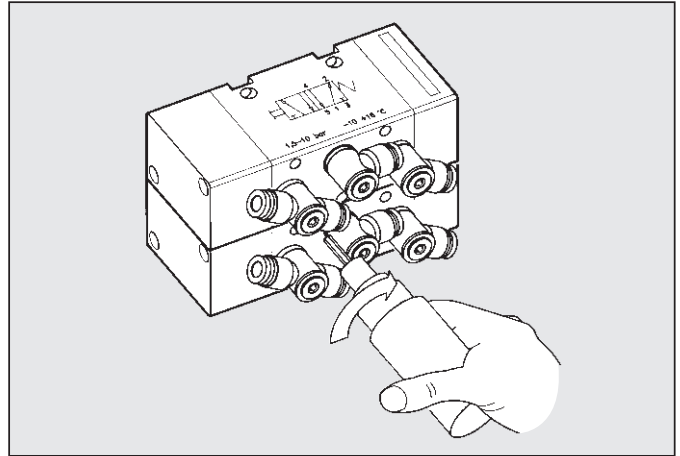
- Four basic fittings can be used to make all possible connections in a pneumatic circuit.
- Sharp drop in the number of fittings to be stocked and hence reduced operating costs.

ASSEMBLY DIAGRAM

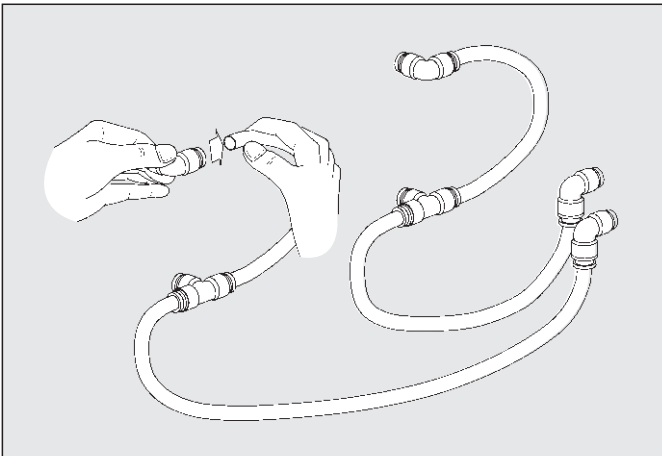


Pre-assembling fittings on the workbench with a pneumatic tool even with very close center distances.

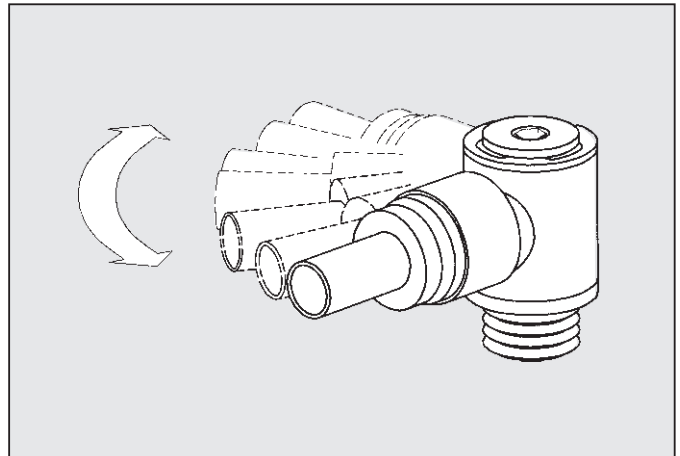
FROM A SYSTEM, INNOVATION



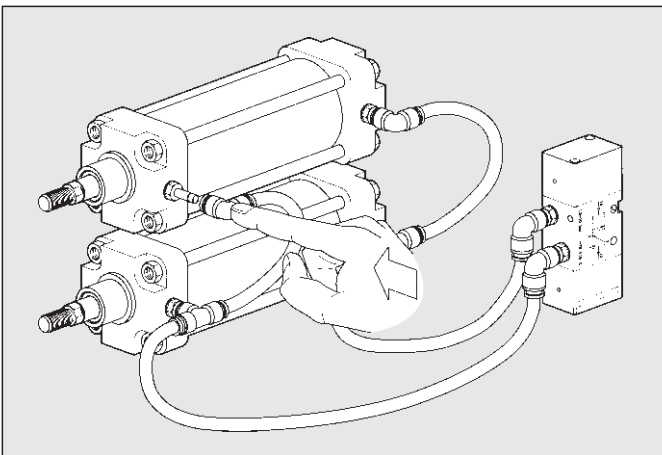
An Allen wrench is used to assemble rotary fittings even with very close center distances.



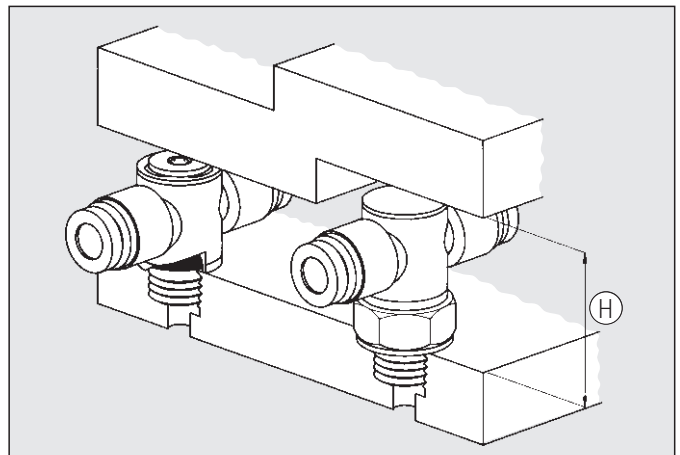
Pre-assembling fittings and pipe sections on the workbench. Pre-assembled configurations can be stocked for assembly in series.



The special configuration with two O-rings allows maximum orientation so as to follow pipe movement in the specific application.



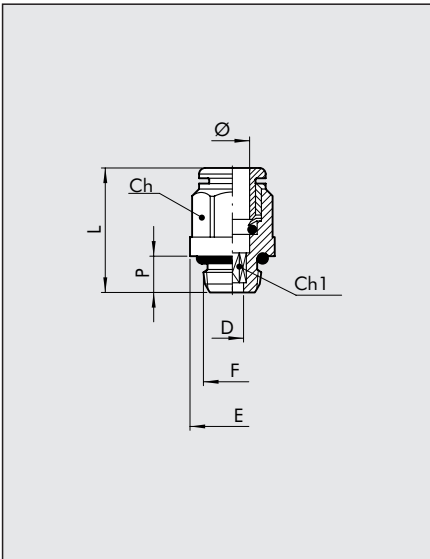
Quick connection and completion of the pneumatic circuit.



Fittings with a built-in gasket and reduced height (H) with the same threaded coupling and pipe diameter.

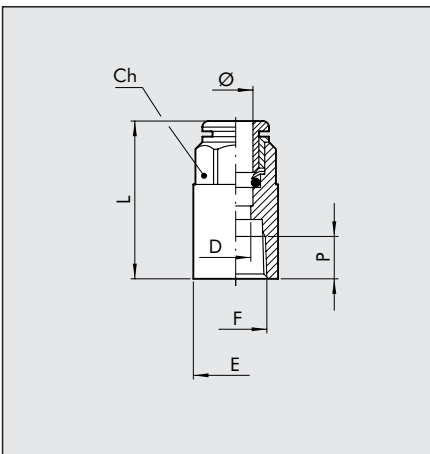
NPT TUBE FITTINGS

RU1 - MALE CONNECTORS



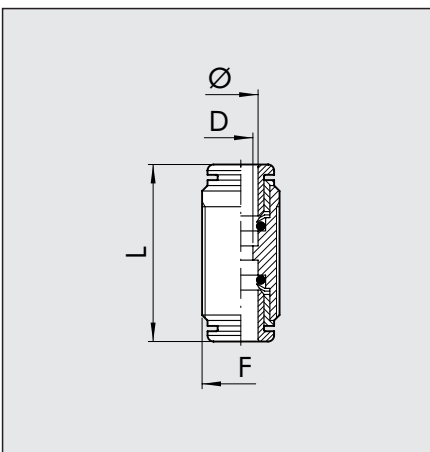
MW Part. No.	Ref	ø	F	Ch		Ch1		P	L	D	E
				Inc	mm	Inc	mm				
2U01A02	RU1	1/8	10/32 UNF	—	—	5/64	2	0,14	0,51	0,08	0,23
2U01A03	RU1	1/8	1/8 NPT	5/16	8	5/64	2	0,24	0,54	0,08	0,51
2U01001	RU1	5/32	10/32 UNF	—	—	5/64	2	0,16	0,77	0,08	0,35
2U01002	RU1	5/32	1/8 NPT	0,394	10	0,118	3	0,24	0,68	0,12	0,51
2U01003	RU1	5/32	1/4 NPT	0,394	10	0,118	3	0,31	0,72	0,12	0,65
2U01000	RU1	1/4	10/32 UNF	—	—	5/64	2	0,16	0,84	0,08	0,43
2U01007	RU1	1/4	1/8 NPT	0,472	12	0,157	4	0,24	0,81	0,16	0,51
2U01008	RU1	1/4	1/4 NPT	0,472	12	0,157	4	0,31	0,76	0,16	0,65
2U01020	RU1	1/4	3/8 NPT	0,472	12	0,157	4	0,35	0,81	0,16	0,79
2U01009	RU1	5/16	1/8 NPT	0,512	13	0,197	5	0,24	0,96	0,20	0,55
2U01010	RU1	5/16	1/4 NPT	0,551	14	0,236	6	0,31	0,96	0,24	0,65
2U01011	RU1	5/16	3/8 NPT	0,551	14	0,236	6	0,35	0,86	0,24	0,79
2U01012	RU1	3/8	1/4 NPT	5/8	16	0,276	7	0,31	1,12	0,28	0,69
2U01013	RU1	3/8	3/8 NPT	5/8	16	5/16	8	0,35	1,02	0,32	0,79
2U01021	RU1	3/8	1/2 NPT	5/8	16	5/16	8	0,43	1,04	0,32	0,96
2U01014	RU1	1/2	3/8 NPT	0,866	22	0,394	10	0,35	1,28	0,4	0,79
2U01015	RU1	1/2	1/2 NPT	0,866	22	0,394	10	0,43	1,18	0,4	0,96

RU2 - FEMALE CONNECTORS



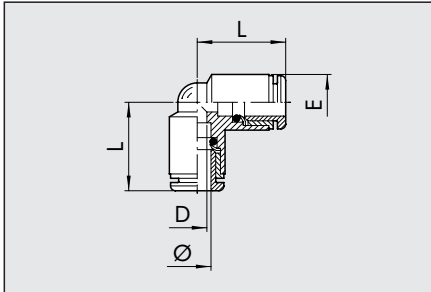
MW Part. No.	Ref	ø	F	Ch		P	L	D	E
				Inc	mm				
2U02A03	RU2	1/8	1/8 NPT	5/16	8	0,28	0,82	0,09	0,55
2U02001	RU2	5/32	1/8 NPT	0,394	10	0,28	1,02	0,12	0,55
2U02002	RU2	5/32	1/4 NPT	0,394	10	0,28	1,09	0,12	0,67
2U02005	RU2	1/4	1/8 NPT	0,472	12	0,28	1,03	0,20	0,55
2U02006	RU2	1/4	1/4 NPT	0,472	12	0,28	1,11	0,20	0,67
2U02007	RU2	5/16	1/8 NPT	0,512	13	0,28	1,07	0,28	0,55
2U02008	RU2	5/16	1/4 NPT	0,551	14	0,28	1,15	0,28	0,67

RU3 - STRAIGHT UNION



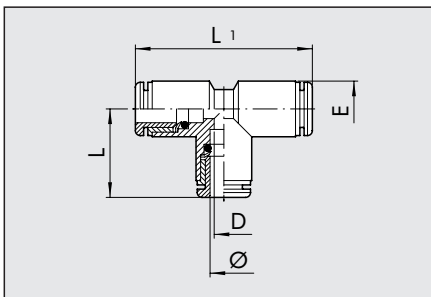
MW Part. No.	Ref	ø	F	L	D
2003A01	R3	1/8	M8X0.75	0,72	0,08
2L03001	RL3	5/32	M11X1	1,13	0,10
2U03003	RU3	1/4	M13X1	1,23	0,18
2L03004	RL3	5/16	M15X1	1,33	0,26
2U03005	RU3	3/8	M17X1	1,49	0,31
2U03006	RU3	1/2	M22X1	1,7	0,39

RU4 - UNION ELBOWS



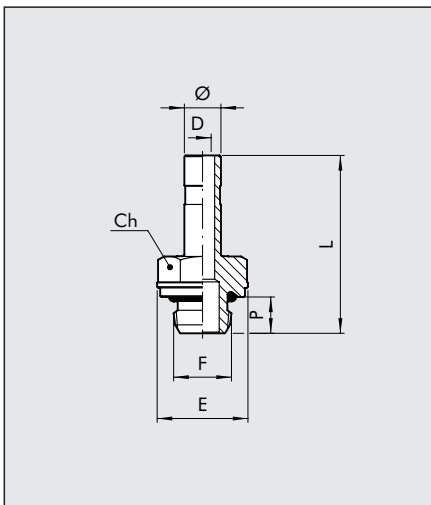
MW Part. No.	Ref.	ø	L	D	E
2004A01	R4	1/8	0,41	0,08	0,25
2L04001	RL4	5/32	0,63	0,10	0,37
2U04003	RU4	1/4	0,72	0,18	0,45
2L04004	RL4	5/16	0,81	0,26	0,53
2U04005	RU4	3/8	0,93	0,31	0,61
2U04006	RU4	1/2	1,07	0,43	0,81

RU5 - UNION TEES



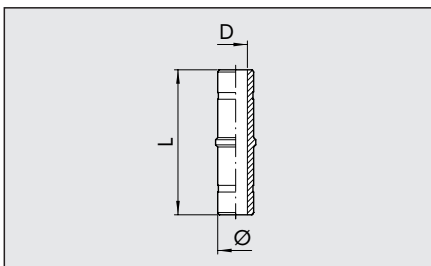
MW Part. No.	Ref.	ø	L	L1	D	E
2005A01	R5	1/8	0,41	0,82	0,08	0,25
2L05001	RL5	5/32	0,63	1,26	0,10	0,37
2U05003	RU5	1/4	0,72	1,44	0,18	0,45
2L05004	RL5	5/16	0,81	1,63	0,26	0,53
2U05005	RU5	3/8	0,91	1,82	0,31	0,61
2U05006	RU5	1/2	1,07	2,14	0,43	0,81

RU6 - STEM ADAPTORS



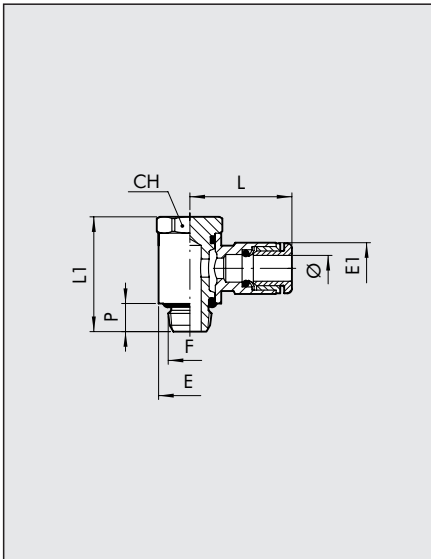
MW Part. No.	Ref.	ø	F	Ch		P	L	D	E
				Inc	mm				
2U06A01	RU6	1/8	10/32 UNF	0,197	5	0,14	0,73	0,08	0,23
2U06A02	RU6	1/8	1/8 NPT	0,472	12	0,24	0,89	0,08	0,51
2U06001	RU6	5/32	10/32 UNF	5/16	8	0,16	0,99	0,08	0,35
2U06002	RU6	5/32	1/8 NPT	0,472	12	0,24	1,09	0,10	0,51
2U06003	RU6	5/32	1/4 NPT	0,551	14	0,31	1,19	0,10	0,65
2U06000	RU6	1/4	10/32 UNF	5/16	8	0,16	1,01	0,08	0,35
2U06007	RU6	1/4	1/8 NPT	0,472	12	0,24	1,11	0,16	0,51
2U06008	RU6	1/4	1/4 NPT	0,551	14	0,31	1,20	0,16	0,65
2U06020	RU6	1/4	3/8 NPT	0,669	17	0,35	1,31	0,16	0,79
2U06009	RU6	5/16	1/8 NPT	0,472	12	0,24	1,15	0,22	0,51
2U06010	RU6	5/16	1/4 NPT	0,551	14	0,31	1,24	0,24	0,65
2U06011	RU6	5/16	3/8 NPT	0,669	17	0,35	1,35	0,24	0,79
2U06012	RU6	3/8	1/4 NPT	0,551	14	0,31	1,37	0,29	0,65
2U06013	RU6	3/8	3/8 NPT	0,669	17	0,35	1,48	0,29	0,79
2U06022	RU6	3/8	1/2 NPT	0,748	19	0,43	1,57	0,29	0,96
2U06014	RU6	1/2	3/8 NPT	0,669	17	0,35	1,55	0,41	0,79
2U06015	RU6	1/2	1/2 NPT	0,748	19	0,43	1,64	0,41	0,96

RU7 - STRAIGHT CONNECTORS



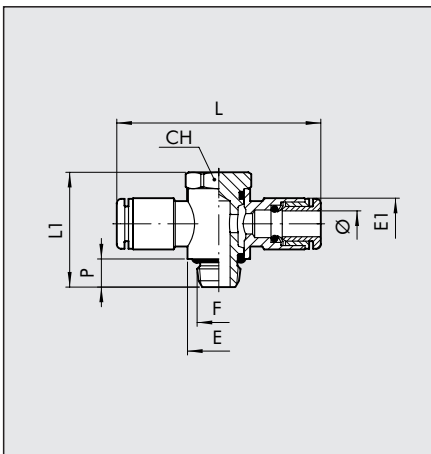
Cod.	Ref.	ø	L	D
2007001	R7	5/32	1,34	0,08
2U07003	RU7	1/4	1,40	0,16
2L07004	RL7	5/16	1,48	0,24
2U07005	RU7	3/8	1,73	0,29
2U07006	RU7	1/2	1,89	0,41

RU54 - SINGLE BANJO



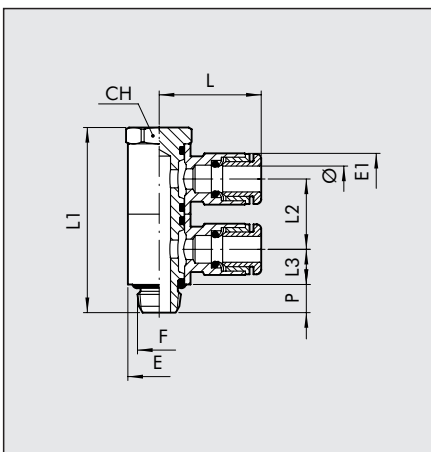
MW Part. No.	Ref.	ø	F	Ch		P	L	L1	E	E1
				Inc	mm					
2U54001	RU54	5/32	10/32 UNF	0,354	9	0,18	0,74	0,74	0,37	0,37
2U54002	RU54	5/32	1/8 NPT	0,512	13	0,24	0,74	0,99	0,55	0,37
2U54007	RU54	1/4	10/32 UNF	0,354	9	0,18	0,89	0,74	0,37	0,46
2U54008	RU54	1/4	1/8 NPT	0,512	13	0,24	0,89	0,99	0,55	0,46
2U54009	RU54	1/4	1/4 NPT	5/8	16	0,32	0,95	1,15	0,71	0,46
2U54010	RU54	5/16	1/8 NPT	0,512	13	0,24	0,95	0,99	0,55	0,54
2U54011	RU54	5/16	1/4 NPT	5/8	16	0,32	1,02	1,15	0,71	0,54
2U54012	RU54	5/16	3/8 NPT	0,787	20	0,35	1,11	1,39	0,83	0,54
2U54013	RU54	3/8	1/4 NPT	5/8	16	0,32	1,23	1,15	0,71	0,63
2U54014	RU54	3/8	3/8 NPT	0,787	20	0,35	1,26	1,39	0,83	0,63
2U54016	RU54	1/2	3/8 NPT	0,787	20	0,39	1,44	1,39	0,83	0,8
2U54017	RU54	1/2	1/2 NPT	0,984	25	0,49	1,5	1,57	1,02	0,8

RU55 - DOUBLE BANJO



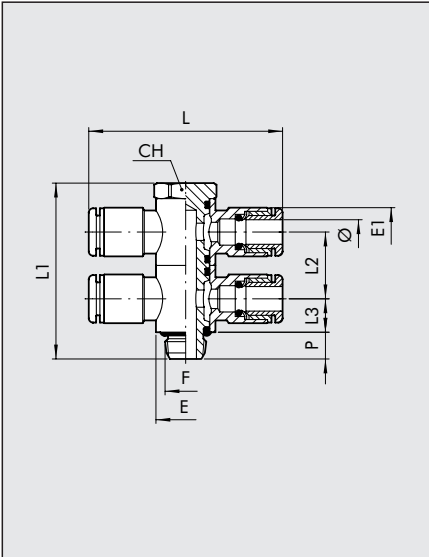
MW Part. No.	Ref.	ø	F	Ch		P	L	L1	E	E1
				Inc	mm					
2U55001	RU55	5/32	10/32 UNF	0,354	9	0,18	1,47	0,74	0,37	0,37
2U55002	RU55	5/32	1/8 NPT	0,512	13	0,24	1,47	0,99	0,55	0,37
2U55007	RU55	1/4	10/32 UNF	0,354	9	0,18	1,77	0,74	0,37	0,46
2U55008	RU55	1/4	1/8 NPT	0,512	13	0,24	1,77	0,99	0,55	0,46
2U55009	RU55	1/4	1/4 NPT	5/64	16	0,32	1,91	1,15	0,71	0,46
2U55010	RU55	5/16	1/8 NPT	0,512	13	0,24	1,91	0,99	0,55	0,54
2U55011	RU55	5/16	1/4 NPT	5/64	16	0,32	2,04	1,15	0,71	0,54
2U55012	RU55	5/16	3/8 NPT	0,787	20	0,35	2,21	1,39	0,83	0,54
2U55013	RU55	3/8	1/4 NPT	5/64	16	0,32	2,46	1,15	0,71	0,63
2U55014	RU55	3/8	3/8 NPT	0,787	20	0,35	2,53	1,39	0,83	0,63
2U55016	RU55	1/2	3/8 NPT	0,787	20	0,39	2,88	1,39	0,83	0,8
2U55017	RU55	1/2	1/2 NPT	0,984	25	0,49	3	1,57	1,02	0,8

RU56 - DOUBLE STACKING BANJO, 2 PIPE CONNECTIONS



MW Part. No.	Ref.	ø	F	Ch		P	L	L1	L2	L3	E	E1
				Inc	mm							
2U56001	RU56	5/32	10/32 UNF	0,354	9	0,18	0,74	1,19	0,45	0,23	0,37	0,37
2U56002	RU56	5/32	1/8 NPT	0,512	13	0,24	0,74	1,60	0,61	0,31	0,55	0,37
2U56007	RU56	1/4	10/32 UNF	0,354	9	0,18	0,89	1,19	0,45	0,23	0,37	0,46
2U56008	RU56	1/4	1/8 NPT	0,512	13	0,24	0,89	1,60	0,61	0,31	0,55	0,46
2U56009	RU56	1/4	1/4 NP	5/8	16	0,32	0,95	1,83	0,68	0,34	0,71	0,46
2U56010	RU56	5/16	1/8 NPT	0,512	13	0,24	0,95	1,60	0,61	0,31	0,55	0,54
2U56011	RU56	5/16	1/4 NPT	5/8	16	0,32	1,02	1,83	0,68	0,34	0,71	0,54
2U56012	RU56	5/16	3/8 NPT	0,787	20	0,35	1,11	2,24	0,84	0,42	0,83	0,54
2U56013	RU56	3/8	1/4 NPT	5/8	16	0,32	1,23	1,83	0,68	0,34	0,71	0,63
2U56014	RU56	3/8	3/8 NPT	0,787	20	0,35	1,26	2,24	0,84	0,42	0,83	0,63
2U56016	RU56	1/2	3/8 NPT	0,787	20	0,39	1,44	2,24	0,84	0,42	0,83	0,8
2U56017	RU56	1/2	1/2 NPT	0,984	25	0,49	1,5	2,52	0,94	0,47	1,02	0,8

**RU57 - DOUBLE STACKING BANJO,
4 PIPE CONNECTIONS**

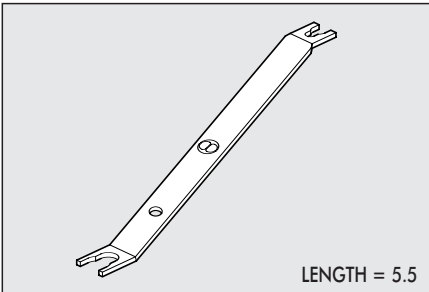


MW Part. No.	Ref.	ø	F	Ch		P	L	L1	L2	L3	E	E1
				Inc	mm							
2U57001	RU57	5/32	10/32 UNF	0,354	9	0,18	1,47	1,19	0,45	0,23	0,37	0,37
2U57002	RU57	5/32	1/8 NPT	0,512	13	0,24	1,47	1,60	0,61	0,31	0,55	0,37
2U57007	RU57	1/4	10/32 UNF	0,354	9	0,18	1,77	1,19	0,45	0,23	0,37	0,46
2U57008	RU57	1/4	1/8 NPT	0,512	13	0,24	1,77	1,60	0,61	0,31	0,55	0,46
2U57009	RU57	1/4	1/4 NPT	5/8	16	0,32	1,91	1,83	0,68	0,34	0,71	0,46
2U57010	RU57	5/16	1/8 NPT	0,512	13	0,24	1,91	1,60	0,61	0,31	0,55	0,54
2U57011	RU57	5/16	1/4 NPT	5/8	16	0,32	2,04	1,83	0,68	0,34	0,71	0,54
2U57012	RU57	5/16	3/8 NPT	0,787	20	0,35	2,21	2,24	0,84	0,42	0,83	0,54
2U57013	RU57	3/8	1/4 NPT	5/8	16	0,32	2,46	1,83	0,68	0,34	0,71	0,63
2U57014	RU57	3/8	3/8 NPT	0,787	20	0,35	2,53	2,24	0,84	0,42	0,83	0,63
2U57016	RU57	1/2	3/8 NPT	0,787	20	0,39	2,89	2,24	0,84	0,42	0,83	0,8
2U57017	RU57	1/2	1/2 NPT	0,984	25	0,49	3	2,52	0,94	0,47	1,02	0,8

ACCESSORIES

RL17 - DISASSEMBLY KEY

MW Part. No. Ref. ø tube



2L17001 RL17 from Ø 1/8 to Ø 3/8

NOTES

PUSH-IN FITTINGS

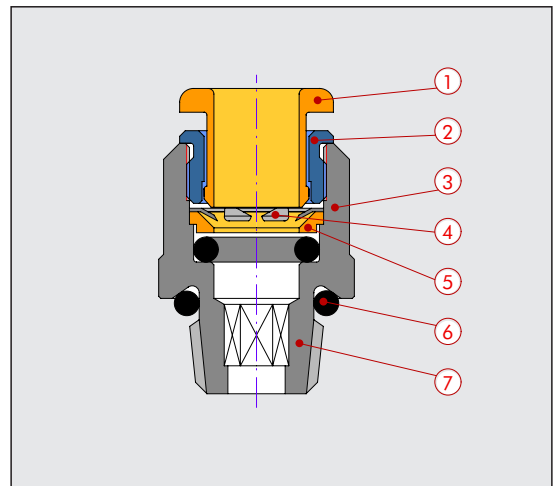
Metal Work fittings are the best elements for connecting pipes and actuators. Quick and easy to use, the Metal Work push-in fittings can be re-used thousands of times without affecting the pneumatic and mechanical seal in any way. It comes in various configurations and guarantees a virtually unlimited, highly flexible use. The clamping spring with its special shape grips the pipe without scratching or deforming it, which facilitates release. In the RL fittings Ø4 and Ø8, the release bushing has patented screwdriver slots to facilitate release in applications not accessible by hand. The seal of the thread is guaranteed due to a special, captivated, O-ring integral to the fitting.



TECHNICAL DATA		
Threaded coupling		10/32 UNF - 1/8 NPT - 1/4 NPT - 3/8 NPT - 1/2 NPT
Diameter	mm	1/8 - 5/32 - 1/4 - 5/16 - 3/8 - 1/2
Temperature range	°C	-20°C ÷ 70°C
	°F	-4°F ÷ 158°F
Pressure range	psi	-14... to ...260
	bar	-0,99... to ...18
Recommended pipe		Rilsan PA 11 - Nylon 6 - Polyamide 12 - Polypropylene
Fluid		Vacuum - Compressed air

COMPONENTS

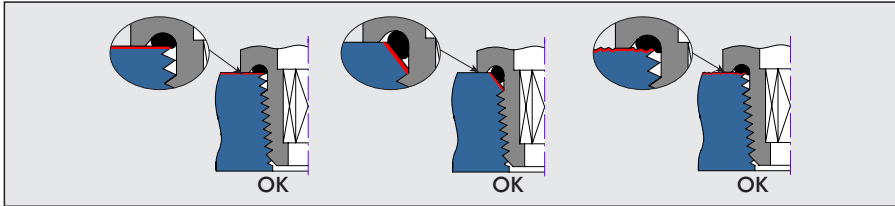
- ① Release button: technopolymer
- ② Stop button: brass
- ③ Body: nickel-plated brass
- ④ Spring: stainless steel (for pipes Ø1/8: brass gripper)
- ⑤ Spring ring: technopolymer
- ⑥ O-ring Seals: Buna-N
- ⑦ NPT thread



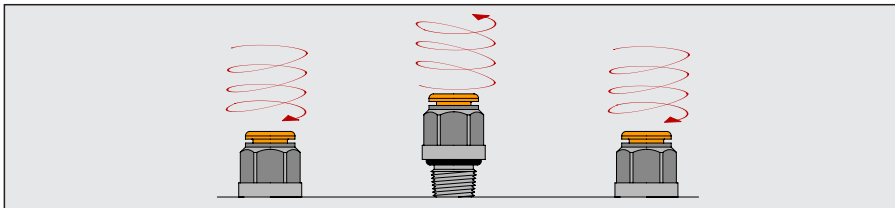
O-RING BELOW R FITTINGS

Thread	Initials	Dimensions of O-ring
1/8	2031	7.66x1.78
1/4	2043	10.82x1.78
3/8	2056	14x1.78
1/2	3068	17.13x2.62

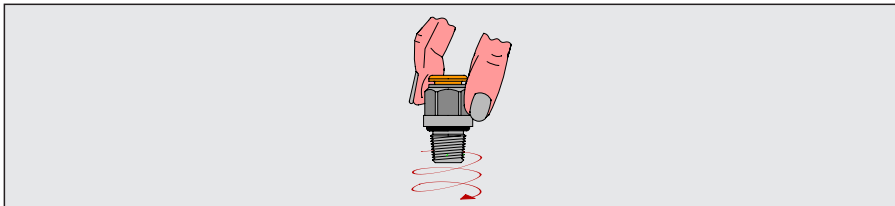
THE METAL WORK SOLUTION WITH CAPTIVATED O-RING



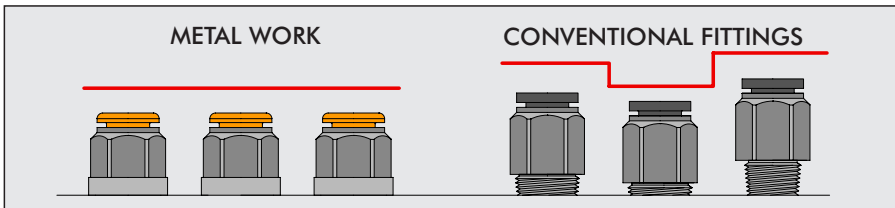
- Perfect seal even on flat, conical and raw surfaces.



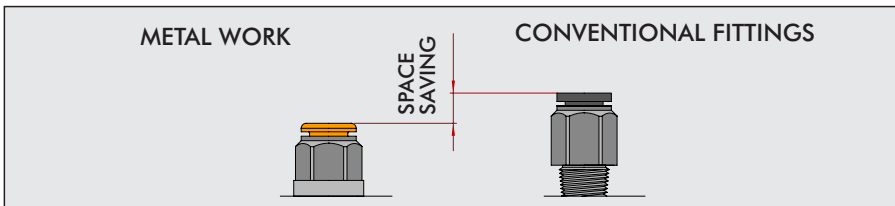
- Can be re-used thousands of times.



- The pneumatic seal is obtained by simply screwing the fitting in by hand. Tighten firmly without forcing to prevent unscrewing.



- Constant height of the mounted fitting irregardless of the tolerance of the thread, or to the torque.

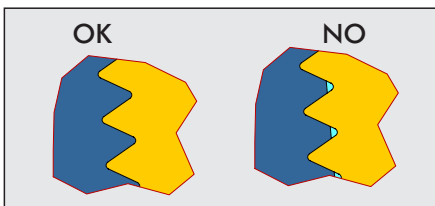


- Reduced fitting height

THE NEW SOLUTION OFFERS NUMEROUS ADVANTAGES OVER CONVENTIONAL SOLUTIONS:

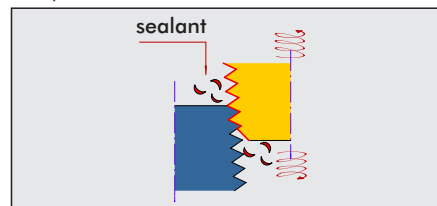
Solution with **NPTF Dry seal thread**

- It operates correctly if the male and female thread are made exactly to standard, otherwise there will be air leaks.



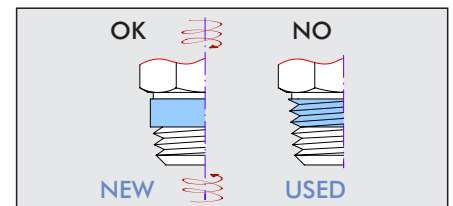
Solution with **thread coated with teflon or other sealant**

- A limited number of assemblies is possible after which there will be no seal.
- Particles of sealant detach from the fitting or enter the compressed air system, which affects cleanness of the compressed air.

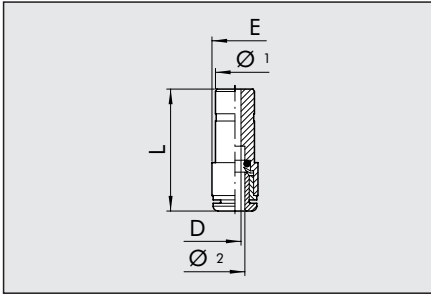


Solution with **teflon or rubber ring on the thread**

- Guaranteed seal with just a few turns.

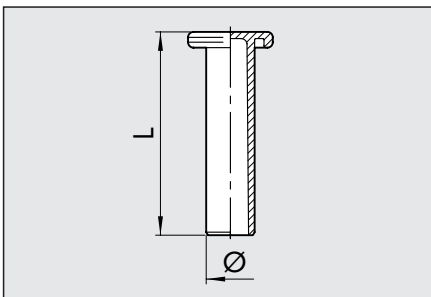


RU8 - PLUG IN REDUCERS



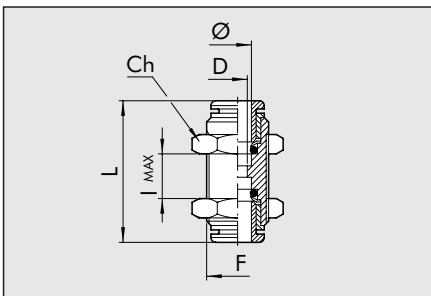
MW Part. No.	Ref.	ø1	ø2	L	D	E
2008A02	R8	5/32	1/8	1,02	0,08	0,25
2U08002	RU8	1/4	5/32	1,15	0,10	0,39
2L08004	RL8	5/16	5/32	1,09	0,10	0,37
2U08006	RU8	5/16	1/4	1,23	0,18	0,46
2U08007	RU8	3/8	1/4	1,36	0,20	0,46
2U08011	RU8	1/2	5/16	1,35	0,28	0,57
2U08015	RU8	1/2	3/8	1,46	0,31	0,63

RU9 BLANKING PLUGS IN PLASTIC



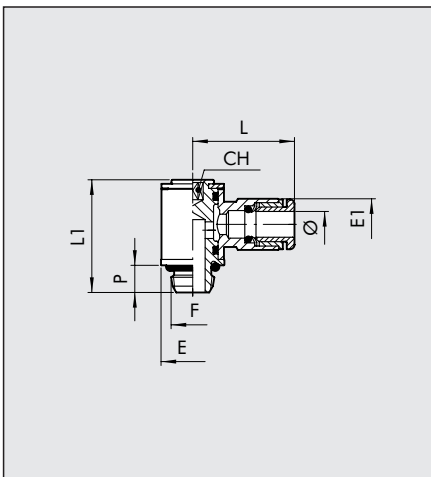
MW Part. No.	Ref.	ø	L
2L10A01	RL9T	1/8	0,77
2L10001	RL9T	5/32	1,06
2U10003	RU9	1/4	1,17
2L10004	RL9T	5/16	1,32
2U10005	RU9	3/8	1,45
2L10A01	RU9	1/2	1,54

RU10 - BULKHEAD UNIONS



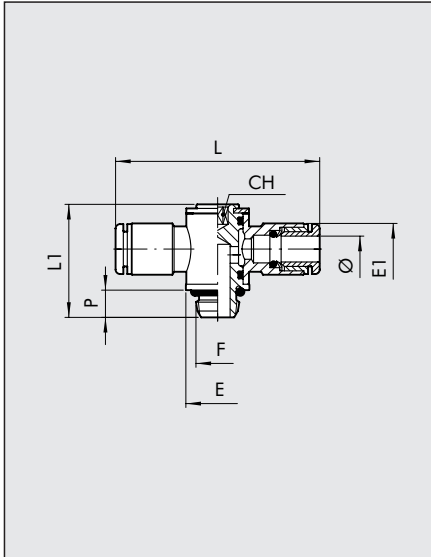
MW Part. No.	Ref.	ø	F	Ch		L	D	lmax
				Inc	mm			
2011A01	R10	1/8	M8X0.75	0,394	10	0,72	0,08	0,20
2L11001	RL10	5/32	M11X1	0,512	13	1,13	0,10	0,43
2U11003	RU10	1/4	M13X1	5/8	16	1,23	0,18	0,47
2L11004	RL10	5/16	M15X1	0,669	17	1,33	0,26	0,53
2U11005	RU10	3/8	M17X1	0,787	20	1,49	0,31	0,67
2U11006	RU10	1/2	M22X1	0,984	25	1,7	0,39	0,74

RU15 - ROTARY FITTINGS SINGLE



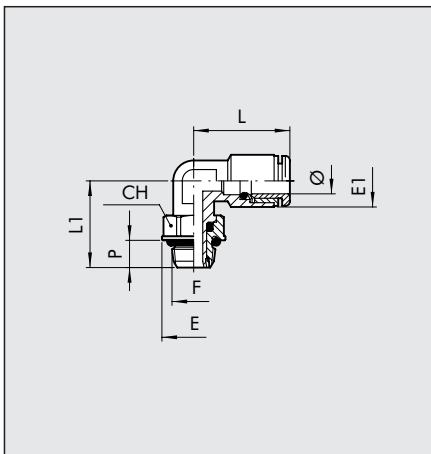
MW Part. No.	Ref.	ø	F	Ch		P	L	L1	E	E1
				Inc	mm					
2U14104	RU15	1/8	10/32 UNF	5/64	2	0,16	0,50	0,55	0,23	0,28
2U14001	RU15	5/32	10/32 UNF	5/64	2	0,16	0,74	0,74	0,31	0,37
2U14002	RU15	5/32	1/8 NPT	0,118	3	0,24	0,74	1,01	0,51	0,37
2U14106	RU15	1/4	10/32 UNF	5/64	2	0,16	0,89	0,74	0,31	0,46
2U14005	RU15	1/4	1/8 NPT	0,118	3	0,24	0,89	1,01	0,51	0,46
2U14007	RU15	1/4	1/4 NPT	5/32	4	0,31	0,95	1,17	0,65	0,46
2U14006	RU15	5/16	1/8 NPT	0,118	3	0,24	0,95	1,01	0,51	0,54
2U14008	RU15	5/16	1/4 NPT	5/32	4	0,31	1,02	1,17	0,65	0,54
2U14013	RU15	5/16	3/8 NPT	0,197	5	0,35	1,11	1,40	0,79	0,54
2U14009	RU15	3/8	1/4 NPT	5/32	4	0,31	1,23	1,17	0,65	0,65
2U14014	RU15	3/8	3/8 NPT	0,197	5	0,35	1,26	1,40	0,79	0,63
2U14011	RU15	1/2	3/8 NPT	0,197	5	0,35	1,44	1,4	0,79	0,79
2U14012	RU15	1/2	1/2 NPT	0,315	8	0,43	1,5	1,6	0,96	0,8

RU16 - ROTARY FITTINGS DOUBLE



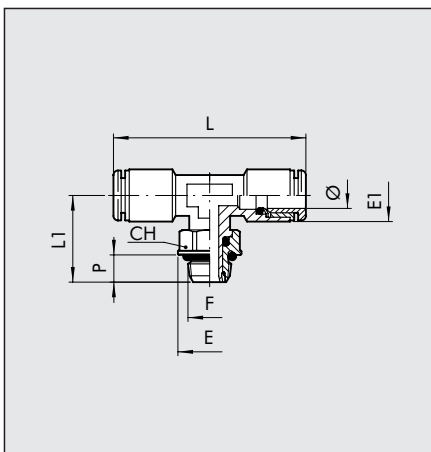
MW Part. No.	Ref.	ø	F	Ch		P	L	L1	E	E1
				Inc	mm					
2U15001	RU16	5/32	10/32 UNF	5/64	2	0,16	1,47	0,74	0,31	0,37
2U15002	RU16	5/32	1/8 NPT	5/64	2	0,24	1,47	1,01	0,51	0,37
2U15106	RU16	1/4	10/32 UNF	0,118	3	0,16	1,77	0,74	0,31	0,46
2U15005	RU16	1/4	1/8 NPT	5/64	2	0,24	1,77	1,01	0,51	0,46
2U15007	RU16	1/4	1/4 NPT	0,118	3	0,31	1,91	1,17	0,65	0,46
2U15006	RU16	5/16	1/8 NPT	5/32	4	0,24	1,91	1,01	0,51	0,54
2U15008	RU16	5/16	1/4 NPT	0,118	3	0,31	2,04	1,17	0,65	0,54
2U15013	RU16	5/16	3/8 NPT	5/32	4	0,35	2,21	1,40	0,79	0,54
2U15009	RU16	3/8	1/4 NPT	0,197	5	0,31	2,46	1,17	0,65	0,65
2U15014	RU16	3/8	3/8 NPT	5/32	4	0,35	2,53	1,40	0,79	0,63
2U15011	RU16	1/2	3/8 NPT	0,197	5	0,35	2,88	1,4	0,79	0,79
2U15012	RU16	1/2	1/2 NPT	0,315	8	0,43	3	1,6	0,96	0,8

RU31 - MALE ELBOWS



MW Part. No.	Ref.	ø	F	Ch		P	L	L1	E	E1
				Inc	mm					
2U31001	RU31	5/32	10/32 UNF	0,354	9	0,16	0,69	0,60	0,39	0,37
2U31002	RU31	5/32	1/8 NPT	0,472	12	0,24	0,69	0,75	0,51	0,37
2U31003	RU31	5/32	1/4 NPT	0,551	14	0,31	0,69	0,83	0,65	0,37
2U31007	RU31	1/4	10/32 UNF	0,354	9	0,16	0,82	0,60	0,39	0,46
2U31008	RU31	1/4	1/8 NPT	0,472	12	0,24	0,82	0,75	0,51	0,46
2U31009	RU31	1/4	1/4 NPT	0,551	14	0,31	0,82	0,83	0,65	0,46
2U31010	RU31	5/16	1/8 NPT	0,472	12	0,24	0,96	0,75	0,51	0,54
2U31011	RU31	5/16	1/4 NPT	0,551	14	0,31	0,96	0,83	0,65	0,54
2U31012	RU31	5/16	3/8 NPT	0,669	17	0,35	0,93	1,07	0,79	0,54
2U31013	RU31	3/8	1/4 NPT	0,551	14	0,31	1,04	0,86	0,65	0,63
2U31014	RU31	3/8	3/8 NPT	0,669	17	0,35	1,04	1,07	0,79	0,63
2U31015	RU31	3/8	1/2 NPT	0,866	22	0,43	1,04	1,18	0,96	0,63
2U31017	RU31	1/2	3/8 NPT	0,67	17	0,35	1,19	1,11	0,79	0,79
2U31018	RU31	1/2	1/2 NPT	0,866	22	0,43	1,19	1,2	0,96	0,79

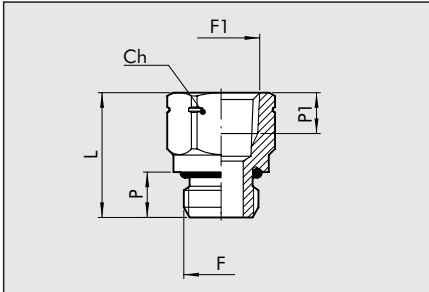
RU32 - BRANCH TEES



MW Part. No.	Ref.	ø	F	Ch		P	L	L1	E	E1
				Inc	mm					
2U32002	RU32	5/32	1/8 NPT	0,472	12	0,24	1,39	0,75	0,51	0,37
2U32003	RU32	5/32	1/4 NPT	0,551	14	0,31	1,39	0,83	0,65	0,37
2U32008	RU32	1/4	1/8 NPT	0,472	12	0,24	1,65	0,75	0,51	0,46
2U32009	RU32	1/4	1/4 NPT	0,551	14	0,31	1,65	0,83	0,65	0,46
2U32010	RU32	5/16	1/8 NPT	0,472	12	0,24	1,91	0,75	0,51	0,54
2U32011	RU32	5/16	1/4 NPT	0,551	14	0,31	1,91	0,83	0,65	0,54
2U32012	RU32	5/16	3/8 NPT	0,669	17	0,35	1,87	1,07	0,79	0,54
2U32013	RU32	3/8	1/4 NPT	0,551	14	0,31	2,09	0,86	0,65	0,63
2U32014	RU32	3/8	3/8 NPT	0,669	17	0,35	2,09	1,07	0,79	0,63
2U32015	RU32	3/8	1/2 NPT	0,866	22	0,43	2,08	1,18	0,96	0,63
2U32017	RU32	1/2	3/8 NPT	0,67	17	0,35	2,38	1,11	0,79	0,79
2U32018	RU32	1/2	1/2 NPT	0,866	22	0,43	2,38	1,2	0,96	0,79

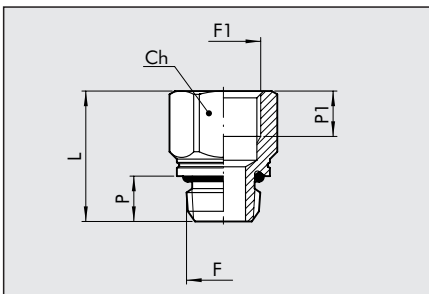
NPT FITTINGS SERIES A

AU5/G - NPT FEMALE BSP MALE ADAPTORS



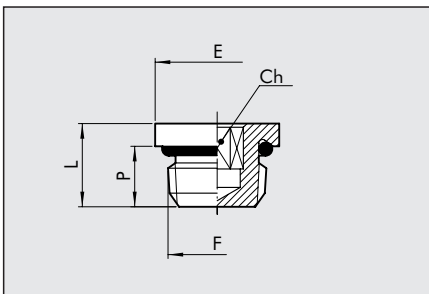
MW Part. No.	Ref.	F	F1	Ch		P	P1	L
				Inc	mm			
2105100U	AU5/G	M5	10/32 UNF	5/16	8	0,16	0,18	0,46
2105101U	AU5/G	G1/8	1/8 NPT	0,551	14	0,24	0,28	0,73
2105103U	AU5/G	G1/4	1/4 NPT	0,669	17	0,31	0,28	0,87
2105105U	AU5/G	G3/8	3/8 NPT	0,866	22	0,35	0,37	1,03
2105107U	AU5/G	G1/2	1/2 NPT	0,984	25	0,43	0,37	1,16

AU5/N - NPT MALE BSP FEMALE ADAPTORS



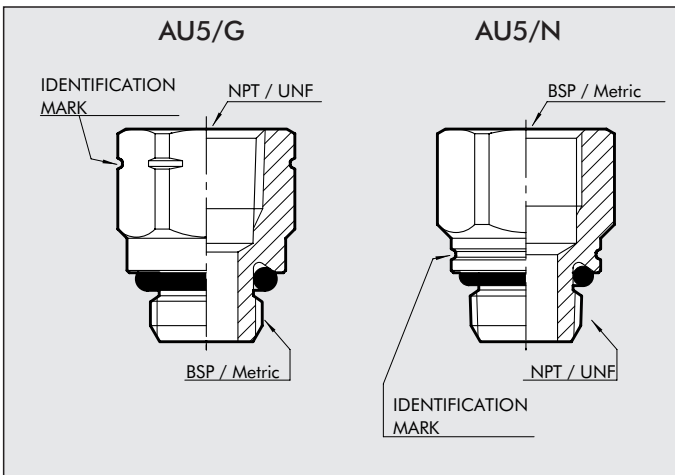
MW Part. No.	Ref.	F	F1	Ch		P	P1	L
				Inc	mm			
2105200U	AU5/N	10/32 UNF	M5	5/16	8	0,16	0,18	0,46
2105201U	AU5/N	1/8 NPT	G1/8	0,551	14	0,24	0,26	0,73
2105203U	AU5/N	1/4 NPT	G1/4	0,669	17	0,31	0,31	0,91
2105205U	AU5/N	3/8 NPT	G3/8	0,866	22	0,35	0,39	1,05
2105207U	AU5/N	1/2 NPT	G1/2	0,984	25	0,43	0,43	1,23

AU7 - BLANKING PLUGS



Cod.	Ref.	F	Inc	Ch		P	L	E
				mm				
2107000U	AU7	10/32 UNF	0,079	2	0,16	0,26	0,31	
2107001U	AU7	1/8 NPT	0,118	3	0,24	0,33	0,51	
2107002U	AU7	1/4 NPT	0,236	6	0,31	0,43	0,65	
2107003U	AU7	3/8 NPT	5/16	8	0,35	0,49	0,79	
2107004U	AU7	1/2 NPT	0,394	10	0,43	0,57	0,96	

IDENTIFICATION MARK FOR AU5



An identification mark near the NPT thread is used to distinguish it from the BSP thread.

