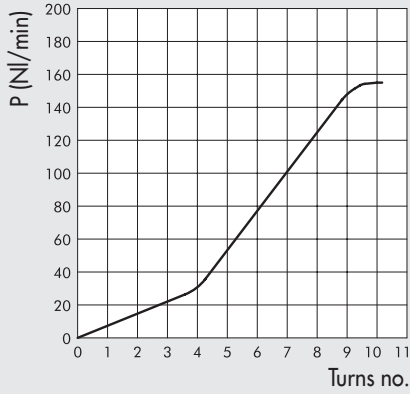
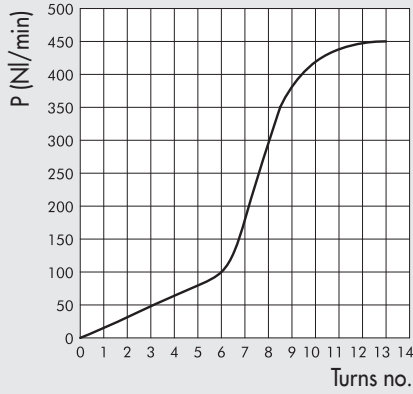


FLOW RATE CHARTS AT 6.3 bar DEPENDING ON THE TURNS EFFECTED BY THE REGULATION SCREW

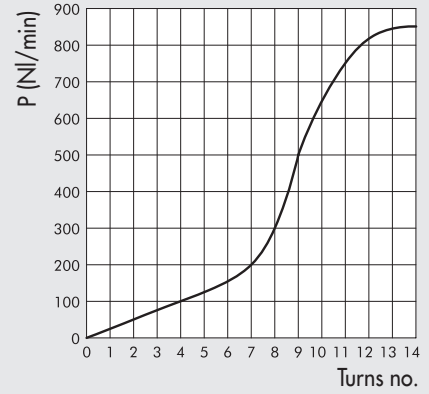
RFL L Ø 4



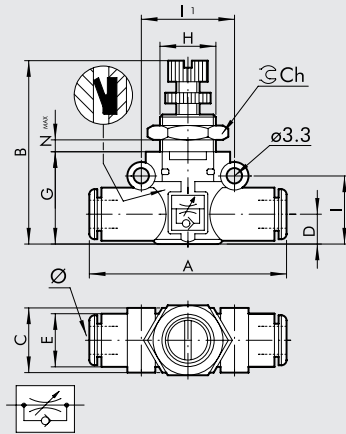
RFL L Ø 6



RFL L Ø 8

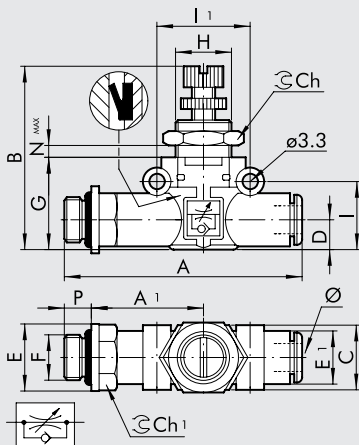


RFL L PIPE-PIPE UNIDIRECTIONAL



Code	Ref.	Ø	A	B	C	D	E	G	H	I	II	Ch	Nmax
9041301	RFL LU 4-4	4	42	33.5-36.5	10.7	5.6	10	17.5	M9x0.75	12.8	16	11	4
9041316	RFL LU 6-6	6	49.4	36-41	14.7	6.4	11.4	20	M12x0.75	14.6	20	15	4
9041324	RFL LU 8-8	8	57.3	44-49	18.7	9.1	13.8	26	M15x1	18.7	24	20	4.5

RFL L THREAD-PIPE UNIDIRECTIONAL CYLINDER VERSION



Code	Ref.	F	Ø	P	A	A1	B	C	D	E	E1	G	H	I	II	Ch	Ch1	Nmax
9041401	RFL LU M5-4	M5	4	4	47.7	22.7	33.5-36.5	10.7	5.6	9.9	10	17.5	M9x0.75	12.8	16	11	9	4
9041402	RFL LU 1/8-4	1/8	4	6	51.6	24.6	33.5-36.5	10.7	5.6	14	10	17.5	M9x0.75	12.8	16	11	12	4
9041408	RFL LU 1/8-6	1/8	6	6	58.5	27.8	36-41	14.7	6.4	14	11.4	20	M12x0.75	14.6	20	15	12	4
9041409	RFL LU 1/4-6	1/4	6	8	61.5	28.8	36-41	14.7	6.4	18	11.4	20	M12x0.75	14.6	20	15	14	4
9041410	RFL LU 1/8-8	1/8	8	6	66.2	31.8	44-49	18.7	9.1	15	13.8	26	M15x1	18.7	24	20	14	4.5
9041411	RFL LU 1/4-8	1/4	8	8	70.6	34.2	44-49	18.7	9.1	18	13.8	26	M15x1	18.7	24	20	14	4.5
9041412	RFL LU 3/8-8	3/8	8	9	72.2	34.8	44-49	18.7	9.1	22	13.8	26	M15x1	18.7	24	20	17	4.5