

max. 180 m³/h

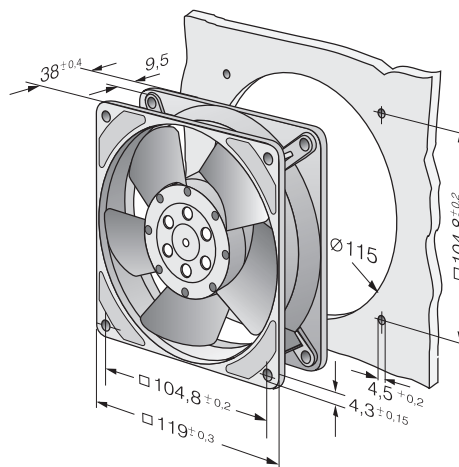
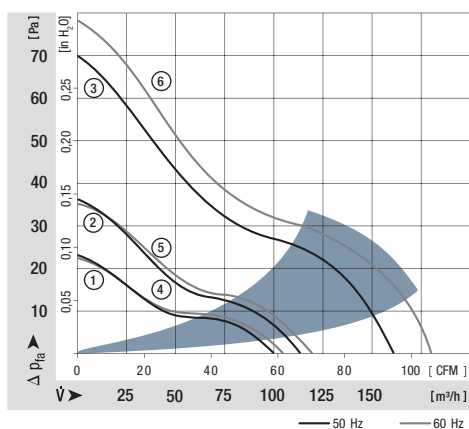
AC axial fans

Series 4000 Z 119 x 119 x 38 mm



- AC fans with external rotor shaded-pole motor. Impedance protected against overloading.
- Metal fan housing and impeller.
- Air exhaust over struts. Direction of rotation clockwise, seen on rotor.
- Electrical connection via 2 flat plugs 2.8 x 0.5 mm.
- Optionally available: Models with reinforced flanges and single leads.
- Fan housing with grounding lug and screw M4 x 8 (TORX).
- Mass: 540 g.
- Please note our new ACmaxx series. With identical mounting dimensions and voltages, this series achieves higher energy efficiency.

Nominal data	Air flow		Nominal voltage	Frequency	Sound pressure level	Sound power level	Sinter sleeve bearings Ball bearings	Power input	Nominal speed	Temperature range	Service life L ₁₀		Curve
	m ³ /h	CFM									at 40 °C	at T _{max}	
Type	m ³ /h	CFM	V	Hz	dB(A)	Bel(A)	□/■	Watts	RPM	°C	Hours	Hours	
4850 Z	100	58,9	230	50	26	4,0	□	13,0	1 700	-10...+65	50 000 / 27 500		1
4856 Z	100	58,9	230	50	26	4,0	■	13,0	1 700	-40...+75	50 000 / 20 000		1
4580 Z	115	67,7	230	50	30	4,3	□	13,0	1 900	-10...+65	50 000 / 27 500		2
4586 Z	115	67,7	230	50	30	4,3	■	13,0	1 900	-40...+75	50 000 / 20 000		2
4650 Z	160	94,2	230	50	40	5,3	□	19,0	2 650	-10...+50	37 500 / 30 000		3
4656 Z	160	94,2	230	50	40	5,3	■	19,0	2 650	-40...+75	37 500 / 17 500		3
4800 Z	105	61,6	115	60	28	4,1	□	12,0	1 800	-10...+70	52 500 / 25 000		4
4806 Z	105	61,6	115	60	28	4,1	■	12,0	1 800	-40...+75	52 500 / 17 500		4
4530 Z	120	70,6	115	60	32	4,4	□	12,0	2 000	-10...+70	52 500 / 25 000		5
4536 Z	120	70,6	115	60	32	4,4	■	12,0	2 000	-40...+75	52 500 / 17 500		5
4600 Z	180	105,9	115	60	45	5,6	□	18,0	3 100	-10...+60	40 000 / 25 000		6
4606 Z	180	105,9	115	60	45	5,6	■	18,0	3 100	-40...+85	40 000 / 15 000		6



Mouser Electronics

Authorized Distributor

Click to View Pricing, Inventory, Delivery & Lifecycle Information:

[ebm-papst:](#)

[4530Z](#) [4530ZW](#) [4536Z](#) [4600ZW](#) [4606ZW](#) [4624ZW](#) [4800ZW](#) [4806Z](#) [4606ZWU-879](#) [4606Z](#) [4650Z](#) [4656Z](#) [4800Z](#)
[4600Z](#)