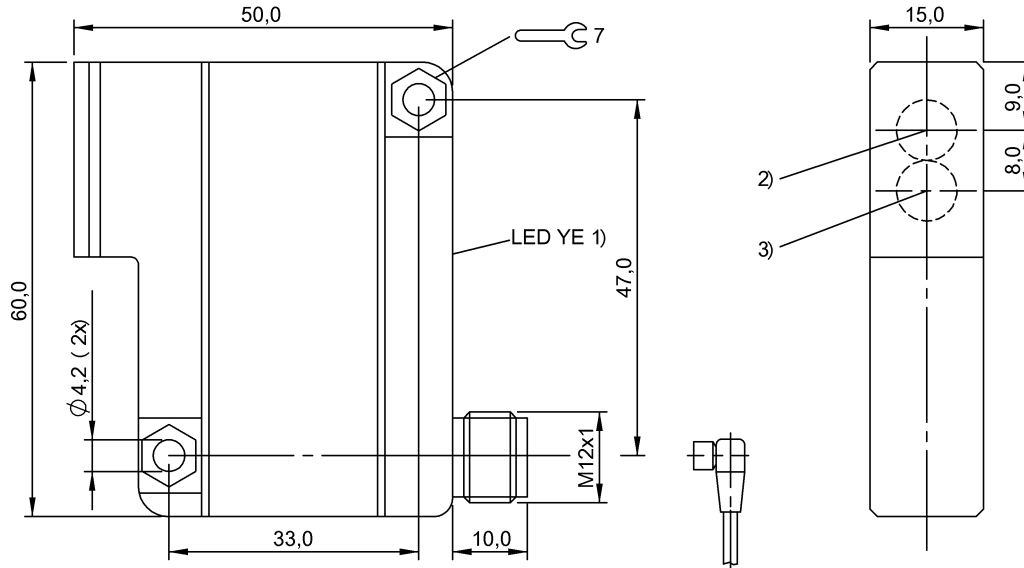
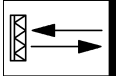


BOS 35K-PS-1UD-S4-C
Ordering code: BOS00U8

PNP (1x), NO (pin 4)
 LED, red light
 DC, direct current

BALLUFF
 sensors worldwide

Retroreflective sensor
 Series 35K
 Working range: bis 4 m



1) Output function, 2) Optical axis emitter, 3) Optical axis receiver

Characteristic data

Degree of protection as per IEC 60529	IP67
Protection class	II
Short-circuit protected	yes
Protected against polarity reversal	yes
Protected against reverse connection	yes
Indicator	Output function - LED YE
Adjuster	No
Reference reflector	BOS R-1
Switching freq. f max.	100 Hz

Optical data

Principle of optical operation	Retro-reflective sensor
Switching function, optical	NO: dark-on
Light type	LED, red light
Wavelength	660 nm
Ambient light max.	10,000 Lux
Polarising filter	yes

Electrical data

Operating voltage	10...30 V DC
Rated operating voltage Ue DC	24,0 V
Effective operating current Ie	200 mA

Rated insulation voltage Ui	250 V AC
Ready delay tv max.	100 ms
Utilisation category	DC 13
Load capacitance max. (at Ue)	1 µF
Output resistance Ra	33 kOhm
Off-state current Ir max.	50 µA
Ripple max. (% of Ue)	15 %
Switching output	PNP (1x)
Switching function	NO (pin 4)
Turn-off delay toff max.	5,00 ms
Turn-on delay ton max.	5,00 ms
No-load current max. Io at Ue	20 mA
Voltage drop Ud max. (at Ie)	2,5 V

Mechanical data

Connector type	M12x1-S04
Eff. switching distance Sr	4.000 mm
Shock rating	Half-sinus, 30gn, 11ms, 3x6
Vibration rating	10-55 Hz, 1 mm ampl., 3x30 min
Temp. drift max. (% of Sr)	10,0
Ambient temperature	-5...55 °C
Degree of contamination	3
Sensing surface material	PMMA
Housing material	PA12

BOS 35K-PS-1UD-S4-C
Ordering code: BOS00U8

Retroreflective sensor
Series 35K
Working range: bis 4 m

PNP (1x), NO (pin 4)
LED, red light
DC, direct current

BALLUFF
sensors worldwide

Mounting type	Screw M4
Contact surface protection	Gold plated
Design	Block, straight connection
Operating range R ₀	0...4 m
Beam characteristic	Divergent
Range S _n	S _n = 4 m

Basic data

Connection	Connector, M12x1-S04
Basic standard	IEC 60947-5-2

The sensor is functional again after the overload has been eliminated.
Polarizing filters prevent spurious switching due to reflecting and shiny parts.
Operating object (test target): Gray card, 200 x 200, 90 % remission, lateral approach, direction of movement vertical to plane of lens axes.
Mounting bracket included, order other accessories separately.
With connector, e.g. BKS-S 20-... total length = switch length + 18 mm.
Only for NFPA 79 applications (machines with a supply voltage of maximum 600 volts). Device shall be connected only by using any R/C (CYJV2) cord, having suitable ratings.

