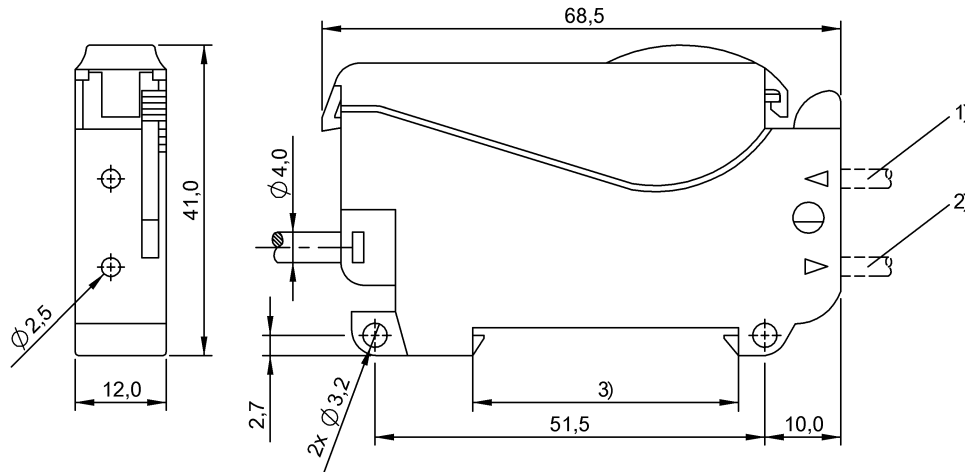
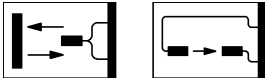


BOS 74K-UU-1FR-BO-Z-02
Ordering code: BOS003M

Fibre optics device
 Series 74K

PNP/NPN (1x), antivalent
 LED, red light
 DC, direct current

BALLUFF
 sensors worldwide



1) Receiver, 2) Emitter, 3) For DIN rail 35mm

Characteristic data

| | |
|---------------------------------------|--|
| Degree of protection as per IEC 60529 | IP66 |
| Short-circuit protected | yes |
| Protected against polarity reversal | yes |
| Indicator | Output function - LED RD |
| Duration of time function | 40...1000 ms |
| Input function | Test (Emitter off) |
| Setting | Delay time, Hysteresis, Light-on/dark-on, Time function, Sensitivity (Sn), Switching freq. 1000/666 Hz, Switching output PNP/NPN |
| Time function | Single pulse/Turn-off delay/Turn-on delay/Turn-on and -off delay |
| Adjuster | Jumper (1x)/Potentiometer 12-turn (1x)/Rotary switch 16 Pos. (1x)/Potentiometer 270° (2x) |
| Fibre optics connection | Ø2.2 mm |
| Switching freq. f max. | 1000 Hz |

Optical data

| | |
|--------------------------------|---------------------------|
| Principle of optical operation | Depending on fiber optics |
| Switching function, optical | Light-on/dark-on |
| Light type | LED, red light |

| | |
|--------------------|------------|
| Wavelength | 660 nm |
| Ambient light max. | 10,000 Lux |

Electrical data

| | |
|-----------------------------------|----------------------|
| Operating voltage | 10...30 V DC |
| Rated operating voltage Ue DC | 24.0 V |
| Effective operating current Ie | 200 mA |
| Rated insulation voltage Ui | 75 V DC |
| Ready delay tv max. | 100 ms |
| Utilisation category | DC 13 |
| Hysteresis H max. (in % of Sr) | 10 % |
| Load capacitance max. (at Ue) | 1 µF |
| Output resistance Ra | 22 kOhm |
| Ripple max. (% of Ue) | 10 % |
| Switching output | PNP/NPN (1x) |
| Switching function | NO/NC |
| Turn-off delay toff max. | 0.5 ms |
| Turn-on delay ton max. | 0.5 ms |
| No-load current max. Io at Ue | 40 mA |
| Voltage drop Ud max. (at Ie) | 2.5 V |
| Supplementary output | Error output PNP/NPN |
| Switch func. supplementary output | NO/NC |

BOS 74K-UU-1FR-BO-Z-02
Ordering code: BOS003M

Fibre optics device
 Series 74K

PNP/NPN (1x), antivalent
 LED, red light
 DC, direct current

BALLUFF
sensors worldwide

Mechanical data

| | |
|----------------------------|------------------------------|
| Number of conductors | 5 |
| Cable short designation | Li9Y11Y-O |
| Cable length | 2 m |
| Conductor cross-section | 0.14 mm ² |
| Eff. switching distance Sr | Depending on fiber optics |
| Shock rating | Half-sinus, 30 gn, 11ms, 3x6 |
| Vibration rating | 55 Hz, 1 mm ampl., 3x30 min |
| Ambient temperature | -10...60 °C |
| Housing material | PBT |
| Cable jacket material | PUR |
| Cable diameter D max. | 4,0 mm |

Mounting type

DIN rail 35 mm

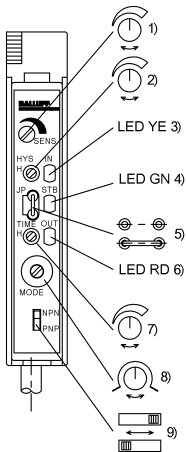
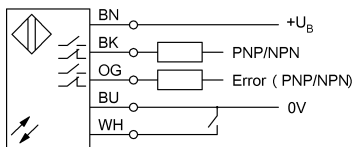
Design
 Range Sn

Screw M3
 Block, straight connection
 Sn depending on fiber optics

Basic data

Connection
 Basic standard
 The sensor is functional again after the overload has been eliminated.
 Order accessories separately.
 For additional information, refer to user's guide.

Cable, 2m, PUR
 IEC 60947-5-2



- 1) Sensitivity
- 2) Hysteresis
- 3) Light reception
- 4) Stability
- 5) Output function
- 6) Delay time
- 7) Light-on/dark-on, time func.
- 8) PNP/NPN