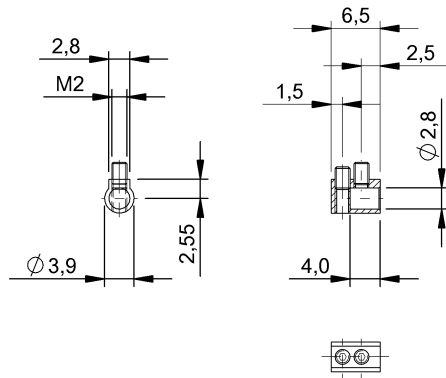


**BMF 303-HW-28**  
**Ordering code: BAM00KZ**  
 mounting bracket

**BMF Mounting clamp**



**Mechanical data**

Tightening torque max.	0.2 Nm
Ambient temperature Ta min.	-40 °C
Ambient temperature Ta max.	85 °C
Surface protection	Nickel-plated
Tightening torque for clamping	0.2 Nm
Slut style	
Material	CuZn
Mounting of holder	
Mounting of sensor	

**Basic data**

Application	AB300
Basic standard	BMF 303
Mounting instruction	acc. to mentioned standards
Scope of delivery	825590
	Mounting clamp

**Remarks**

US Patent No. 6, 637, 279

Definitions see main catalog

subject to change