

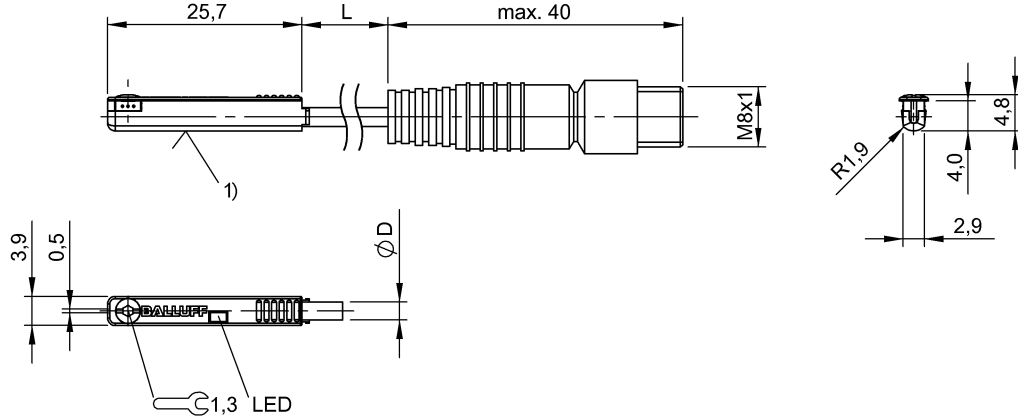
BMF 273K-PS-C-2A-SA2-S49-00,3
Ordering code: BMF002R

PNP, Normally open (NO)

BALLUFF

sensors worldwide

Sensors for cylinders
 BMF 273
 Cylinder housing: C-slot



Characteristic data

Short-circuit protected	yes
Protected against polarity reversal	yes
Protected against reverse connection	yes
Line-induced noise	2A(3V-HF)
Application	Optimized response path especially suited for short-stroke cylinders.

Electrical data

Connection type	Cable with connector
Output resistance Ra	Open drain
Rated operating voltage Ue DC	24 V
Effective operating current Ie	100 mA
Rated insulation voltage Ui	75 DC V
Rated short circuit current	100 A
Electrical version	DC, direct current
Utilisation category	DC 13
Load capacitance max. (at Ue)	1 µF
No-load current I _o damped	8 mA
No-load current I _o undamped	5 mA
Off-state current I _r max.	80 µA
Ripple max. (% of Ue)	15 %
Switching output	PNP
Switching function	Normally open (NO)
Switching freq. f max.	7000 Hz
Voltage drop static max.	2,5 V

Principle of operation	Magnetic
Turn-off delay t _{off} max.	0,07
Turn-on delay t _{on} max.	0,07
Rated switching field strength	1,2 kA/m
Assured switching field streng	2 kA/m
Hysteresis H max. (in % of H _n)	45 %

Mechanical data

Ambient temperature	-25...85 °C
Housing material	PBT
Tightening torque max.	0,2 Nm
Sensing surface material	PBT
Cable jacket material	PUR
Cable short designation	Li12Y11Y-O
Cable length	0,3 m
Cable diameter D max.	2,5 mm
Connector type	M08x1-S49
Degree of contamination	3
Temperature drift max. % of H _n	0,3 %

Basic data

Basic standard	IEC 60947-5-2
Base type	BMF 273K-PS-C-2A-S49-03
Base type deviation	With screw-on connector

Remarks



Definitions see main catalog

subject to change

BMF 273K-PS-C-2A-SA2-S49-00,3
Ordering code: BMF002R

Sensors for cylinders
BMF 273
Cylinder housing: C-slot

PNP, Normally open (NO)

BALLUFF
sensors worldwide

