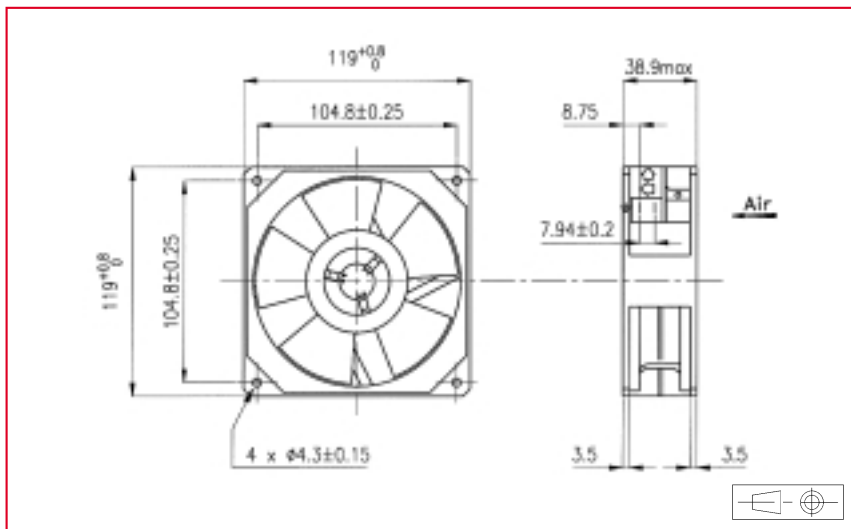


120 x 120 x 38 mm

AC
Axial Fans



AC Motor

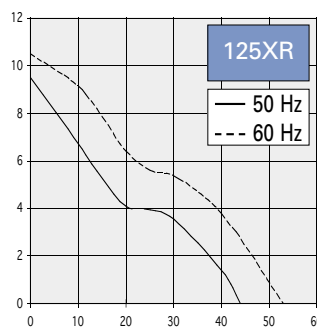
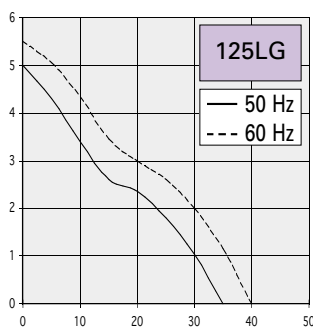
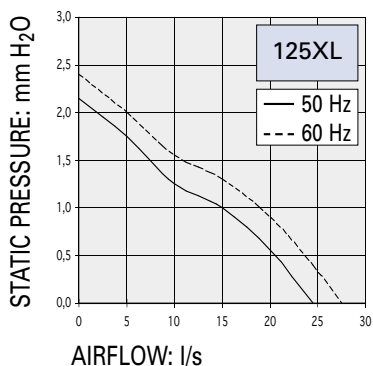
Electrical protection: impedance protected
Housing material: zamak
Impeller material: plastic UL 94 VO
Weight: 0,725 kg

Available with:

- flying leads
- speed sensor

Life expectancy

L-10 LIFE AT 40°C:
80 000 hours (ball bearings)
50 000 hours (sleeve bearings)



Part number	Nominal voltage	Airflow	Noise level	Nominal speed	Frequency	Phases	Capacitor	Input power	Nominal current	Starting current	Bearing system		Connection type		Operating temperature	
	V	l/s	dB(A)	RPM	Hz		µF	W	mA	mA	Ball	Sleeve	Leads	Terminals	Min. °C	Max. °C
125XL0182000	115	25	30	1600	50	1		12	135	145	X			X	-10	70
125XL0181000	208-240	27	32	1750	60	1		10	115	125	X			X	-10	70
		25	30	1600	50	1		12	75	90	X			X	-10	70
125LG0182000	115	35	38	2200	50	1		16	200	260	X			X	-10	70
		40	40,5	2500	60	1		13	160	220	X			X	-10	70
125LG0181000	208-240	35	38	2200	50	1		18	110	140	X			X	-10	70
		40	40,5	2500	60	1		15	90	120	X			X	-10	70
125XR0182000	115	44	44	2800	50	1		16	200	310	X			X	-10	70
		53	48	3200	60	1		15	180	260	X			X	-10	70
125XR2182000	115	44	43	2800	50	1		16	200	310		X		X	-10	55
		53	47,5	3200	60	1		15	180	260		X		X	-10	55
125XR0181000	208-240	44	44	2800	50	1		18	125	170	X			X	-10	70
		53	48	3200	60	1		15	105	150	X			X	-10	70
125XR2181000	208-240	44	43	2800	50	1		18	125	170		X		X	-10	55
		53	47,5	3200	60	1		15	105	150		X		X	-10	55

Non contractual document. Specifications are subject to change without prior notice. Pictures for information only. Edition N°2 / 01.