

7.0" Touch Screen Operator Interface



**TouchPanel
Operation**



7.0-inch TFT Color Touch Screen Operator Interface

GP-4401WW

Model: PFXGP4401WADW

DC 24V

WVGA

7.0-inch

SD Card
Ethernet

Powered by

Screen Editor





Features:

- 65,536 Colors, Clear, Bright, High-Resolution TFT Display
- Energy Efficient LED Display
- No Analog Touch Panel for Improved Visibility and Precise Part Placement
- Supports Up to Two Protocol Drivers Simultaneously
- High Speed Application Transfer, 10 Times Faster than Conventional Operator Interfaces
- 10/100 Base-T Ethernet, USB, Serial Communication, and SD Card Interfaces
- High-Definition Part Images and Multi-Language Support

Specifications

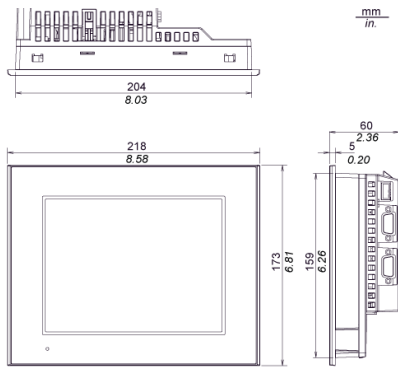
Model	PFXGP4401WADW
Graphics Display Resolution	800 x 480 pixels (WVGA)
Display Type and Size	TFT Color LCD (7.0 inch)
Display Colors	65,536 Colors (No blink)/16,384 Colors (Blink)
Display Area	W152.4 x H91.44 mm [W6.0 x H3.6 in.]
Touch Screen	Resistive film analog 1024 x 1024 resolution
USB	USB Type-A (2.0) x 1 , USB mini-B (2.0) x1
SD Card	SD Card slot x 1 (maximum 32 GB SD/SDHC Card)
Serial	COM1: RS-232C Asynchronous Transmission Data Length: 7 or 8 bit, Parity: None, Odd or Even, Stop Bit: 1 or 2 bit, Data Transmission Speed: 2,400 bps to 115.2 kbps, Connector: D-Sub9 (plug) COM 2: RS-422/485 Asynchronous Transmission Data Length: 7 or 8 bit Parity: None, Odd or Even Stop Bit: 1 or 2 bit Data Transmission Speed: 2,400 bps to 115.2 kbps, 187.5kbps (MPI) Connector: D-Sub9 (plug)
Ethernet	Ethernet IEEE802.3/IEEE802.3u, 10BASE-T/100BASE-TX
Backlight	White LED (User nonreplaceable parts. When replacement is required, contact your local distributor.
Brightness and Contrast Controls	8 Levels (or the software)
Programming Memory	16MB FEPROM (GP-Pro EX V3.0 or later)
Backup Memory	128kb SRAM with battery backup

General Specifications

Model	PFXGP4401WADW
Input Voltage	Rated DC24V (Limits DC19.2 to 28.8V)
Power Consumption	12 W or less
Ambient Operating Temp.	0°C (32°F) to 50°C (122°F)
Storage Temperature	-20 to 60 °C [-4 to 140 °F]
Altitude Endurance	800hPa to 1114hPa (2000 meters or lower)
Certifications	CE, UL Listed Cl 1 Div 2, RoHS
Humidity - Ambient/Storage	10 to 90 % RH (Wet bulb temperature: 39 °C [102.2 °F] or less - no condensation.)
Noise Immunity	Noise Voltage: 1,000 Vp-p, Pulse Duration: 1 μs, Rise Time: 1 ns (via noise simulator)
Cooling Method	Natural air circulation
Electrostatic Discharge Immunity	Contact Discharge Method: 6 kV (IEC/EN61000-4-2 Level 3)
Vibration Resistance	IEC/EN61131-2 compliant, 5 to 9 Hz Single amplitude 3.5 mm [0.14 in.], 9 to 150 Hz Fixed acceleration: 9.8 m/s², X, Y, Z directions for 10 cycles (approx. 100 min)
Shock during operation	IEC/EN 61131-2 compliant 147 m/s², X, Y, Z directions for 3 times
Rating	Equivalent to IP65f, Nema #250 Type 4x/13 (Equivalent to NEMA 12 with the addition of "Oil or Spraying and Splashing") when properly installed in an enclosure
Weight	1.2 kg [2.6 lb] or less (display unit only)
External Dimensions	W218 x H174 x D60 mm [W8.58 x H6.85 x D2.36 in.]
Warranty	Two-year standard (maximum 4 years)

GP-4401WW - External Dimensions

Unit: mm [in.]



Ordering Information

Part Number	Description
PFXGP4401WADW	GP-4401WW: 7.0" Wide TFT Color Touchscreen (Analog), WVGA, 2x Serial, Ethernet, 2x USB, SD, 24VDC, UL/CE

Optional Items

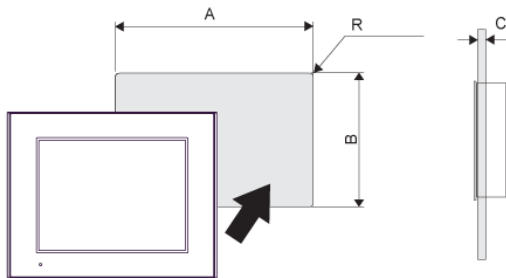
Part Number	Product Name
PFXZCBSD4GC41	SD Memory Card (4 GB, Class 4)
PFXZCBSD72	Touch Screen Protection Sheet (Qty 5) for 7.0" GP4000
GP-Pro EX (EX-ED-Vx)	Screen and Logic Development Software (ver 3.0 or newer)
PLC Cables & Accessories	See AGP3000 Connectivity Document

Caution: Before operating any of these products, please be sure to read all related manuals thoroughly.

- All product names used in this document are trademarks or registered trademarks of their respective companies.
- All information contained in this document is subject to change without notice.

GP-4401WW - Cut-Out Dimensions

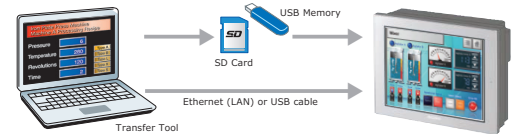
Unit: mm [in.]



A	B	C	R
204.5 mm (+1, -0 mm) (8.05 in. [+0.04, -0 in.])	159.5 mm (+1, -0 mm) (6.28 in. [+0.04, -0 in.])	1.6...5 mm (0.06...0.2 in.)	3 mm (0.12 in.) maximum

Easily Transfer Data

Screen data can be updated by using the data transfer tool, even without a software license.

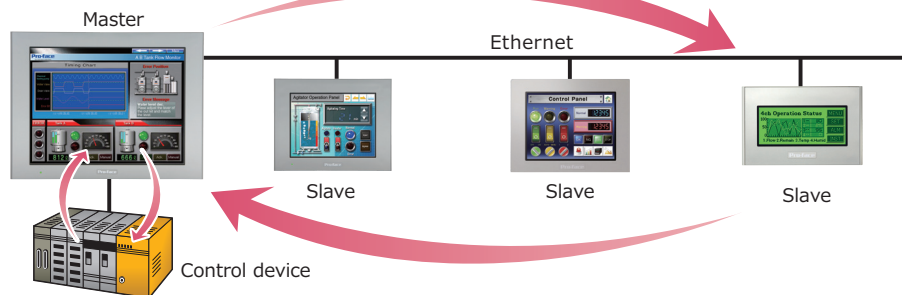


The data transfer tool can be downloaded for free from the Web
<http://www.profaceamerica.com>

Connectivity

Ethernet Multi-Link function

The Ethernet Multi-Link function allows you to easily add a GP as a sub-display to the facility without changing any settings of the control device.



Pro-face America
 Phone: 734.477.0600
 Fax: 734.864.7347
www.profaceamerica.com

Customer Service Hotline: 800.289.9266

For more information

ACCESS www.profaceamerica.com

Pro-face
 for the best interface