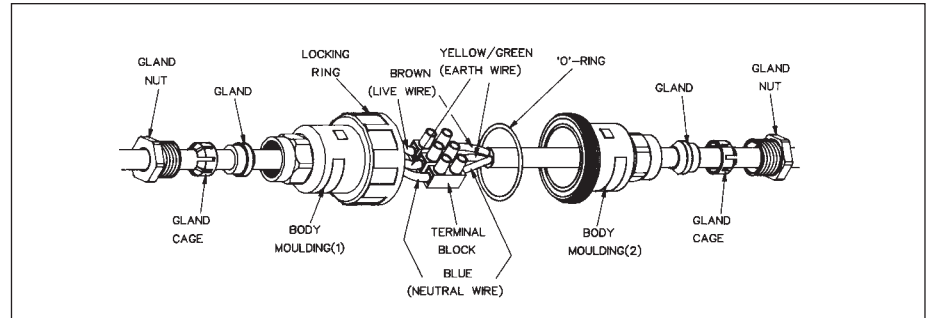
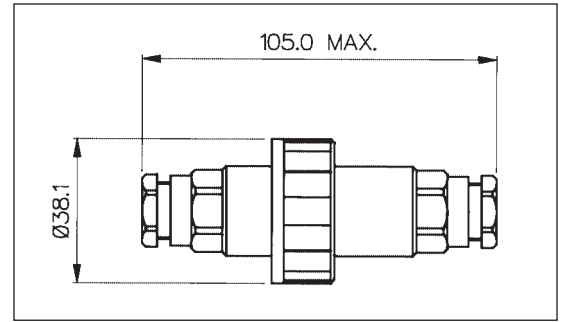


**Sealed In-Line Cable Joiner**

**CABLE JOINER**



- IP68 Rating
- For Sealed In-Line Connections
- Standard Cable Acceptance 6-8mm
- Cable Range 3.5-9mm (using alternative glands)
- Supplied with 3 way Terminal Block
- Available Moulded in Black or Orange



**Specification**

**PX0777**

<b>Rating:</b>	16A, 250V a.c.
<b>Wire Termination:</b>	3 way Terminal Block (2.5mm <sup>2</sup> -14 AWG max)
<b>Cable Acceptance:</b>	6-8mm dia alternative glands available on request
<b>Material:</b>	Glass Filled Polyamide UL94HB
<b>Sealing:</b>	IP68 to BSEN 60529 : 1992 1.054Kg/sq.cm. (15lbs/sq.in.) 10m depth for 2 weeks
<b>Operating Temp. Range:</b>	-20°C to +70°C
<b>Colour:</b>	Black Orange (Add /OR to PNo.)
<b>BNC Cable Types:</b>	50 ohm – RG58/CU, URM43 & URM76 For BNC version of PX0777 add /50OHM to PNo.
<b>Approvals:</b>	Ⓢ (Standard part no. only)