



831370 With standard rotary action 831370 Part number 83137004



- Action with a wire
- Very low operating force
- Long mechanical life

	Type	Function	Connections
83137004	With standard rotary action 831370	I (changeover)	W3
MADE TO ORDER	With standard rotary action 831370	I (changeover)	W2
MADE TO ORDER	With standard rotary action 831370	R (normally closed)	W2 - W3
MADE TO ORDER	With standard rotary action 831370	C (normally open)	W2 - W3

Electrical characteristics

Rating nominal / 250 VAC (A)	5
Rating thermal / 250 VAC (A)	14
Mechanical characteristics	
maximum operating force N cm	0.12
Minimum release torque N cm	0.03
Overtravel torque N cm	0.5
Pre-travel- maximum (°)	26
Maximum differential travel (°)	14
Min. overtravel (°)	12
Ambient operating temperature (°C)	-20 → +125
Mechanical life (operations)	10 ⁷
Contact gap (mm)	0,8
Weight (g)	7,2

Additional specifications

Components

Material

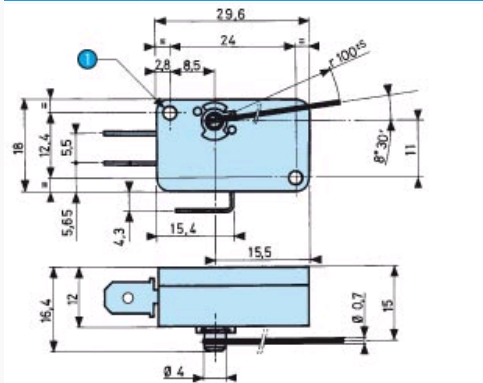
- Case: polyamide.

- Contacts: silver.

Lever

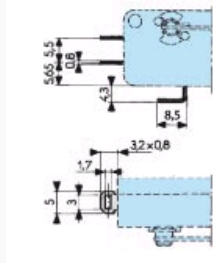
- Stainless steel wire.

Dimension Diagram : 831370

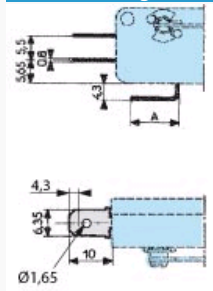


N°	Legend
1	2 holes Ø 3.2

Dimension Diagram : W2 solder



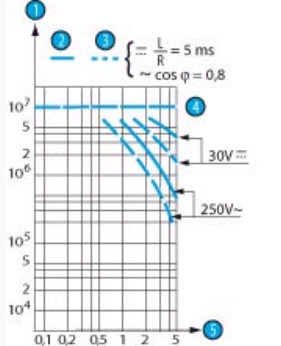
Dimension Diagram : W3 for 6.35 mm clips



: Single break changeover switch



Curves : Operating curve for type 831370



N°	Legend
1	Number of cycles
2	Resistive circuit
3	Inductive circuit
4	Mechanical life limit
5	Current in Amps

Special adaptations

- Special levers
- UL approval