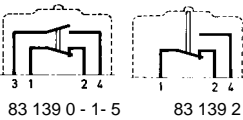


# Sealed microswitches - IP 67 - flameproof EEX d IIC T6

## General specifications

### Layout



83 139 0 - 1 - 5

83 139 2

### Components

#### Material

- Case : polyester
- Contacts : silver
- Membrane : nitrile on 83 139 0  
silicone on 83 139 1 - 2 - 5

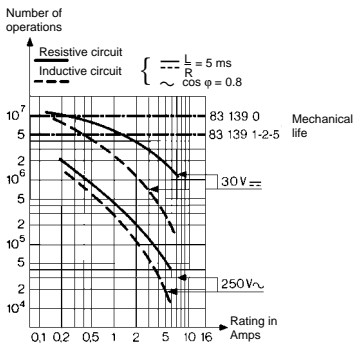
#### Actuators :

- stainless steel
- rollers : polyamide

### Characteristics specific to 83 139 1

- Conform to standards EN 50 014 and 50 018
- Group II classified for explosive atmospheres other than mines subject to firedamp.
- Temperature class T6, max. surface temperature 85°C.
- LCIE Certificate - 880022 U.
- These switches should be encased in a certified material, mainly to provide mechanical protection.
- **Degree of protection IP 67.**

### Operating curve



### Mounting - Operation

See basic technical concepts on page 1/8

## Types

### Part numbers for standard products with connections of type Standard

Features

### Electrical characteristics

	Nominal	A
Current rating at 250 V		
Thermal		A

### Mechanical characteristics

Operating force - max.	N
Release force - min.	N
Total travel force - max.	N
Permitted overtravel force - max.	N
Maximum rest position	mm
Tripping point (depending on position of fixing holes)	mm
Differential travel	mm
Overtravel - min.	mm
Ambient operating temperature	°C
Mechanical durability	Operations
Contact gap	mm
Weight	g

### Functions

I (changeover)

### Fixings

4 holes = **A standard**

2 holes = **B**

### Connections

Lead position standard

Lead position right

Lead position left

### Actuators and fixing positions

#### Part numbers for standard actuators

Actuators

Operating force - max.

Release force - min.

Differential travel

#### Part numbers for standard actuators

Operating force - max.

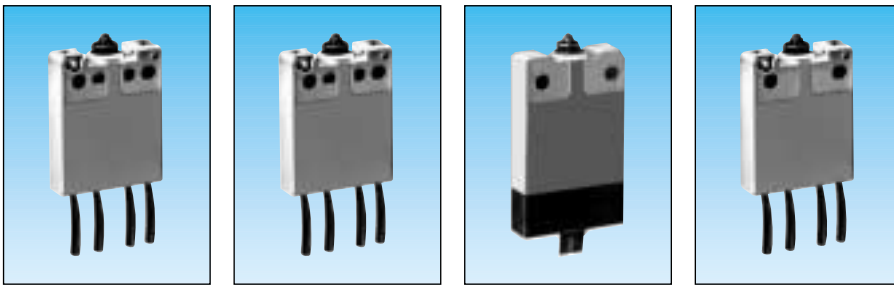
Release force - min.

Differential travel

Unless indicated, flat actuators and roller actuators are delivered unmounted.

## Other information

For other forces, levers, connections and temperatures, please consult us.



83 139 0	83 139 5	83 139 2	83 139 1
83 139 003			
Standard	Low temperature	Double insulation to NFC 20030 standard class II	Flameproof
6	6	6	6
11	11	11	11
3	3	3	3
0.6	0.6	0.6	0.6
4	4	4	4
10	10	10	10
A = 8.8 B = 9.8	A = 8.8 B = 9.8	B = 9.8	B = 9.8
A = 7.7±0.4 B = 8.7±0.4	A = 7.7±0.4 B = 8.7±0.4	B = 8.7±0.4	B = 8.7±0.4
0.35 ±0.1	0.35 ±0.1	0.35 ±0.1	0.35 ±0.1
0.25	0.25	0.25	0.25
0 +85	-20 +85	-20 +85	-20 +85
10 <sup>7</sup>	5 x 10 <sup>6</sup>	5 x 10 <sup>6</sup>	5 x 10 <sup>6</sup>
0.3 x 2	0.3 x 2	0.3 x 2	0.3 x 2
37	37	45	37

I	I	I	I
A	A	B	B
B	B	B	B
4 flexible leads 0.75 mm <sup>2</sup> length 0.50 m ext. Ø 2.3 mm	4 flexible leads 0.75 mm <sup>2</sup> length 0.50 m ext. Ø 2.3 mm	3-lead cable 0.75 mm <sup>2</sup> length 0.50 m ext. Ø 5.2 mm	4 flexible leads 0.75 mm <sup>2</sup> length 0.50 m ext. Ø 2.3 mm
S	S	-	S
D	D	-	D
G	G	-	G

	79 215 740	70 507 524	79 215 742	70 507 529
Flat 139 AX R29.7 mm**	Roller 139 EX R28.7 mm**	Flat 161 A R14.2 - R25.4 mm	Roller 161 E R13.6 - R24.1 mm	
1.5	1.5	2.6	1.7	
0.2	0.2	0.35	0.2	
1.5	1.5	0.7	1.25	
	79 218 651			

Note : We recommend greasing the switch pushbutton lightly when fitting actuators.

Flat 161 F R22.3 mm	Dummy roller 161 G R21.8
2	2
0.2	0.2
1.1	1.1

\*\* Factory fitted

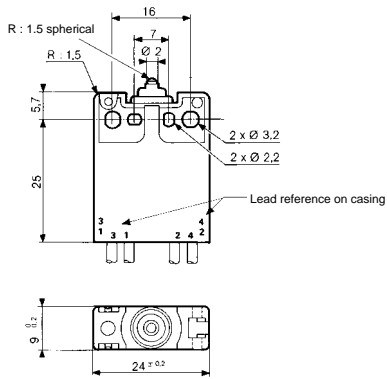
### To order, specify :

Standard products	2 Part number plus connection type Example : 83 139 003 + 79 215 740	6 Actuators			
Standard products, non stocked	1 Type of microswitch	3 Function	4 Fixing	5 Connection	6 Actuators
	Example : 83 139 5 - I - fixing A - Output connections D - 161A - R14.2				

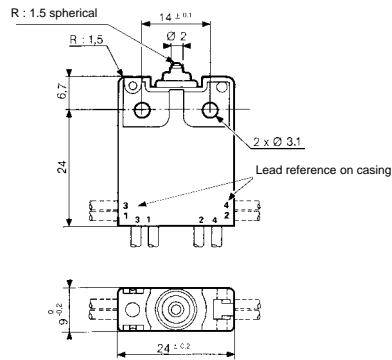
# Sealed microswitches - IP 67

## Dimensions

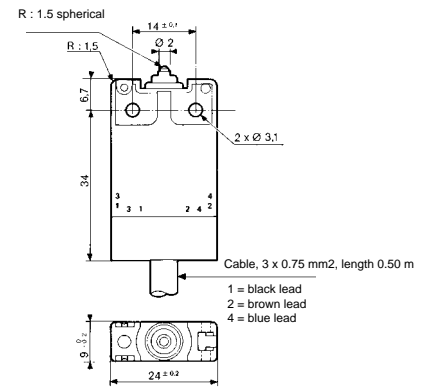
83 139 0 - 5 - Fixing A = 4 holes



83 139 0 - 1 - 5 - Fixing B = 2 holes

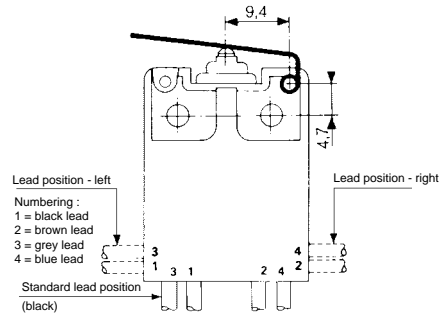
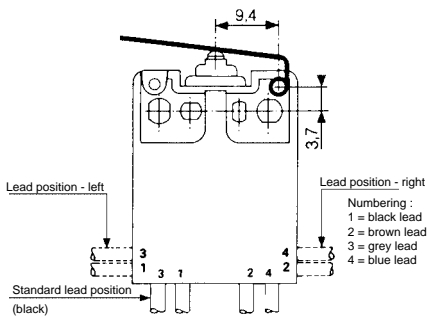


83 139 2

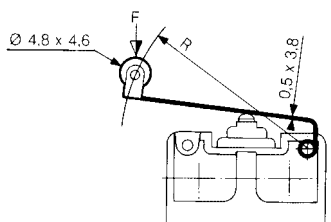


## Actuators

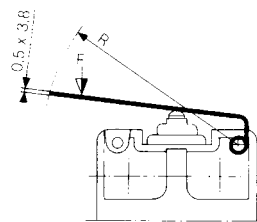
Actuator mounting positions (type 139)



139 EX



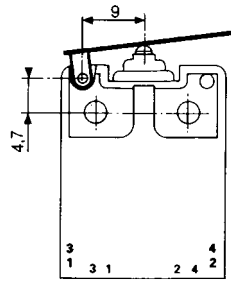
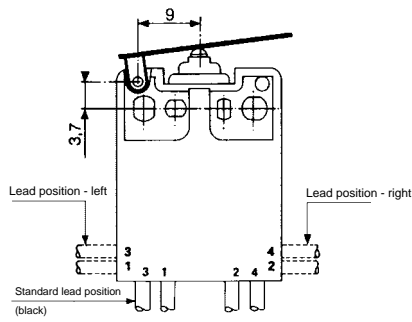
139 AX



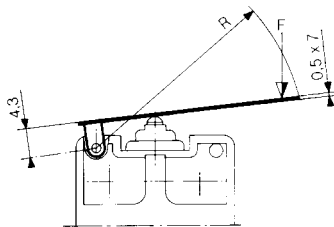
# Sealed microswitches - IP 67

## Actuators

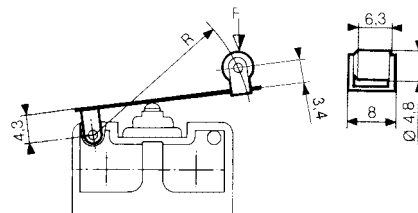
Actuator mounting positions (type 161)



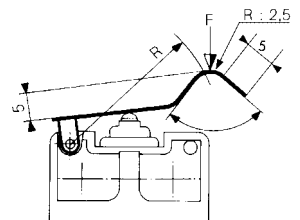
161 A



161 E



161 F



161 G

