

# FLOW MICROREGULATORS NEW SERIES

The job of flow microregulators is to regulate speed in the pneumatic cylinders.

The configuration of both type C (to be mounted on the cylinder inlet) and type V (to be mounted on the valve port) is such as to ensure full flow on feed and regulated flow on discharge. Type B (bidirectional) can be used to regulate the flow both on feed and discharge.

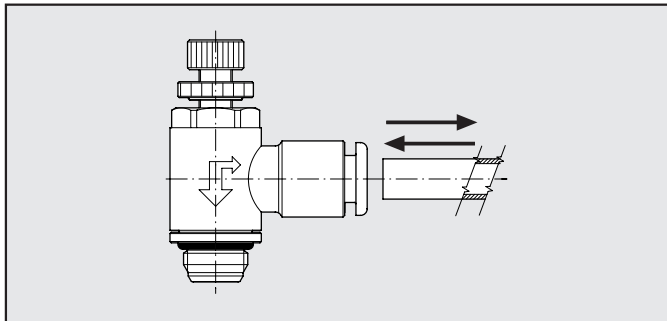
Flow microregulators are divided into 4 series:

- **MRF COMPACT O:** can be adjusted using a screwdriver; the regulation pin is lubricated with a particular antivibration grease; it has reduced dimensions and fine adjustment in the first turns; adjustment can be prevented by assembling a disposable cap (supplied separately) that can be removed using a tool.

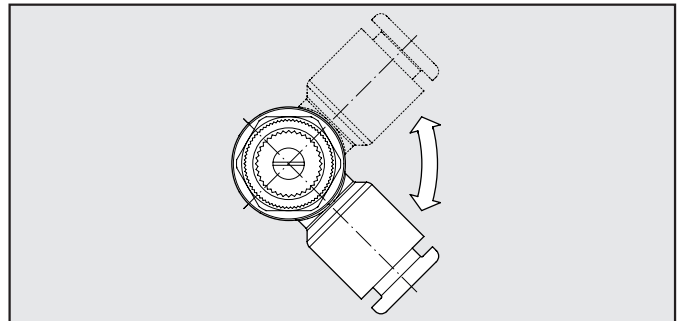
- **MRF COMPACT N:** can be adjusted using the knob and/or screwdriver; adjustment can be prevented by tightening the ring nut; it has the same regulation curve as those in series O.

- **MRF HIGH-FLOW:** can be adjusted using the knob and/or screwdriver; adjustment can be prevented by tightening the ring nut; it is ideal for use in installations requiring high flow rates both on regulation and discharge. Available in 1/8" and 1/4" and with a technopolymer ring.

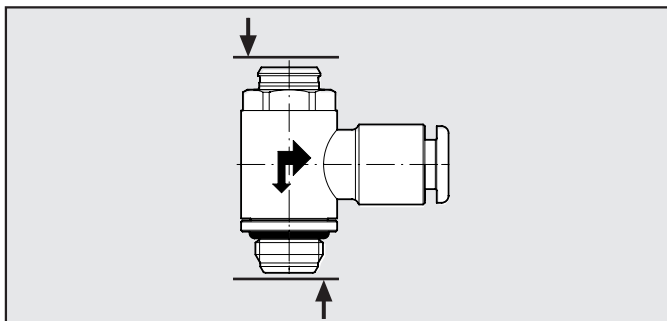
- **MRF PUSH-LOCK:** it is the only one in the MRF series with a PUSH-LOCK knob, that can be replaced by an anti-tampering knob (supplied separately). Available in 1/8" and 1/4" and with a technopolymer ring.



All the MRF with a pipe engage-release system of the latest generation that facilitates detachment of the pipe even under difficult operating conditions.



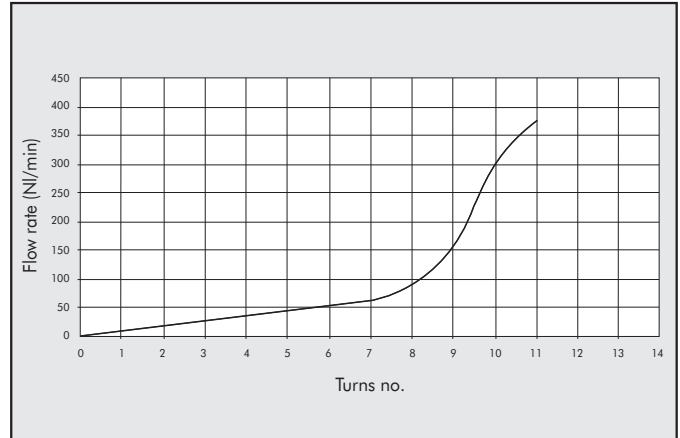
The rings can be rotated even with the MRF installed, which means that they can be mounted with the pipe facing towards any direction.



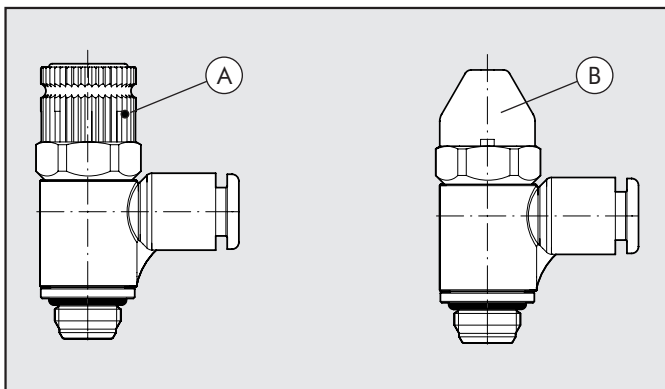
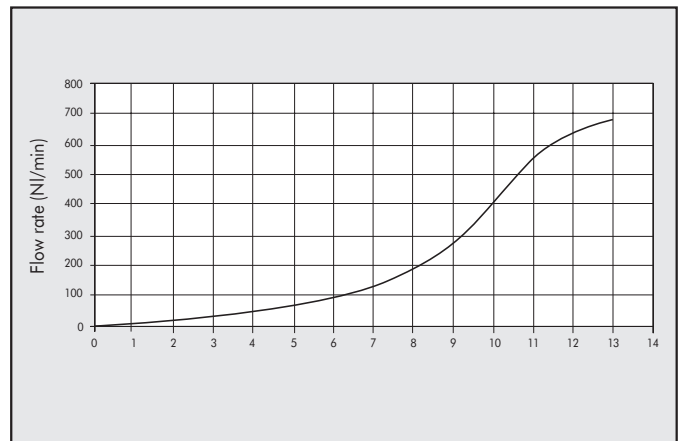
Special focus has been placed on miniaturisation of the components (mainly for COMPACT MRF series O), which saves considerable space.



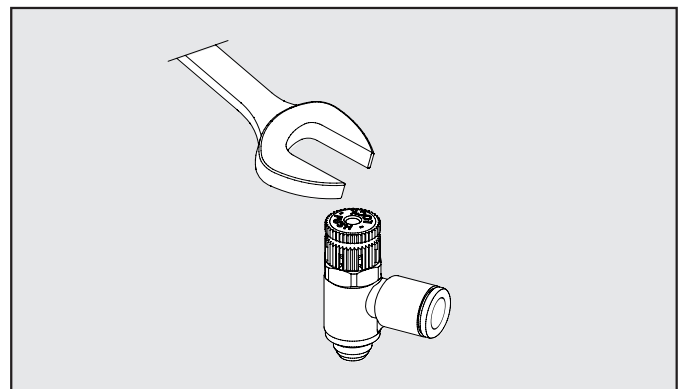
The regulation curve in the MRF series COMPACT N, COMPACT O and PUSH-LOCK takes place in two sections: in the first half of the flash pin stroke for very fine regulation and relatively low flow rates; in the second half, the flash pin quickly opens the passage so as to reach the maximum flow rate quickly.



The regulation curve in the MRF series HIGH-FLOW is divided into 3 sections: regulation is particularly accurate along the entire flash pin stroke and the maximum flow rate is reached at a good steady rate; in this way, the user can choose the solution which best fits the specific application.



A major innovative aspect of the new MRF is the possibility of using the PUSH-LOCK series that can be mounted with either a push-lock (A) or an anti-tampering knob (B). The push-lock knob prevents decalibration of the MRF due to vibration or incorrect torque. With the anti-tampering knob there is no way to change the position unless you remove the knob using a special tool.



All the new MRF can be fixed from the top using a universal wrench, a pipe wrench or an automatic screwdriver.

| THREAD | MAXIMUM TORQUE (Nm)* |
|--------|----------------------|
| M5     | max 1,8              |
| G 1/8" | max 6                |
| G 1/4" | max 8                |
| G 3/8" | max 10               |
| G 1/2" | max 15               |

\* measured on a metal female thread

# FLOW MICROREGULATOR Series COMPACT N and O

## FLOW MICROREGULATOR

### Main features:

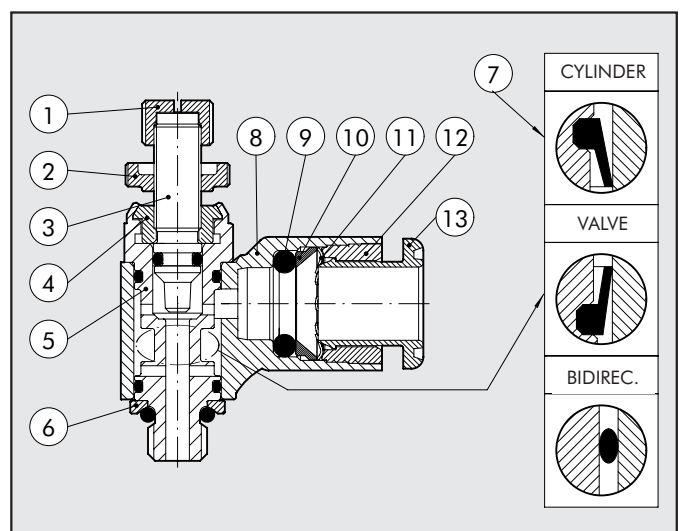
- reduced dimensions
- excellent regulation
- regulation with a screwdriver and disposable anti-tampering cap (COMPACT O)
- regulation with either a screwdriver and/or a knob, can be fixed with a ring nut (COMPACT N)
- available in all sizes (from M5 to 1/2") with a brass or a technopolymer ring
- can be mounted with an automatic screwdriver
- comes with a ring that can rotate even with the MRF mounted in position.



| TECHNICAL DATA                                      | M5  |      |     | 1/8"       |      |     |     | 1/4" |     |      |      | 3/8" |      | 1/2" |      |
|---|---|------|-----|------------|------|-----|-----|------|-----|------|------|------|------|------|------|
|   | Ø 4   | Ø 5* | Ø 6 | Ø 4        | Ø 5* | Ø 6 | Ø 8 | Ø 6  | Ø 8 | Ø 10 | Ø 12 | Ø 10 | Ø 12 | Ø 12 |      |
| Pipe  |   |      |     |            |      |     |     |      |     |      |      |      |      |      |      |
| Max input pressure                                  | MPa   |      |     | 1          |      |     |     |      |     |      |      |      |      |      |      |
|   | bar   |      |     | 10         |      |     |     |      |     |      |      |      |      |      |      |
|   | psi   |      |     | 145        |      |     |     |      |     |      |      |      |      |      |      |
| Temperature range: technopolymer ring               | °C  |      |     | -10 ÷ +50  |      |     |     |      |     |      |      |      |      |      |      |
|   | °F  |      |     | +14 ÷ +122 |      |     |     |      |     |      |      |      |      |      |      |
| Brass ring  | °C  |      |     | -10 ÷ +70  |      |     |     |      |     |      |      |      |      |      |      |
|   | °F  |      |     | +14 ÷ +158 |      |     |     |      |     |      |      |      |      |      |      |
| Max flow rate on regulation at 6.3 bar              | Nl/min  | 150  | 155 | 155        | 350  | 360 | 380 | 400  | 750 | 850  | 950  | 1000 | 1300 | 1400 | 2000 |
| Max flow rate on exhaust at 6.3 bar with closed pin | Nl/min  | 140  | 145 | 150        | 300  | 320 | 350 | 390  | 450 | 475  | 500  | 550  | 1050 | 1250 | 1750 |
| Max flow rate on exhaust at 6.3 bar with open pin   | Nl/min  | 240  | 245 | 245        | 450  | 510 | 600 | 650  | 850 | 1050 | 1150 | 1250 | 1700 | 2100 | 2700 |
| Regulation  | Manual (COMPACT N only) or using a screwdriver      |      |     |            |      |     |     |      |     |      |      |      |      |      |      |
| Internal system                                     | Tapered pin   |      |     |            |      |     |     |      |     |      |      |      |      |      |      |
| Fluid   | Filtered, lubricated or unlubricated compressed air |      |     |            |      |     |     |      |     |      |      |      |      |      |      |
| * Pipe Ø5 is only available with a brass ring       |   |      |     |            |      |     |     |      |     |      |      |      |      |      |      |

## TYPE N COMPONENTS - M5 THREAD

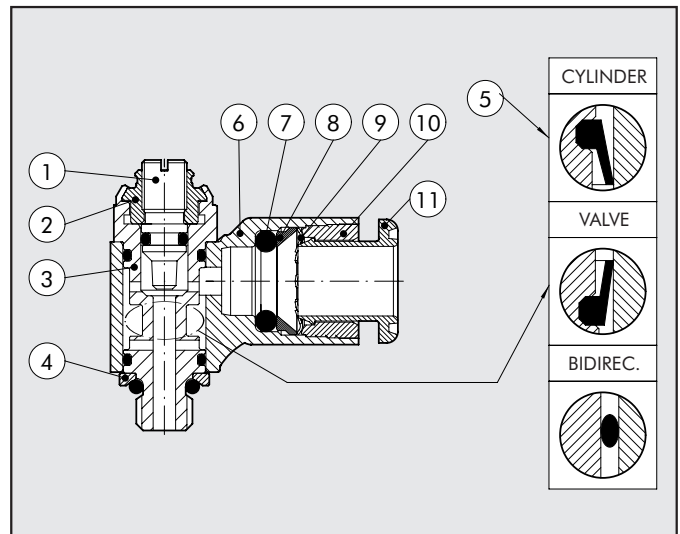
- 1 Nickel-plated brass knob
- 2 Nickel-plated brass securing ring nut
- 3 Brass pin
- 4 Nickel-plated brass bush
- 5 Nickel-plated brass body
- 6 Nickel-plated brass retaining ring
- 7 NBR gasket
- 8 Nickel-plated or technopolymer brass revolving ring
- 9 NBR gasket
- 10 Technopolymer spring supporting ring
- 11 Stainless steel grabbing spring
- 12 Technopolymer retaining bush
- 13 Technopolymer release bush





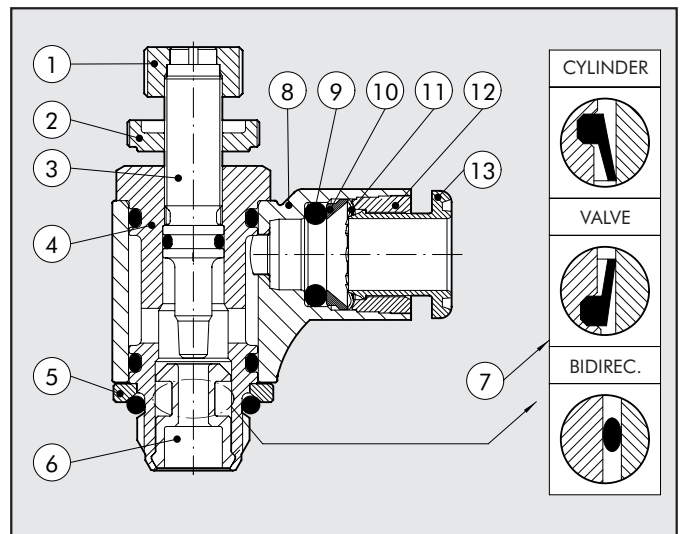
### TYPE O COMPONENTS - M5 THREAD

- ① Brass pin
- ② Nickel-plated brass bush
- ③ Nickel-plated brass body
- ④ Nickel-plated brass retaining ring
- ⑤ NBR gasket
- ⑥ Nickel-plated or technopolymer brass revolving ring
- ⑦ NBR gasket
- ⑧ Technopolymer spring supporting ring
- ⑨ Stainless steel grabbing spring
- ⑩ Technopolymer retaining bush
- ⑪ Technopolymer release bush



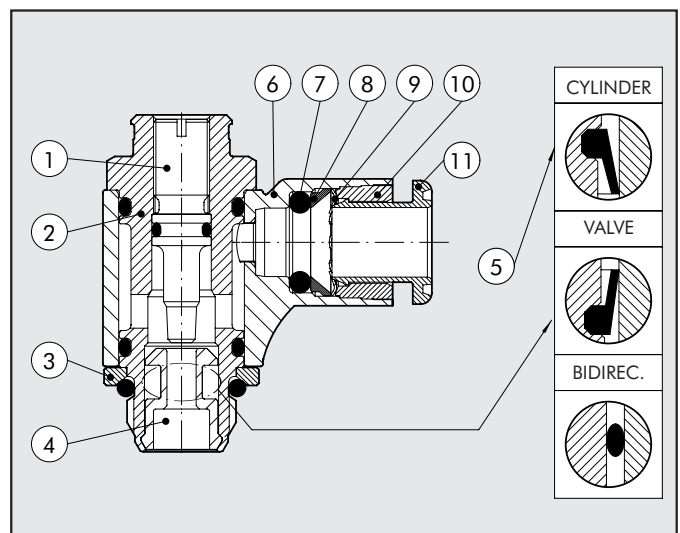
### TYPE N COMPONENTS - THREAD 1/8" TO 1/2"

- ① Nickel-plated brass knob
- ② Nickel-plated brass securing ring nut
- ③ Brass pin
- ④ Nickel-plated brass body
- ⑤ Nickel-plated brass retaining ring
- ⑥ Brass gasket holding insert
- ⑦ NBR gasket
- ⑧ Nickel-plated or technopolymer brass revolving ring
- ⑨ NBR gasket
- ⑩ Technopolymer spring supporting ring
- ⑪ Stainless steel grabbing spring
- ⑫ Technopolymer retaining bush
- ⑬ Technopolymer release bush

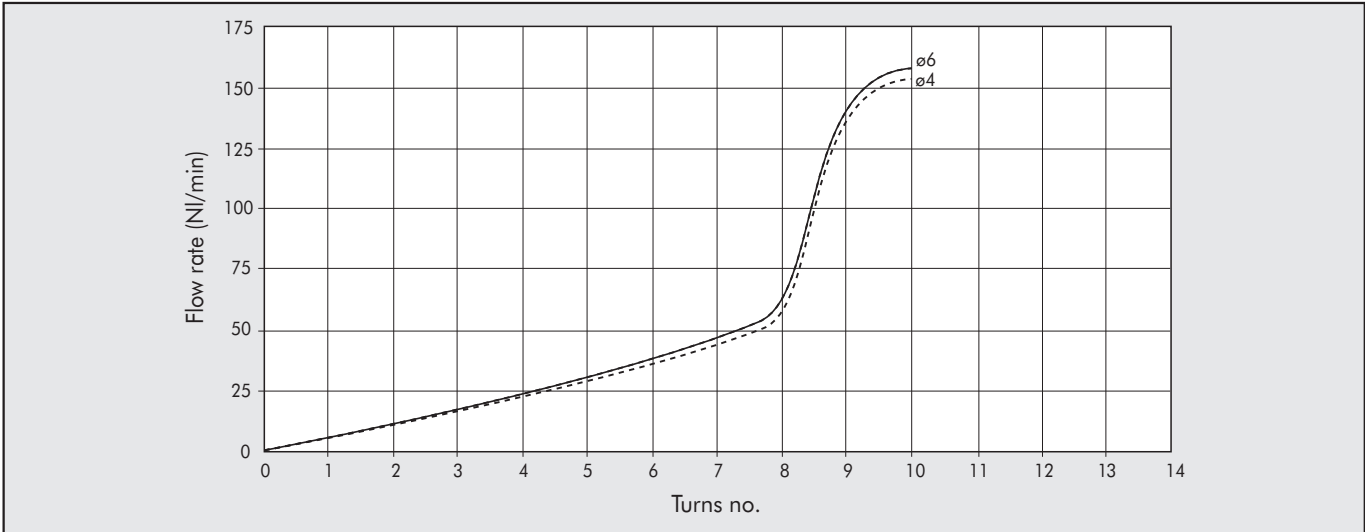


### TYPE O COMPONENTS - THREAD FROM 1/8" TO 1/2"

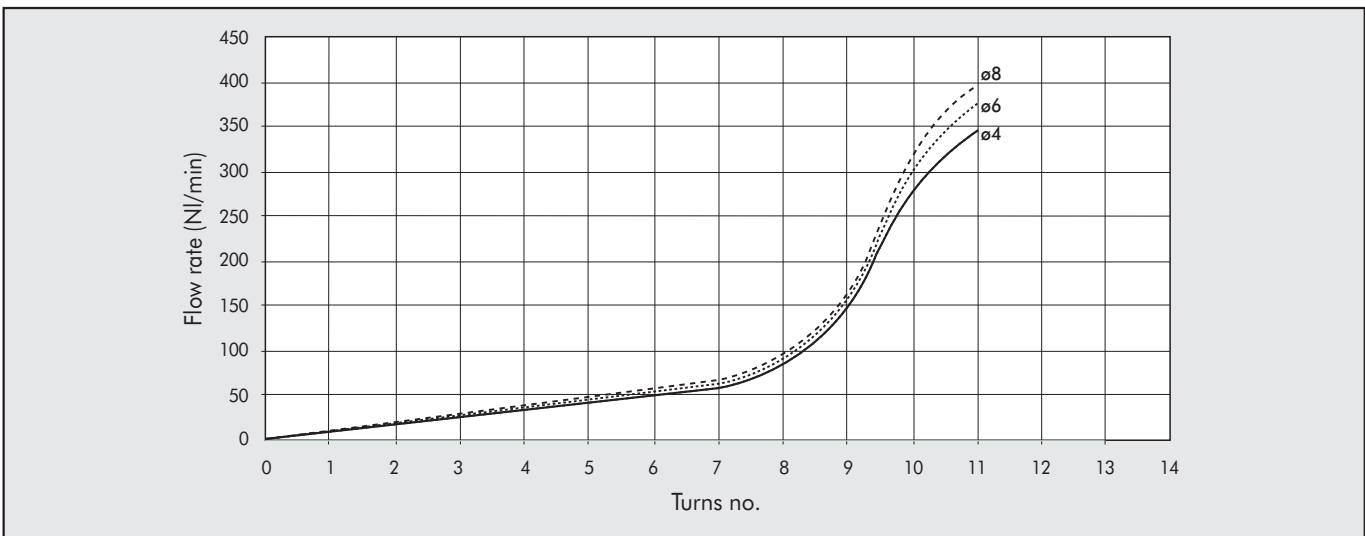
- ① Brass pin
- ② Nickel-plated brass body
- ③ Nickel-plated brass retaining ring
- ④ Brass gasket holding insert
- ⑤ NBR gasket
- ⑥ Nickel-plated or technopolymer brass revolving ring
- ⑦ NBR gasket
- ⑧ Technopolymer spring supporting ring
- ⑨ Stainless steel grabbing spring
- ⑩ Technopolymer retaining bush
- ⑪ Technopolymer release bush



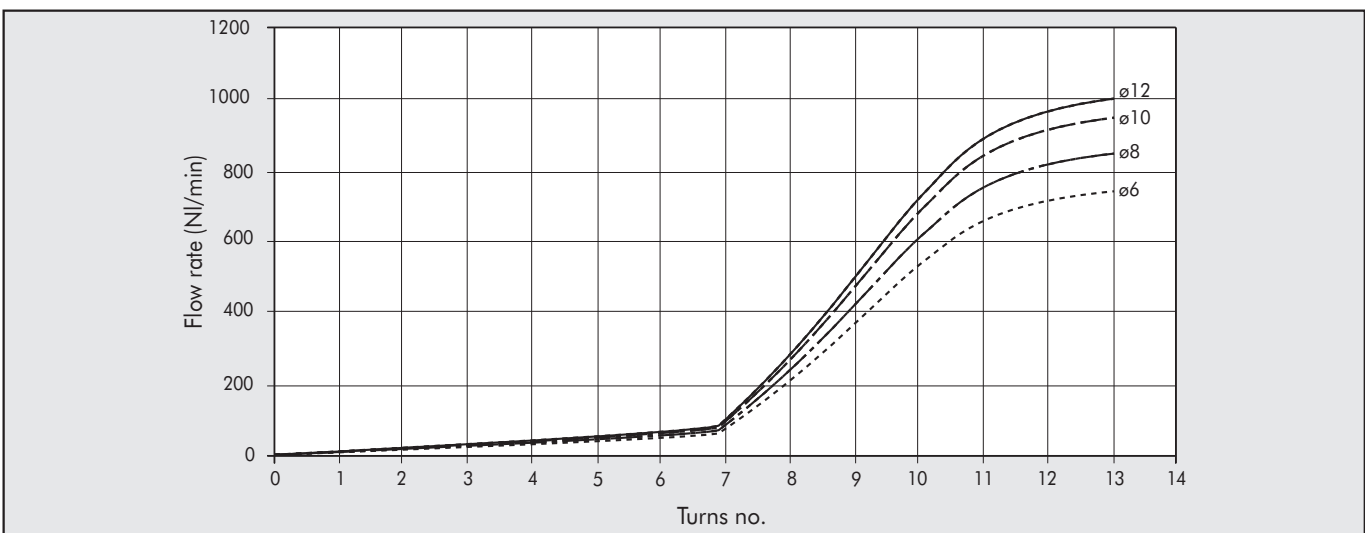
MRF M5 - PIPE Ø4 - Ø6



MRF 1/8" - PIPE Ø4 - Ø6 - Ø8

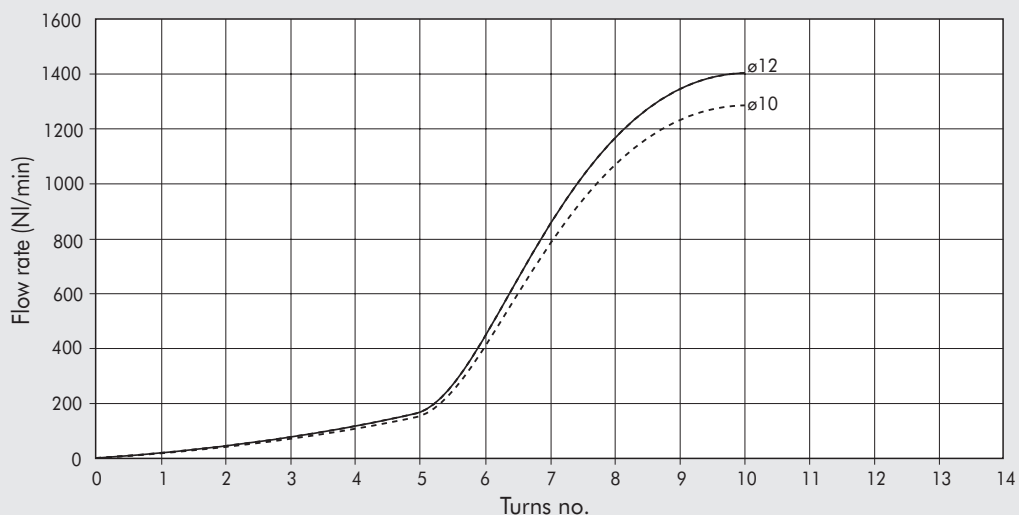


MRF 1/4" - PIPE Ø6 - Ø8 - Ø10 - Ø12

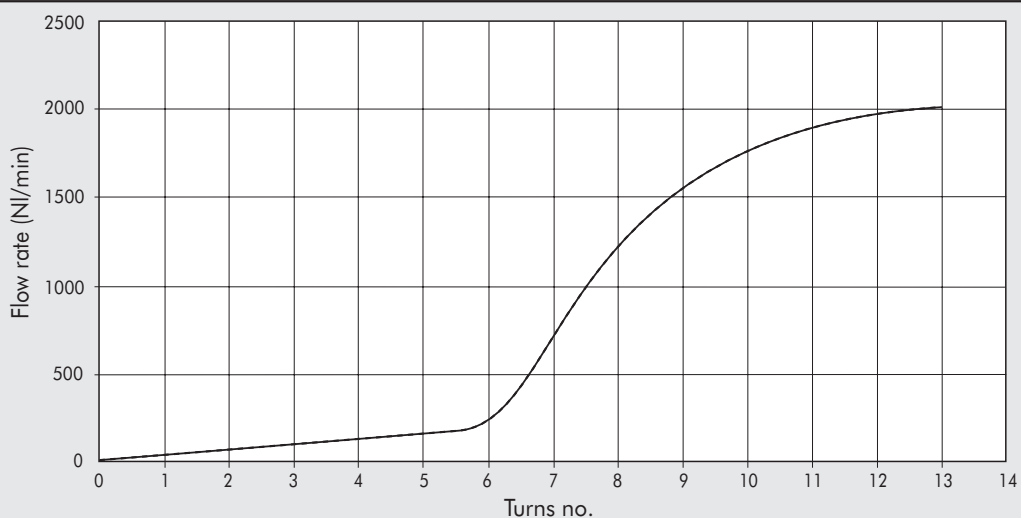




### MRF 3/8" - PIPE Ø10 - Ø12



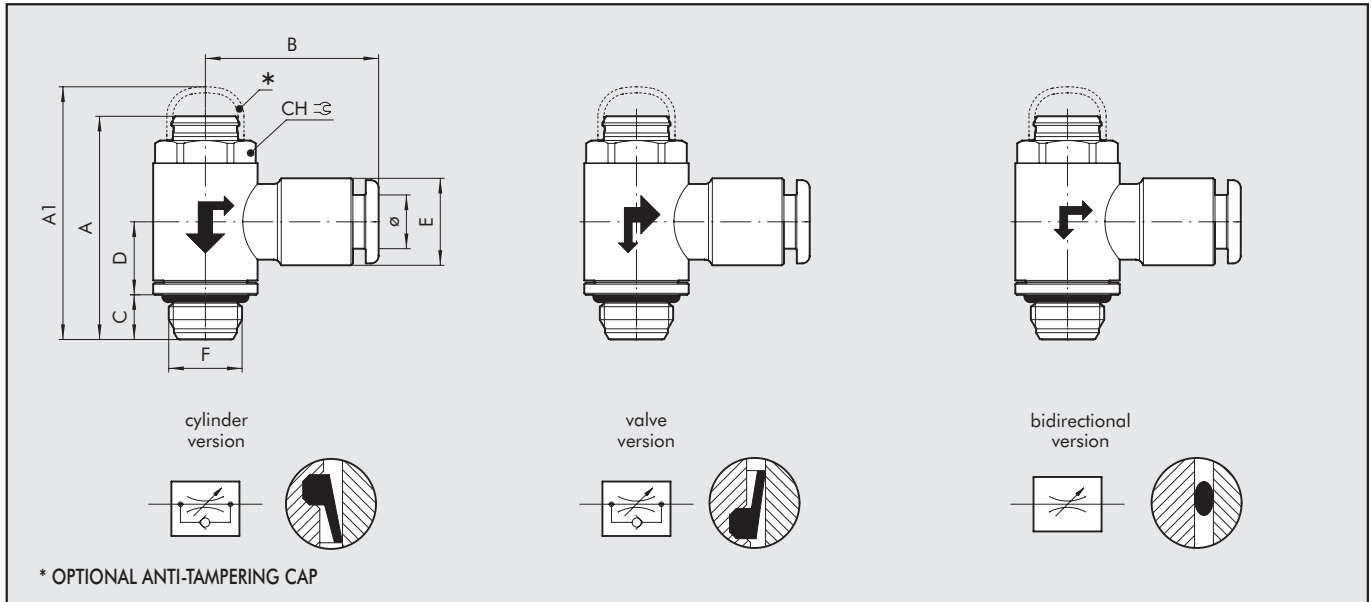
### MRF 1/2" - PIPE Ø12



### KEY TO CODING

| M       | R | F | N                                       | M  | C  | 4   | M5  |
|---------|---|---|---|--|--|---|---|
| ELEMENT |   |   | TYPE                                    | RING   | FUNCTION   | Ø PIPE  | Ø THREAD  |
|         |   |   | N with knob and ring nut<br>O flash pin | M Nickel-plated brass with push-in fitting<br>T Technopolymer with push-in fitting<br>F Nickel-plated brass with female thread | C for cylinder<br>V for valve<br>B bidirectional | 4: Ø 4<br>5: Ø 5<br>6: Ø 6<br>8: Ø 8<br>10: Ø 10<br>12: Ø 12<br>1/8: G 1/8" F<br>1/4: G 1/4" F<br>3/8: G 3/8" F | M5:M5<br>1/8: G 1/8"<br>1/4: G 1/4"<br>3/8: G 3/8"<br>1/2: G 1/2" |

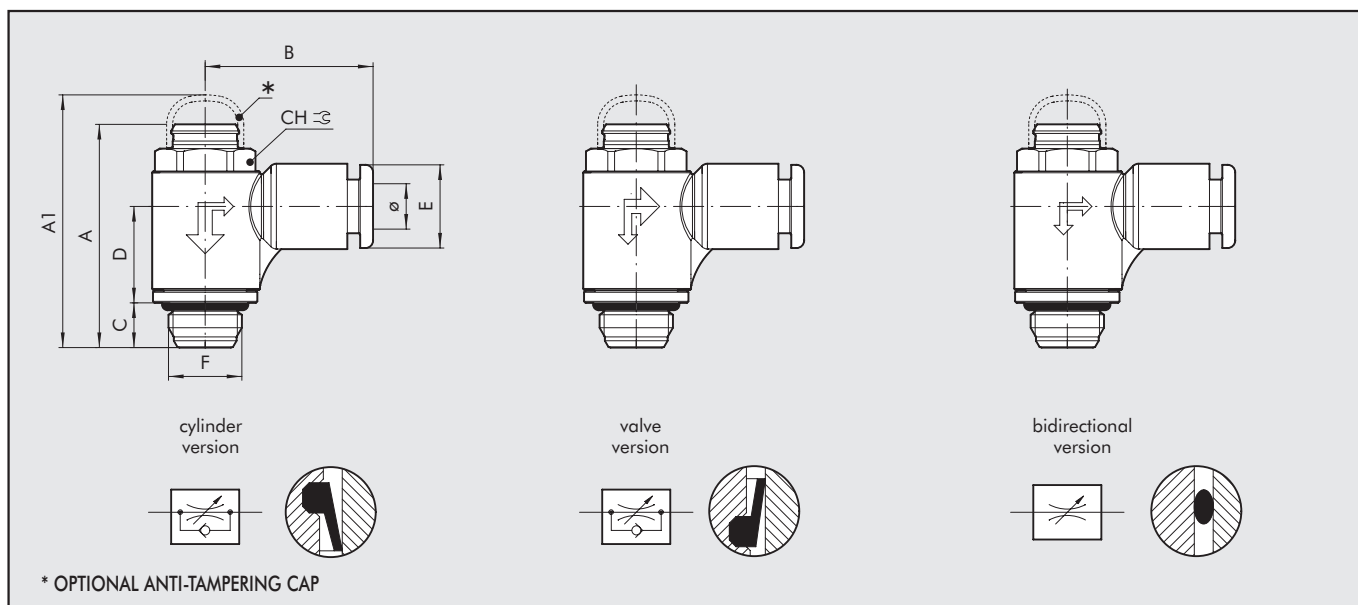
### MRF COMPACT "O" BRASS RING



| CODE     | DESCRIPTION      | F   | Ø  | CH | A min | A max | A1   | B    | C  | D    | E    |
|----------|------------------|-----|----|----|-------|-------|------|------|----|------|------|
| 9001001C | MRF O M C 4 M5   | M5  | 4  | 9  | 23.9  | 25    | 26.5 | 20.2 | 4  | 9.2  | 9.5  |
| 9001110V | MRF O M V 4 M5   | M5  | 4  | 9  | 23.9  | 25    | 26.5 | 20.2 | 4  | 9.2  | 9.5  |
| 9001601B | MRF O M B 4 M5   | M5  | 4  | 9  | 23.9  | 25    | 26.5 | 20.2 | 4  | 9.2  | 9.5  |
| 9001002C | MRF O M C 5 M5   | M5  | 5  | 9  | 23.9  | 25    | 26.5 | 23.8 | 4  | 9.2  | 12   |
| 9001113V | MRF O M V 5 M5   | M5  | 5  | 9  | 23.9  | 25    | 26.5 | 23.8 | 4  | 9.2  | 12   |
| 9001603B | MRF O M B 5 M5   | M5  | 5  | 9  | 23.9  | 25    | 26.5 | 23.8 | 4  | 9.2  | 12   |
| 9001007C | MRF O M C 6 M5   | M5  | 6  | 9  | 23.9  | 25    | 26.5 | 23.5 | 4  | 9.2  | 11.3 |
| 9001105V | MRF O M V 6 M5   | M5  | 6  | 9  | 23.9  | 25    | 26.5 | 23.5 | 4  | 9.2  | 11.3 |
| 9001612B | MRF O M B 6 M5   | M5  | 6  | 9  | 23.9  | 25    | 26.5 | 23.5 | 4  | 9.2  | 11.3 |
| 9001011C | MRF O M C 4 1/8  | 1/8 | 4  | 12 | 29.8  | 30.9  | 34   | 21.3 | 6  | 9.8  | 9.5  |
| 9001111V | MRF O M V 4 1/8  | 1/8 | 4  | 12 | 29.8  | 30.9  | 34   | 21.3 | 6  | 9.8  | 9.5  |
| 9001602B | MRF O M B 4 1/8  | 1/8 | 4  | 12 | 29.8  | 30.9  | 34   | 21.3 | 6  | 9.8  | 9.5  |
| 9001012C | MRF O M C 5 1/8  | 1/8 | 5  | 12 | 29.8  | 30.9  | 34   | 24.8 | 6  | 9.8  | 12   |
| 9001112V | MRF O M V 5 1/8  | 1/8 | 5  | 12 | 29.8  | 30.9  | 34   | 24.8 | 6  | 9.8  | 12   |
| 9001604B | MRF O M B 5 1/8  | 1/8 | 5  | 12 | 29.8  | 30.9  | 34   | 24.8 | 6  | 9.8  | 12   |
| 9001003C | MRF O M C 6 1/8  | 1/8 | 6  | 12 | 29.8  | 30.9  | 34   | 23   | 6  | 9.8  | 11.5 |
| 9001101V | MRF O M V 6 1/8  | 1/8 | 6  | 12 | 29.8  | 30.9  | 34   | 23   | 6  | 9.8  | 11.5 |
| 9001605B | MRF O M B 6 1/8  | 1/8 | 6  | 12 | 29.8  | 30.9  | 34   | 23   | 6  | 9.8  | 11.5 |
| 9001005C | MRF O M C 8 1/8  | 1/8 | 8  | 12 | 29.8  | 30.9  | 34   | 24.8 | 6  | 9.8  | 13.8 |
| 9001103V | MRF O M V 8 1/8  | 1/8 | 8  | 12 | 29.8  | 30.9  | 34   | 24.8 | 6  | 9.8  | 13.8 |
| 9001607B | MRF O M B 8 1/8  | 1/8 | 8  | 12 | 29.8  | 30.9  | 34   | 24.8 | 6  | 9.8  | 13.8 |
| 9001004C | MRF O M C 6 1/4  | 1/4 | 6  | 15 | 35.4  | 37    | 38.9 | 24.5 | 8  | 11.1 | 11.5 |
| 9001102V | MRF O M V 6 1/4  | 1/4 | 6  | 15 | 35.4  | 37    | 38.9 | 24.5 | 8  | 11.1 | 11.5 |
| 9001606B | MRF O M B 6 1/4  | 1/4 | 6  | 15 | 35.4  | 37    | 38.9 | 24.5 | 8  | 11.1 | 11.5 |
| 9001006C | MRF O M C 8 1/4  | 1/4 | 8  | 15 | 35.4  | 37    | 38.9 | 26.5 | 8  | 11.1 | 13.8 |
| 9001104V | MRF O M V 8 1/4  | 1/4 | 8  | 15 | 35.4  | 37    | 38.9 | 26.5 | 8  | 11.1 | 13.8 |
| 9001608B | MRF O M B 8 1/4  | 1/4 | 8  | 15 | 35.4  | 37    | 38.9 | 26.5 | 8  | 11.1 | 13.8 |
| 9001008C | MRF O M C 10 1/4 | 1/4 | 10 | 15 | 35.4  | 37    | 38.9 | 31.4 | 8  | 11.1 | 16.5 |
| 9001106V | MRF O M V 10 1/4 | 1/4 | 10 | 15 | 35.4  | 37    | 38.9 | 31.4 | 8  | 11.1 | 16.5 |
| 9001609B | MRF O M B 10 1/4 | 1/4 | 10 | 15 | 35.4  | 37    | 38.9 | 31.4 | 8  | 11.1 | 16.5 |
| 9001014C | MRF O M C 12 1/4 | 1/4 | 12 | 15 | 35.4  | 37    | 38.9 | 33   | 8  | 11.1 | 19.5 |
| 9001123V | MRF O M V 12 1/4 | 1/4 | 12 | 15 | 35.4  | 37    | 38.9 | 33   | 8  | 11.1 | 19.5 |
| 9001623B | MRF O M B 12 1/4 | 1/4 | 12 | 15 | 35.4  | 37    | 38.9 | 33   | 8  | 11.1 | 19.5 |
| 9001009C | MRF O M C 10 3/8 | 3/8 | 10 | 19 | 42.7  | 42.7  | 49.5 | 32.8 | 9  | 13.4 | 16   |
| 9001114V | MRF O M V 10 3/8 | 3/8 | 10 | 19 | 42.7  | 42.7  | 49.5 | 32.8 | 9  | 13.4 | 16   |
| 9001610B | MRF O M B 10 3/8 | 3/8 | 10 | 19 | 42.7  | 42.7  | 49.5 | 32.8 | 9  | 13.4 | 16   |
| 9001015C | MRF O M C 12 3/8 | 3/8 | 12 | 19 | 42.7  | 42.7  | 49.5 | 35.3 | 9  | 13.4 | 19.5 |
| 9001124V | MRF O M V 12 3/8 | 3/8 | 12 | 19 | 42.7  | 42.7  | 49.5 | 35.3 | 9  | 13.4 | 19.5 |
| 9001624B | MRF O M B 12 3/8 | 3/8 | 12 | 19 | 42.7  | 42.7  | 49.5 | 35.3 | 9  | 13.4 | 19.5 |
| 9001016C | MRF O M C 12 1/2 | 1/2 | 12 | 22 | 50.6  | 51.4  | 55.3 | 37   | 11 | 15.9 | 19.5 |
| 9001125V | MRF O M V 12 1/2 | 1/2 | 12 | 22 | 50.6  | 51.4  | 55.3 | 37   | 11 | 15.9 | 19.5 |
| 9001625B | MRF O M B 12 1/2 | 1/2 | 12 | 22 | 50.6  | 51.4  | 55.3 | 37   | 11 | 15.9 | 19.5 |



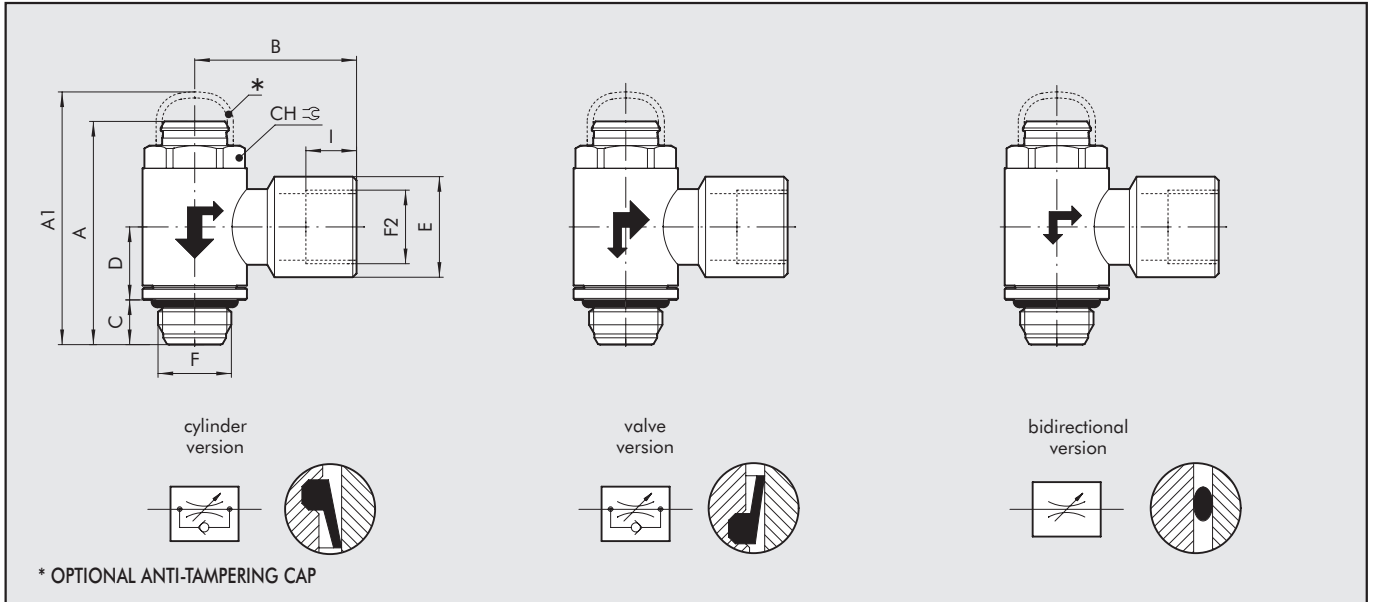
## MRF COMPACT "O" TECHNOPOLYMER RING



| CODE     | DESCRIPTION      | F   | Ø  | CH | A min | A max | A1   | B    | C  | D    | E    |
|----------|------------------|-----|----|----|-------|-------|------|------|----|------|------|
| 9011001C | MRF O T C 4 M5   | M5  | 4  | 9  | 23.9  | 25    | 26.5 | 19.1 | 4  | 9.5  | 9.2  |
| 9011110V | MRF O T V 4 M5   | M5  | 4  | 9  | 23.9  | 25    | 26.5 | 19.1 | 4  | 9.5  | 9.2  |
| 9011601B | MRF O T B 4 M5   | M5  | 4  | 9  | 23.9  | 25    | 26.5 | 19.1 | 4  | 9.5  | 9.2  |
| 9011007C | MRF O T C 6 M5   | M5  | 6  | 9  | 23.9  | 25    | 26.5 | 20.8 | 4  | 9.5  | 11.3 |
| 9011105V | MRF O T V 6 M5   | M5  | 6  | 9  | 23.9  | 25    | 26.5 | 20.8 | 4  | 9.5  | 11.3 |
| 9011612B | MRF O T B 6 M5   | M5  | 6  | 9  | 23.9  | 25    | 26.5 | 20.8 | 4  | 9.5  | 11.3 |
| 9011011C | MRF O T C 4 1/8  | 1/8 | 4  | 12 | 29.8  | 30.9  | 34   | 21   | 6  | 12.9 | 9.2  |
| 9011111V | MRF O T V 4 1/8  | 1/8 | 4  | 12 | 29.8  | 30.9  | 34   | 21   | 6  | 12.9 | 9.2  |
| 9011602B | MRF O T B 4 1/8  | 1/8 | 4  | 12 | 29.8  | 30.9  | 34   | 21   | 6  | 12.9 | 9.2  |
| 9011003C | MRF O T C 6 1/8  | 1/8 | 6  | 12 | 29.8  | 30.9  | 34   | 22.3 | 6  | 12.9 | 11.3 |
| 9011101V | MRF O T V 6 1/8  | 1/8 | 6  | 12 | 29.8  | 30.9  | 34   | 22.3 | 6  | 12.9 | 11.3 |
| 9011605B | MRF O T B 6 1/8  | 1/8 | 6  | 12 | 29.8  | 30.9  | 34   | 22.3 | 6  | 12.9 | 11.3 |
| 9011005C | MRF O T C 8 1/8  | 1/8 | 8  | 12 | 29.8  | 30.9  | 34   | 25.6 | 6  | 12.9 | 13.8 |
| 9011103V | MRF O T V 8 1/8  | 1/8 | 8  | 12 | 29.8  | 30.9  | 34   | 25.6 | 6  | 12.9 | 13.8 |
| 9011607B | MRF O T B 8 1/8  | 1/8 | 8  | 12 | 29.8  | 30.9  | 34   | 25.6 | 6  | 12.9 | 13.8 |
| 9011004C | MRF O T C 6 1/4  | 1/4 | 6  | 15 | 35.4  | 37    | 38.9 | 24.3 | 8  | 15   | 11.3 |
| 9011102V | MRF O T V 6 1/4  | 1/4 | 6  | 15 | 35.4  | 37    | 38.9 | 24.3 | 8  | 15   | 11.3 |
| 9011606B | MRF O T B 6 1/4  | 1/4 | 6  | 15 | 35.4  | 37    | 38.9 | 24.3 | 8  | 15   | 11.3 |
| 9011006C | MRF O T C 8 1/4  | 1/4 | 8  | 15 | 35.4  | 37    | 38.9 | 27.2 | 8  | 15   | 13.8 |
| 9011104V | MRF O T V 8 1/4  | 1/4 | 8  | 15 | 35.4  | 37    | 38.9 | 27.2 | 8  | 15   | 13.8 |
| 9011608B | MRF O T B 8 1/4  | 1/4 | 8  | 15 | 35.4  | 37    | 38.9 | 27.2 | 8  | 15   | 13.8 |
| 9011008C | MRF O T C 10 1/4 | 1/4 | 10 | 15 | 35.4  | 37    | 38.9 | 28.6 | 8  | 15   | 16   |
| 9011106V | MRF O T V 10 1/4 | 1/4 | 10 | 15 | 35.4  | 37    | 38.9 | 28.6 | 8  | 15   | 16   |
| 9011609B | MRF O T B 10 1/4 | 1/4 | 10 | 15 | 35.4  | 37    | 38.9 | 28.6 | 8  | 15   | 16   |
| 9011014C | MRF O T C 12 1/4 | 1/4 | 12 | 15 | 35.4  | 37    | 38.9 | 31   | 8  | 15   | 19.5 |
| 9011123V | MRF O T V 12 1/4 | 1/4 | 12 | 15 | 35.4  | 37    | 38.9 | 31   | 8  | 15   | 19.5 |
| 9011623B | MRF O T B 12 1/4 | 1/4 | 12 | 15 | 35.4  | 37    | 38.9 | 31   | 8  | 15   | 19.5 |
| 9011009C | MRF O T C 10 3/8 | 3/8 | 10 | 19 | 42.7  | 42.7  | 49.5 | 30.3 | 9  | 17.9 | 16   |
| 9011114V | MRF O T V 10 3/8 | 3/8 | 10 | 19 | 42.7  | 42.7  | 49.5 | 30.3 | 9  | 17.9 | 16   |
| 9011610B | MRF O T B 10 3/8 | 3/8 | 10 | 19 | 42.7  | 42.7  | 49.5 | 30.3 | 9  | 17.9 | 16   |
| 9011015C | MRF O T C 12 3/8 | 3/8 | 12 | 19 | 42.7  | 42.7  | 49.5 | 32.4 | 9  | 17.9 | 19.5 |
| 9011124V | MRF O T V 12 3/8 | 3/8 | 12 | 19 | 42.7  | 42.7  | 49.5 | 32.4 | 9  | 17.9 | 19.5 |
| 9011624B | MRF O T B 12 3/8 | 3/8 | 12 | 19 | 42.7  | 42.7  | 49.5 | 32.4 | 9  | 17.9 | 19.5 |
| 9011016C | MRF O T C 12 1/2 | 1/2 | 12 | 22 | 50.6  | 51.4  | 55.3 | 34   | 11 | 20.1 | 19.5 |
| 9011125V | MRF O T V 12 1/2 | 1/2 | 12 | 22 | 50.6  | 51.4  | 55.3 | 34   | 11 | 20.1 | 19.5 |
| 9011625B | MRF O T B 12 1/2 | 1/2 | 12 | 22 | 50.6  | 51.4  | 55.3 | 34   | 11 | 20.1 | 19.5 |



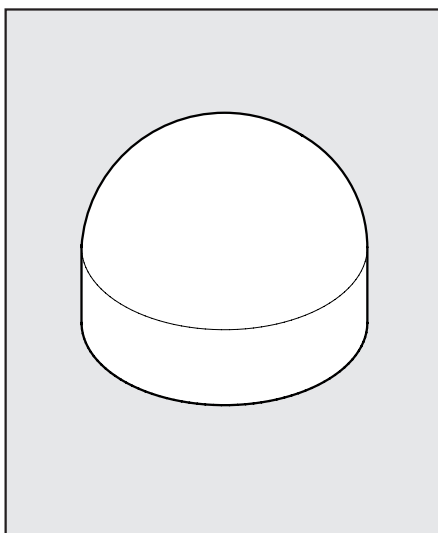
## MRF COMPACT "O" THREADED BRASS RING



| CODE     | DESCRIPTION       | F   | F2  | CH | A min | A max | A1   | B    | C | D    | E    | I   |
|----------|-------------------|-----|-----|----|-------|-------|------|------|---|------|------|-----|
| 9001020C | MRF O F C 1/8 1/8 | 1/8 | 1/8 | 12 | 29.8  | 30.9  | 34   | 21.4 | 6 | 9.8  | 13.3 | 6.7 |
| 9001120V | MRF O F V 1/8 1/8 | 1/8 | 1/8 | 12 | 29.8  | 30.9  | 34   | 21.4 | 6 | 9.8  | 13.3 | 6.7 |
| 9001620B | MRF O F B 1/8 1/8 | 1/8 | 1/8 | 12 | 29.8  | 30.9  | 34   | 21.4 | 6 | 9.8  | 13.3 | 6.7 |
| 9001021C | MRF O F C 1/4 1/4 | 1/4 | 1/4 | 15 | 35.4  | 37    | 38.9 | 25.5 | 8 | 11.1 | 16.7 | 8   |
| 9001121V | MRF O F V 1/4 1/4 | 1/4 | 1/4 | 15 | 35.4  | 37    | 38.9 | 25.5 | 8 | 11.1 | 16.7 | 8   |
| 9001621B | MRF O F B 1/4 1/4 | 1/4 | 1/4 | 15 | 35.4  | 37    | 38.9 | 25.5 | 8 | 11.1 | 16.7 | 8   |
| 9001022C | MRF O F C 3/8 3/8 | 3/8 | 3/8 | 19 | 42.7  | 42.7  | 49.5 | 31.5 | 9 | 13.4 | 20.2 | 10  |
| 9001122V | MRF O F V 3/8 3/8 | 3/8 | 3/8 | 19 | 42.7  | 42.7  | 49.5 | 31.5 | 9 | 13.4 | 20.2 | 10  |
| 9001622B | MRF O F B 3/8 3/8 | 3/8 | 3/8 | 19 | 42.7  | 42.7  | 49.5 | 31.5 | 9 | 13.4 | 20.2 | 10  |

## ACCESSORIES MRF COMPACT "O"

### ANTI-TAMPERING CAP



| CODE    | DESCRIPTION       |
|---------|-------------------|
| 9090001 | CAP MRF O M5      |
| 9090002 | CAP MRF O 1-8/1-4 |
| 9090003 | CAP MRF O 3-8/1-2 |

**NOTE:** Adjust the flow rate via the regulating pin.

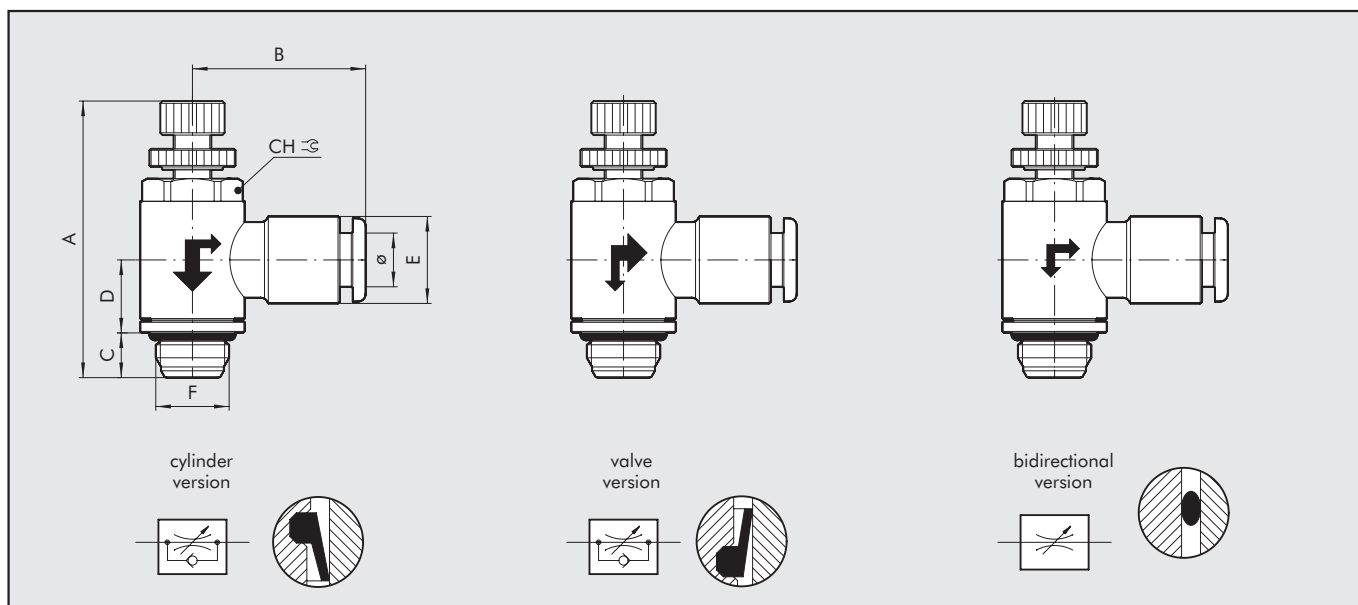
Apply the anti-tampering cap and press on firmly to prevent access to the regulation pin.

If the MRF needs to be recalibrated, remove the cap using the grippers provided.

**IMPORTANT:** The cap cannot be re-used after it has been removed.

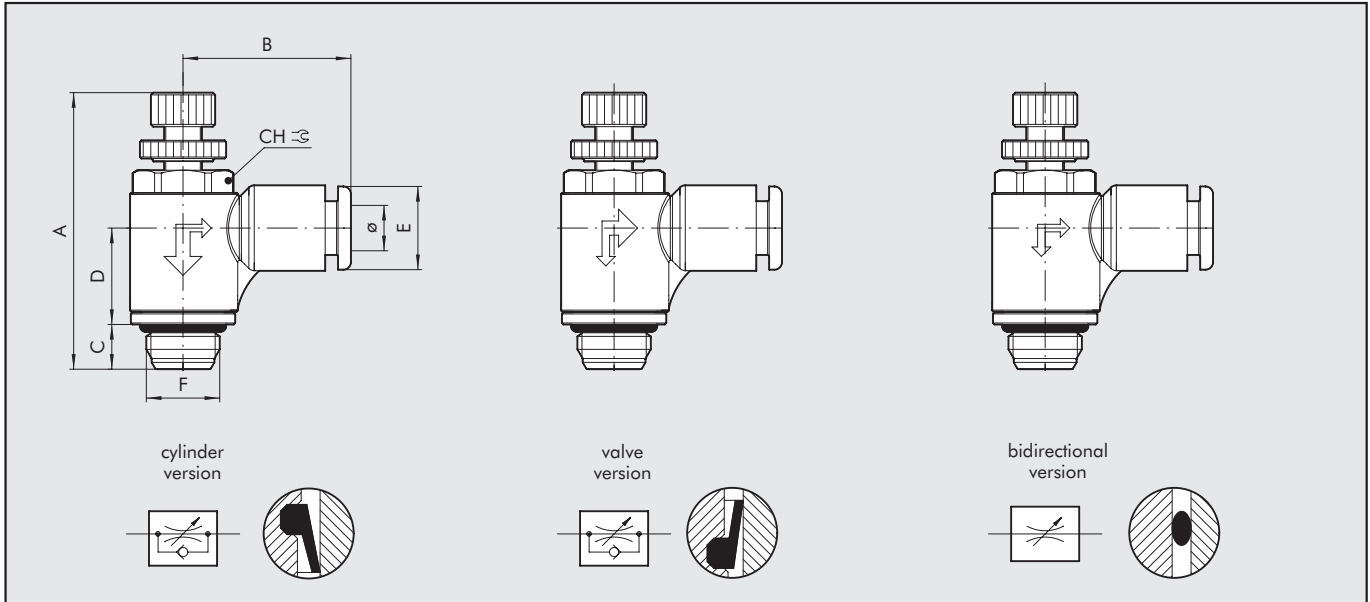


## MRF COMPACT "N" BRASS RING



| CODE     | DESCRIPTION      | F   | Ø  | CH | A min | A max | B    | C  | D    | E    |
|----------|------------------|-----|----|----|-------|-------|------|----|------|------|
| 9031001C | MRF N M C 4 M5   | M5  | 4  | 9  | 27.7  | 31    | 20.2 | 4  | 9.2  | 9.5  |
| 9031101V | MRF N M V 4 M5   | M5  | 4  | 9  | 27.7  | 31    | 20.2 | 4  | 9.2  | 9.5  |
| 9031201B | MRF N M B 4 M5   | M5  | 4  | 9  | 27.7  | 31    | 20.2 | 4  | 9.2  | 9.5  |
| 9031003C | MRF N M C 5 M5   | M5  | 5  | 9  | 27.7  | 31    | 23.8 | 4  | 9.2  | 12   |
| 9031103V | MRF N M V 5 M5   | M5  | 5  | 9  | 27.7  | 31    | 23.8 | 4  | 9.2  | 12   |
| 9031203B | MRF N M B 5 M5   | M5  | 5  | 9  | 27.7  | 31    | 23.8 | 4  | 9.2  | 12   |
| 9031005C | MRF N M C 6 M5   | M5  | 6  | 9  | 27.7  | 31    | 23.5 | 4  | 9.2  | 11.3 |
| 9031105V | MRF N M V 6 M5   | M5  | 6  | 9  | 27.7  | 31    | 23.5 | 4  | 9.2  | 11.3 |
| 9031205B | MRF N M B 6 M5   | M5  | 6  | 9  | 27.7  | 31    | 23.5 | 4  | 9.2  | 11.3 |
| 9031002C | MRF N M C 4 1/8  | 1/8 | 4  | 12 | 33.5  | 37.6  | 21.3 | 6  | 9.8  | 9.5  |
| 9031102V | MRF N M V 4 1/8  | 1/8 | 4  | 12 | 33.5  | 37.6  | 21.3 | 6  | 9.8  | 9.5  |
| 9031202B | MRF N M B 4 1/8  | 1/8 | 4  | 12 | 33.5  | 37.6  | 21.3 | 6  | 9.8  | 9.5  |
| 9031004C | MRF N M C 5 1/8  | 1/8 | 5  | 12 | 33.5  | 37.6  | 24.8 | 6  | 9.8  | 12   |
| 9031104V | MRF N M V 5 1/8  | 1/8 | 5  | 12 | 33.5  | 37.6  | 24.8 | 6  | 9.8  | 12   |
| 9031204B | MRF N M B 5 1/8  | 1/8 | 5  | 12 | 33.5  | 37.6  | 24.8 | 6  | 9.8  | 12   |
| 9031006C | MRF N M C 6 1/8  | 1/8 | 6  | 12 | 33.5  | 37.6  | 23   | 6  | 9.8  | 11.5 |
| 9031106V | MRF N M V 6 1/8  | 1/8 | 6  | 12 | 33.5  | 37.6  | 23   | 6  | 9.8  | 11.5 |
| 9031206B | MRF N M B 6 1/8  | 1/8 | 6  | 12 | 33.5  | 37.6  | 23   | 6  | 9.8  | 11.5 |
| 9031008C | MRF N M C 8 1/8  | 1/8 | 8  | 12 | 33.5  | 37.6  | 24.8 | 6  | 9.8  | 13.8 |
| 9031108V | MRF N M V 8 1/8  | 1/8 | 8  | 12 | 33.5  | 37.6  | 24.8 | 6  | 9.8  | 13.8 |
| 9031208B | MRF N M B 8 1/8  | 1/8 | 8  | 12 | 33.5  | 37.6  | 24.8 | 6  | 9.8  | 13.8 |
| 9031007C | MRF N M C 6 1/4  | 1/4 | 6  | 15 | 38.8  | 43.7  | 24.5 | 8  | 11.1 | 11.5 |
| 9031107V | MRF N M V 6 1/4  | 1/4 | 6  | 15 | 38.8  | 43.7  | 24.5 | 8  | 11.1 | 11.5 |
| 9031207B | MRF N M B 6 1/4  | 1/4 | 6  | 15 | 38.8  | 43.7  | 24.5 | 8  | 11.1 | 11.5 |
| 9031009C | MRF N M C 8 1/4  | 1/4 | 8  | 15 | 38.8  | 43.7  | 26.5 | 8  | 11.1 | 13.8 |
| 9031109V | MRF N M V 8 1/4  | 1/4 | 8  | 15 | 38.8  | 43.7  | 26.5 | 8  | 11.1 | 13.8 |
| 9031209B | MRF N M B 8 1/4  | 1/4 | 8  | 15 | 38.8  | 43.7  | 26.5 | 8  | 11.1 | 13.8 |
| 9031011C | MRF N M C 10 1/4 | 1/4 | 10 | 15 | 38.8  | 43.7  | 31.4 | 8  | 11.1 | 16.5 |
| 9031111V | MRF N M V 10 1/4 | 1/4 | 10 | 15 | 38.8  | 43.7  | 31.4 | 8  | 11.1 | 16.5 |
| 9031211B | MRF N M B 10 1/4 | 1/4 | 10 | 15 | 38.8  | 43.7  | 31.4 | 8  | 11.1 | 16.5 |
| 9031014C | MRF N M C 12 1/4 | 1/4 | 12 | 15 | 38.8  | 43.7  | 33   | 8  | 11.1 | 19.5 |
| 9031114V | MRF N M V 12 1/4 | 1/4 | 12 | 15 | 38.8  | 43.7  | 33   | 8  | 11.1 | 19.5 |
| 9031214B | MRF N M B 12 1/4 | 1/4 | 12 | 15 | 38.8  | 43.7  | 33   | 8  | 11.1 | 19.5 |
| 9031012C | MRF N M C 10 3/8 | 3/8 | 10 | 19 | 47.2  | 52    | 32.8 | 9  | 13.4 | 16   |
| 9031112V | MRF N M V 10 3/8 | 3/8 | 10 | 19 | 47.2  | 52    | 32.8 | 9  | 13.4 | 16   |
| 9031212B | MRF N M B 10 3/8 | 3/8 | 10 | 19 | 47.2  | 52    | 32.8 | 9  | 13.4 | 16   |
| 9031015C | MRF N M C 12 3/8 | 3/8 | 12 | 19 | 47.2  | 52    | 35.3 | 9  | 13.4 | 19.5 |
| 9031115V | MRF N M V 12 3/8 | 3/8 | 12 | 19 | 47.2  | 52    | 35.3 | 9  | 13.4 | 19.5 |
| 9031215B | MRF N M B 12 3/8 | 3/8 | 12 | 19 | 47.2  | 52    | 35.3 | 9  | 13.4 | 19.5 |
| 9031016C | MRF N M C 12 1/2 | 1/2 | 12 | 22 | 53    | 59.8  | 37   | 11 | 15.9 | 19.5 |
| 9031116V | MRF N M V 12 1/2 | 1/2 | 12 | 22 | 53    | 59.8  | 37   | 11 | 15.9 | 19.5 |
| 9031216B | MRF N M B 12 1/2 | 1/2 | 12 | 22 | 53    | 59.8  | 37   | 11 | 15.9 | 19.5 |

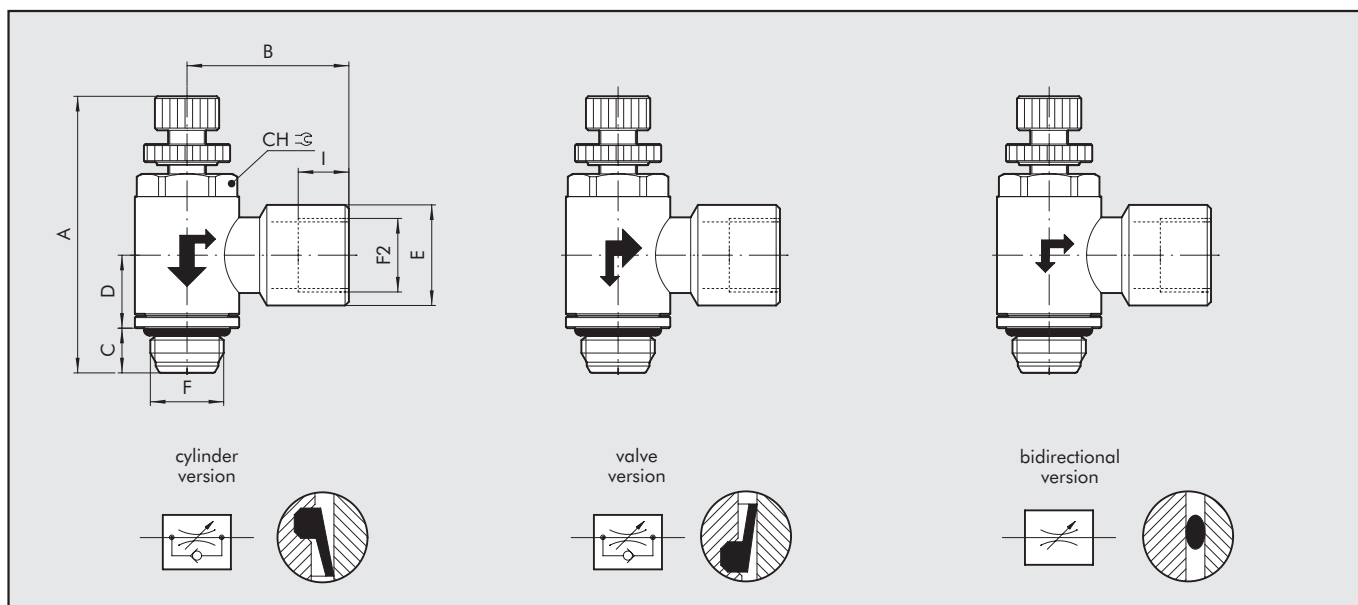
### MRF COMPACT "N" TECHNOPOLYMER RING



| CODE     | DESCRIPTION      | F   | Ø  | CH | A min | A max | B    | C  | D    | E    |
|----------|------------------|-----|----|----|-------|-------|------|----|------|------|
| 9021001C | MRF N T C 4 M5   | M5  | 4  | 9  | 27.7  | 31    | 19.1 | 4  | 9.5  | 9.2  |
| 9021101V | MRF N T V 4 M5   | M5  | 4  | 9  | 27.7  | 31    | 19.1 | 4  | 9.5  | 9.2  |
| 9021201B | MRF N T B 4 M5   | M5  | 4  | 9  | 27.7  | 31    | 19.1 | 4  | 9.5  | 9.2  |
| 9021005C | MRF N T C 6 M5   | M5  | 6  | 9  | 27.7  | 31    | 20.8 | 4  | 9.5  | 11.3 |
| 9021105V | MRF N T V 6 M5   | M5  | 6  | 9  | 27.7  | 31    | 20.8 | 4  | 9.5  | 11.3 |
| 9021205B | MRF N T B 6 M5   | M5  | 6  | 9  | 27.7  | 31    | 20.8 | 4  | 9.5  | 11.3 |
| 9021002C | MRF N T C 4 1/8  | 1/8 | 4  | 12 | 33.5  | 37.6  | 21   | 6  | 12.9 | 9.2  |
| 9021102V | MRF N T V 4 1/8  | 1/8 | 4  | 12 | 33.5  | 37.6  | 21   | 6  | 12.9 | 9.2  |
| 9021202B | MRF N T B 4 1/8  | 1/8 | 4  | 12 | 33.5  | 37.6  | 21   | 6  | 12.9 | 9.2  |
| 9021006C | MRF N T C 6 1/8  | 1/8 | 6  | 12 | 33.5  | 37.6  | 22.3 | 6  | 12.9 | 11.3 |
| 9021106V | MRF N T V 6 1/8  | 1/8 | 6  | 12 | 33.5  | 37.6  | 22.3 | 6  | 12.9 | 11.3 |
| 9021206B | MRF N T B 6 1/8  | 1/8 | 6  | 12 | 33.5  | 37.6  | 22.3 | 6  | 12.9 | 11.3 |
| 9021008C | MRF N T C 8 1/8  | 1/8 | 8  | 12 | 33.5  | 37.6  | 25.6 | 6  | 12.9 | 13.8 |
| 9021108V | MRF N T V 8 1/8  | 1/8 | 8  | 12 | 33.5  | 37.6  | 25.6 | 6  | 12.9 | 13.8 |
| 9021208B | MRF N T B 8 1/8  | 1/8 | 8  | 12 | 33.5  | 37.6  | 25.6 | 6  | 12.9 | 13.8 |
| 9021007C | MRF N T C 6 1/4  | 1/4 | 6  | 15 | 38.8  | 43.7  | 24.3 | 8  | 15   | 11.3 |
| 9021107V | MRF N T V 6 1/4  | 1/4 | 6  | 15 | 38.8  | 43.7  | 24.3 | 8  | 15   | 11.3 |
| 9021207B | MRF N T B 6 1/4  | 1/4 | 6  | 15 | 38.8  | 43.7  | 24.3 | 8  | 15   | 11.3 |
| 9021009C | MRF N T C 8 1/4  | 1/4 | 8  | 15 | 38.8  | 43.7  | 27.2 | 8  | 15   | 13.8 |
| 9021109V | MRF N T V 8 1/4  | 1/4 | 8  | 15 | 38.8  | 43.7  | 27.2 | 8  | 15   | 13.8 |
| 9021209B | MRF N T B 8 1/4  | 1/4 | 8  | 15 | 38.8  | 43.7  | 27.2 | 8  | 15   | 13.8 |
| 9021011C | MRF N T C 10 1/4 | 1/4 | 10 | 15 | 38.8  | 43.7  | 28.6 | 8  | 15   | 16   |
| 9021111V | MRF N T V 10 1/4 | 1/4 | 10 | 15 | 38.8  | 43.7  | 28.6 | 8  | 15   | 16   |
| 9021211B | MRF N T B 10 1/4 | 1/4 | 10 | 15 | 38.8  | 43.7  | 28.6 | 8  | 15   | 16   |
| 9021014C | MRF N T C 12 1/4 | 1/4 | 12 | 15 | 38.8  | 43.7  | 31   | 8  | 15   | 19.5 |
| 9021114V | MRF N T V 12 1/4 | 1/4 | 12 | 15 | 38.8  | 43.7  | 31   | 8  | 15   | 19.5 |
| 9021214B | MRF N T B 12 1/4 | 1/4 | 12 | 15 | 38.8  | 43.7  | 31   | 8  | 15   | 19.5 |
| 9021012C | MRF N T C 10 3/8 | 3/8 | 10 | 19 | 47.2  | 52    | 30.3 | 9  | 17.9 | 16   |
| 9021112V | MRF N T V 10 3/8 | 3/8 | 10 | 19 | 47.2  | 52    | 30.3 | 9  | 17.9 | 16   |
| 9021212B | MRF N T B 10 3/8 | 3/8 | 10 | 19 | 47.2  | 52    | 30.3 | 9  | 17.9 | 16   |
| 9021015C | MRF N T C 12 3/8 | 3/8 | 12 | 19 | 47.2  | 52    | 32.4 | 9  | 17.9 | 19.5 |
| 9021115V | MRF N T V 12 3/8 | 3/8 | 12 | 19 | 47.2  | 52    | 32.4 | 9  | 17.9 | 19.5 |
| 9021215B | MRF N T B 12 3/8 | 3/8 | 12 | 19 | 47.2  | 52    | 32.4 | 9  | 17.9 | 19.5 |
| 9021016C | MRF N T C 12 1/2 | 1/2 | 12 | 22 | 53    | 59.8  | 34   | 11 | 20.1 | 19.5 |
| 9021116V | MRF N T V 12 1/2 | 1/2 | 12 | 22 | 53    | 59.8  | 34   | 11 | 20.1 | 19.5 |
| 9021216B | MRF N T B 12 1/2 | 1/2 | 12 | 22 | 53    | 59.8  | 34   | 11 | 20.1 | 19.5 |



## MRF COMPACT "N" THREADED BRASS RING



| CODE     | DESCRIPTION       | F   | F2  | CH | A min | A max | B    | C | D    | E    | I   |
|----------|-------------------|-----|-----|----|-------|-------|------|---|------|------|-----|
| 9031301C | MRF N F C 1/8 1/8 | 1/8 | 1/8 | 12 | 33.5  | 37.6  | 21.4 | 6 | 9.8  | 13.3 | 6.7 |
| 9031401V | MRF N F V 1/8 1/8 | 1/8 | 1/8 | 12 | 33.5  | 37.6  | 21.4 | 6 | 9.8  | 13.3 | 6.7 |
| 9031501B | MRF N F B 1/8 1/8 | 1/8 | 1/8 | 12 | 33.5  | 37.6  | 21.4 | 6 | 9.8  | 13.3 | 6.7 |
| 9031302C | MRF N F C 1/4 1/4 | 1/4 | 1/4 | 15 | 38.8  | 43.7  | 25.5 | 8 | 11.1 | 16.7 | 8   |
| 9031402V | MRF N F V 1/4 1/4 | 1/4 | 1/4 | 15 | 38.8  | 43.7  | 25.5 | 8 | 11.1 | 16.7 | 8   |
| 9031502B | MRF N F B 1/4 1/4 | 1/4 | 1/4 | 15 | 38.8  | 43.7  | 25.5 | 8 | 11.1 | 16.7 | 8   |
| 9031303C | MRF N F C 3/8 3/8 | 3/8 | 3/8 | 19 | 47.2  | 52    | 31.5 | 9 | 13.4 | 20.2 | 10  |
| 9031403V | MRF N F V 3/8 3/8 | 3/8 | 3/8 | 19 | 47.2  | 52    | 31.5 | 9 | 13.4 | 20.2 | 10  |
| 9031503B | MRF N F B 3/8 3/8 | 3/8 | 3/8 | 19 | 47.2  | 52    | 31.5 | 9 | 13.4 | 20.2 | 10  |

## NOTES

# MICROREGULATOR Series HIGH-FLOW

**Main features:**

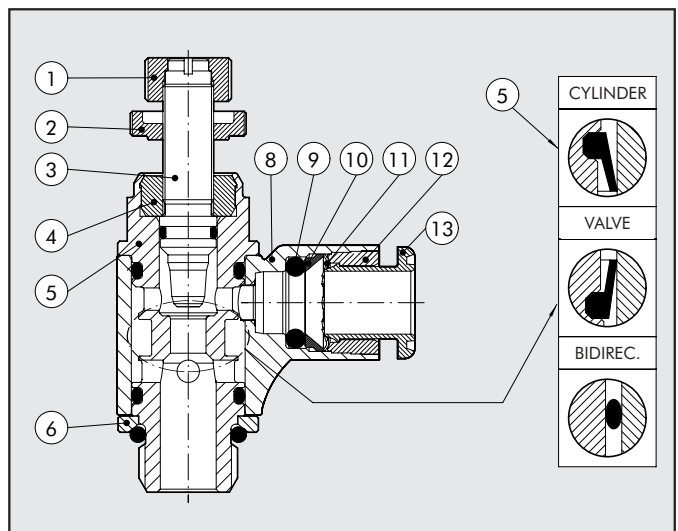
- high flow rate during regulation and discharge
- excellent regulation features
- regulation using a screwdriver and/or a knob and fixing using a ring nut
- available in sizes 1/8" and 1/4" only with a technopolymer ring
- can be mounted with an automatic screwdriver
- fitted with a swivel ring with the MRF mounted in position.



| TECHNICAL DATA                                      | 1/8"  |     |     | 1/4" |      |      |      |
|---|---|-----|-----|------|------|------|------|
|   | Ø 4   | Ø 6 | Ø 8 | Ø 6  | Ø 8  | Ø 10 | Ø 12 |
| Pipe  |   |     |     |      |      |      |      |
| Max input pressure                                  | 1   |     |     |      |      |      |      |
|   | 10  |     |     |      |      |      |      |
|   | 145   |     |     |      |      |      |      |
| Temperature range: technopolymer ring               | -10 ÷ +50   |     |     |      |      |      |      |
|   | +14 ÷ +122  |     |     |      |      |      |      |
| Max flow rate on regulation at 6.3 bar              | 500   | 600 | 650 | 850  | 900  | 1150 | 1200 |
| Max flow rate on exhaust at 6.3 bar with closed pin | 400   | 500 | 600 | 700  | 850  | 875  | 950  |
| Max flow rate on exhaust at 6.3 bar with open pin   | 500   | 750 | 900 | 1000 | 1250 | 1350 | 1450 |
| Regulation  | Manual or via screwdriver                           |     |     |      |      |      |      |
| Internal system                                     | Tapered pin   |     |     |      |      |      |      |
| Fluid   | Filtered, lubricated or unlubricated compressed air |     |     |      |      |      |      |
|   |   |     |     |      |      |      |      |
|   |   |     |     |      |      |      |      |
|   |   |     |     |      |      |      |      |
|   |   |     |     |      |      |      |      |

## COMPONENTS

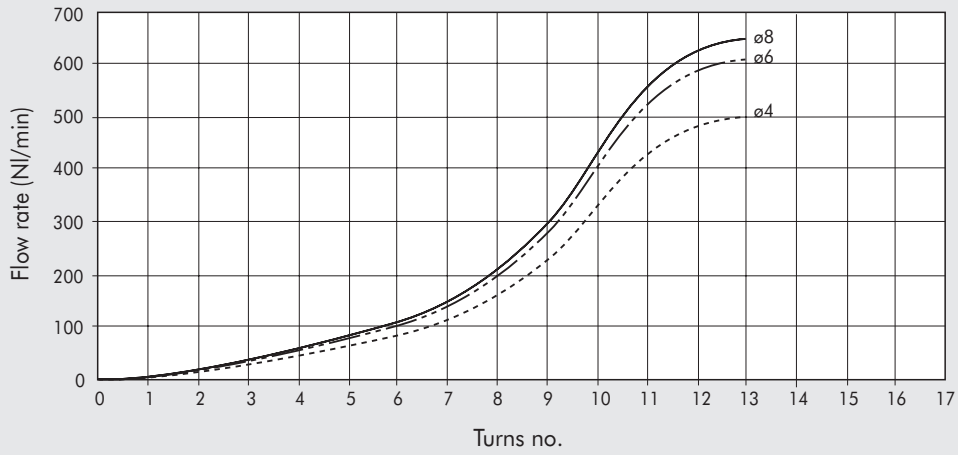
- 1 Nickel-plated brass knob
- 2 Nickel-plated brass securing ring nut
- 3 Brass pin
- 4 Nickel-plated brass bush
- 5 Nickel-plated brass body
- 6 Nickel-plated brass retaining ring
- 7 NBR gasket
- 8 Technopolymer swivel ring
- 9 NBR gasket
- 10 Technopolymer spring supporting ring
- 11 Stainless steel grabbing spring
- 12 Technopolymer retaining bush
- 13 Technopolymer release bush



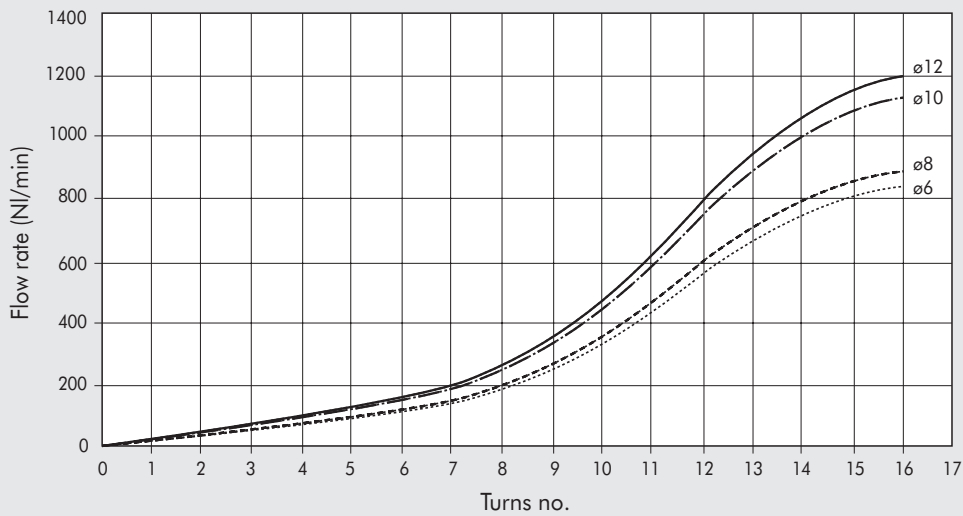


FLOW RATE CHARTS AT 6.3 bar DEPENDING ON THE TURNS EFFECTED  
BY THE REGULATION SCREW

MRF 1/8'' - PIPE Ø4 - Ø6 - Ø8



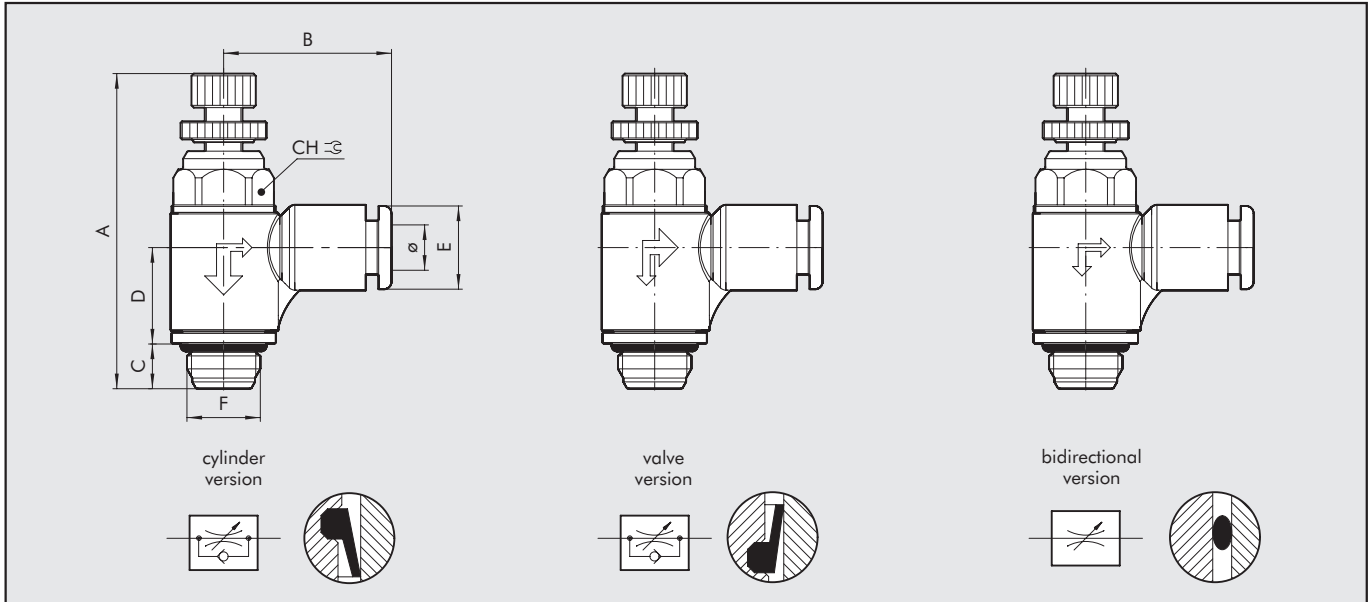
MRF 1/4'' - PIPE Ø6 - Ø8 - Ø10 - Ø12



NOTES

Blank area for notes with horizontal lines.

## MRF HIGH-FLOW



| CODE     | DESCRIPTION      | F   | Ø  | CH | A min | A max | B    | C | D    | E    |
|----------|------------------|-----|----|----|-------|-------|------|---|------|------|
| 9025002C | MRF H T C 4 1/8  | 1/8 | 4  | 12 | 38.5  | 43.3  | 21   | 6 | 12.9 | 9.2  |
| 9025102V | MRF H T V 4 1/8  | 1/8 | 4  | 12 | 38.5  | 43.3  | 21   | 6 | 12.9 | 9.2  |
| 9025602B | MRF H T B 4 1/8  | 1/8 | 4  | 12 | 38.5  | 43.3  | 21   | 6 | 12.9 | 9.2  |
| 9025006C | MRF H T C 6 1/8  | 1/8 | 6  | 12 | 38.5  | 43.3  | 22.3 | 6 | 12.9 | 11.3 |
| 9025106V | MRF H T V 6 1/8  | 1/8 | 6  | 12 | 38.5  | 43.3  | 22.3 | 6 | 12.9 | 11.3 |
| 9025606B | MRF H T B 6 1/8  | 1/8 | 6  | 12 | 38.5  | 43.3  | 22.3 | 6 | 12.9 | 11.3 |
| 9025008C | MRF H T C 8 1/8  | 1/8 | 8  | 12 | 38.5  | 43.3  | 25.6 | 6 | 12.9 | 13.8 |
| 9025108V | MRF H T V 8 1/8  | 1/8 | 8  | 12 | 38.5  | 43.3  | 25.6 | 6 | 12.9 | 13.8 |
| 9025608B | MRF H T B 8 1/8  | 1/8 | 8  | 12 | 38.5  | 43.3  | 25.6 | 6 | 12.9 | 13.8 |
| 9025007C | MRF H T C 6 1/4  | 1/4 | 6  | 15 | 44.3  | 49.8  | 24.3 | 8 | 15   | 11.3 |
| 9025107V | MRF H T V 6 1/4  | 1/4 | 6  | 15 | 44.3  | 49.8  | 24.3 | 8 | 15   | 11.3 |
| 9025607B | MRF H T B 6 1/4  | 1/4 | 6  | 15 | 44.3  | 49.8  | 24.3 | 8 | 15   | 11.3 |
| 9025009C | MRF H T C 8 1/4  | 1/4 | 8  | 15 | 44.3  | 49.8  | 27.2 | 8 | 15   | 13.8 |
| 9025109V | MRF H T V 8 1/4  | 1/4 | 8  | 15 | 44.3  | 49.8  | 27.2 | 8 | 15   | 13.8 |
| 9025609B | MRF H T B 8 1/4  | 1/4 | 8  | 15 | 44.3  | 49.8  | 27.2 | 8 | 15   | 13.8 |
| 9025011C | MRF H T C 10 1/4 | 1/4 | 10 | 15 | 44.3  | 49.8  | 28.6 | 8 | 15   | 16   |
| 9025111V | MRF H T V 10 1/4 | 1/4 | 10 | 15 | 44.3  | 49.8  | 28.6 | 8 | 15   | 16   |
| 9025611B | MRF H T B 10 1/4 | 1/4 | 10 | 15 | 44.3  | 49.8  | 28.6 | 8 | 15   | 16   |
| 9025014C | MRF H T C 12 1/4 | 1/4 | 12 | 15 | 44.3  | 49.8  | 31   | 8 | 15   | 19.5 |
| 9025114V | MRF H T V 12 1/4 | 1/4 | 12 | 15 | 44.3  | 49.8  | 31   | 8 | 15   | 19.5 |
| 9025614B | MRF H T B 12 1/4 | 1/4 | 12 | 15 | 44.3  | 49.8  | 31   | 8 | 15   | 19.5 |

## KEY TO CODING

| M R F   | H           | T                                    | C  | 4  | 1/8                        |
|---------|-------------|--------------------------------------|--|--|----------------------------|
| ELEMENT | TYPE        | RING                                 | FUNCTION   | Ø PIPE   | Ø THREAD                   |
|         | H high flow | T technopolymer with push-in fitting | C for cylinder<br>V for valve<br>B bidirectional | 4: Ø 4<br>6: Ø 6<br>8: Ø 8<br>10: Ø 10<br>12: Ø 12 | 1/8: G 1/8"<br>1/4: G 1/4" |

# MICROREGULATOR Series PUSH-LOCK



## Main features:

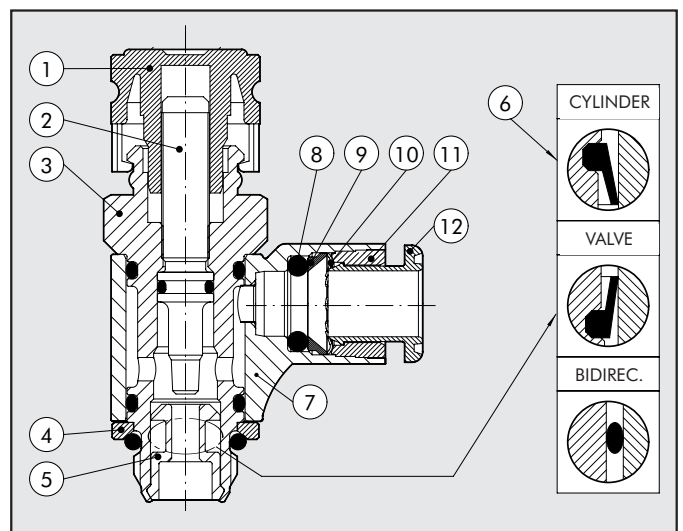
- excellent regulation
- regulation with a push-lock knob: when the desired position has been reached, the knob can be moved to the lock position to maintain the set regulation
- possibility of purchasing the anti-tampering cap that, when pushed into the lock position, prevents the MRF from being operated and any undesired regulation.
- available in the sizes 1-8" and 1/4" only with a technopolymer ring
- can be fitted with an automatic screwdriver
- come with a swivel ring with the MRF mounted in position.



| TECHNICAL DATA                                 |  | 1/8"  |     |     | 1/4" |      |      |      |
|--|--|---|-----|-----|------|------|------|------|
|  |  | Ø 4   | Ø 6 | Ø 8 | Ø 6  | Ø 8  | Ø 10 | Ø 12 |
| Pipe   |  |   |     |     |      |      |      |      |
| Max. input pressure                            | MPa  | 1   |     |     |      |      |      |      |
|  | bar  | 10  |     |     |      |      |      |      |
|  | psi  | 145   |     |     |      |      |      |      |
| Temperature range:                             | technopolymer ring                               | -10 ÷ +50   |     |     |      |      |      |      |
|  | brass ring                                       | -10 ÷ +70   |     |     |      |      |      |      |
| Max. flow rate on regulation at 6.3 bar        | NI/min   | 350   | 380 | 400 | 750  | 850  | 950  | 1000 |
|  | Max. flow rate on exhaust at 6.3 with closed pin | NI/min  | 300 | 350 | 390  | 450  | 475  | 500  |
| Max. flow rate on exhaust at 6.3 with open pin | NI/min   | 450   | 600 | 650 | 850  | 1050 | 1150 | 1250 |
| Regulation                                     |  | Manual with Push-Lock knob                          |     |     |      |      |      |      |
| Internal system                                |  | Tapered pin   |     |     |      |      |      |      |
| Fluid  |  | Filtered, lubricated or unlubricated compressed air |     |     |      |      |      |      |

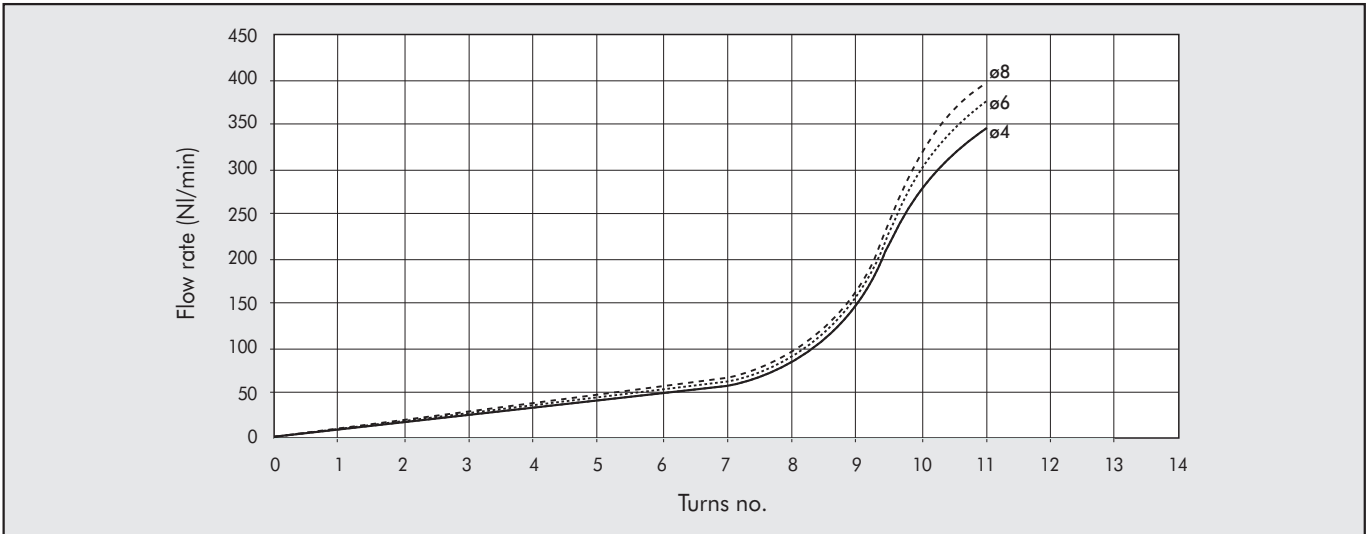
## COMPONENTS

- ① Technopolymer knob
- ② Brass pin
- ③ Nickel-plated brass body
- ④ Nickel-plated brass retaining ring
- ⑤ Brass gasket holder insert
- ⑥ NBR gasket
- ⑦ Technopolymer revolving ring
- ⑧ NBR gasket
- ⑨ Technopolymer spring supporting ring
- ⑩ Stainless steel grabbing spring
- ⑪ Technopolymer retaining bush
- ⑫ Technopolymer release bush

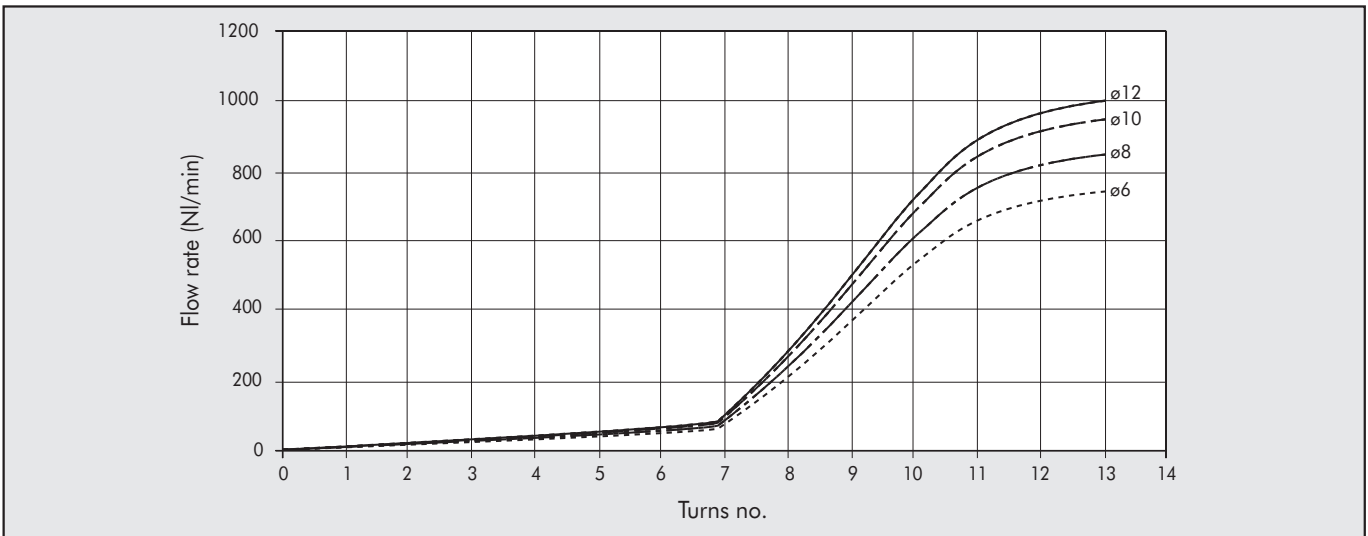




MRF 1/8'' - PIPE Ø4 - Ø6 - Ø8



MRF 1/4'' - PIPE Ø6 - Ø8 - Ø10 - Ø12

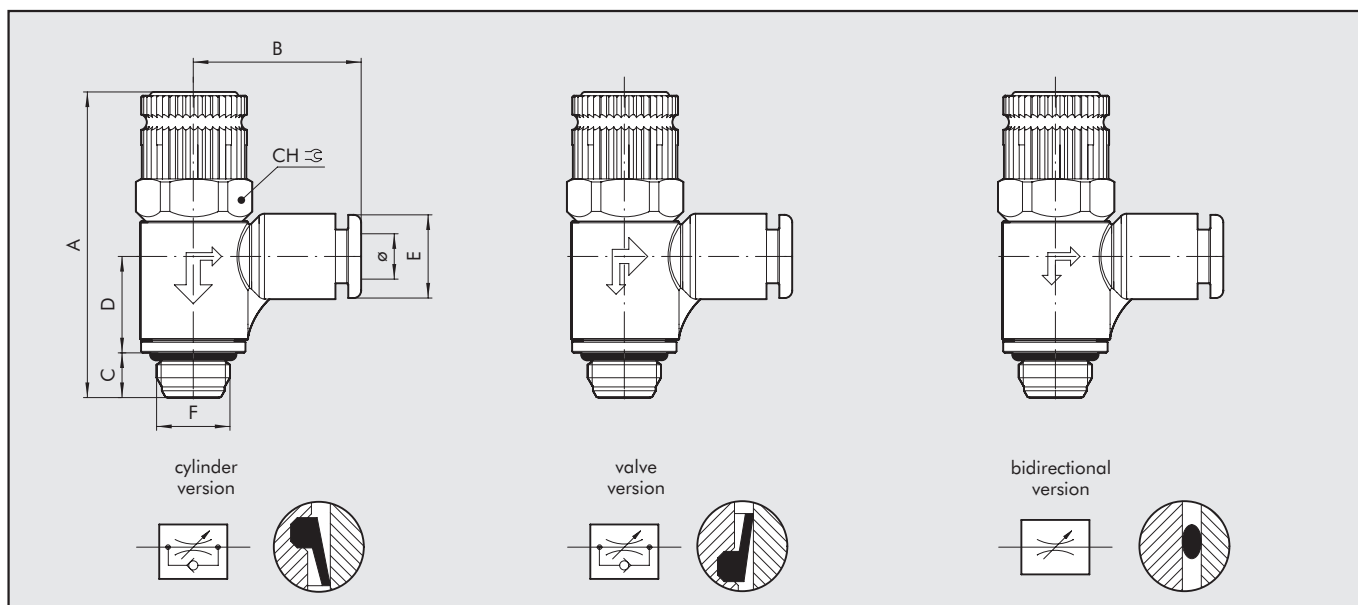


NOTES

Blank area for notes with horizontal lines.



## MRF PUSH-LOCK



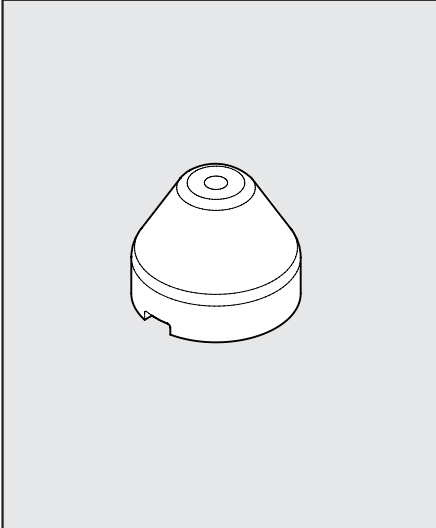
| CODE     | DESCRIPTION      | F   | Ø  | CH | A min | A max | B    | C | D    | E    |
|----------|------------------|-----|----|----|-------|-------|------|---|------|------|
| 9026002C | MRF P T C 4 1/8  | 1/8 | 4  | 14 | 41.2  | 43.4  | 21   | 6 | 12.9 | 9.2  |
| 9026102V | MRF P T V 4 1/8  | 1/8 | 4  | 14 | 41.2  | 43.4  | 21   | 6 | 12.9 | 9.2  |
| 9026602B | MRF P T B 4 1/8  | 1/8 | 4  | 14 | 41.2  | 43.4  | 21   | 6 | 12.9 | 9.2  |
| 9026006C | MRF P T C 6 1/8  | 1/8 | 6  | 14 | 41.2  | 43.4  | 22.3 | 6 | 12.9 | 11.3 |
| 9026106V | MRF P T V 6 1/8  | 1/8 | 6  | 14 | 41.2  | 43.4  | 22.3 | 6 | 12.9 | 11.3 |
| 9026606B | MRF P T B 6 1/8  | 1/8 | 6  | 14 | 41.2  | 43.4  | 22.3 | 6 | 12.9 | 11.3 |
| 9026008C | MRF P T C 8 1/8  | 1/8 | 8  | 14 | 41.2  | 43.4  | 25.6 | 6 | 12.9 | 13.8 |
| 9026108V | MRF P T V 8 1/8  | 1/8 | 8  | 14 | 41.2  | 43.4  | 25.6 | 6 | 12.9 | 13.8 |
| 9026608B | MRF P T B 8 1/8  | 1/8 | 8  | 14 | 41.2  | 43.4  | 25.6 | 6 | 12.9 | 13.8 |
| 9026007C | MRF P T C 6 1/4  | 1/4 | 6  | 15 | 46.6  | 48.8  | 24.3 | 8 | 15   | 11.3 |
| 9026107V | MRF P T V 6 1/4  | 1/4 | 6  | 15 | 46.6  | 48.8  | 24.3 | 8 | 15   | 11.3 |
| 9026607B | MRF P T B 6 1/4  | 1/4 | 6  | 15 | 46.6  | 48.8  | 24.3 | 8 | 15   | 11.3 |
| 9026009C | MRF P T C 8 1/4  | 1/4 | 8  | 15 | 46.6  | 48.8  | 27.2 | 8 | 15   | 13.8 |
| 9026109V | MRF P T V 8 1/4  | 1/4 | 8  | 15 | 46.6  | 48.8  | 27.2 | 8 | 15   | 13.8 |
| 9026609B | MRF P T B 8 1/4  | 1/4 | 8  | 15 | 46.6  | 48.8  | 27.2 | 8 | 15   | 13.8 |
| 9026011C | MRF P T C 10 1/4 | 1/4 | 10 | 15 | 46.6  | 48.8  | 28.6 | 8 | 15   | 16   |
| 9026111V | MRF P T V 10 1/4 | 1/4 | 10 | 15 | 46.6  | 48.8  | 28.6 | 8 | 15   | 16   |
| 9026611B | MRF P T B 10 1/4 | 1/4 | 10 | 15 | 46.6  | 48.8  | 28.6 | 8 | 15   | 16   |
| 9026014C | MRF P T C 12 1/4 | 1/4 | 12 | 15 | 46.6  | 48.8  | 31   | 8 | 15   | 19.5 |
| 9026114V | MRF P T V 12 1/4 | 1/4 | 12 | 15 | 46.6  | 48.8  | 31   | 8 | 15   | 19.5 |
| 9026614B | MRF P T B 12 1/4 | 1/4 | 12 | 15 | 46.6  | 48.8  | 31   | 8 | 15   | 19.5 |

## KEY TO CODING

| M       | R | F | P         | T                                  | C  | 4  | 1/8                        |
|---------|---|---|-----------|------------------------------------|--|--|----------------------------|
| ELEMENT |   |   | TYPE      | RING                               | FUNCTION                                   | Ø PIPE   | Ø THREAD                   |
|         |   |   | P         | T                                  | C  | 4  | 1/8                        |
|         |   |   | push-lock | technopolymer with push-in fitting | for cylinder<br>for valve<br>bidirectional | 4: Ø 4<br>6: Ø 6<br>8: Ø 8<br>10: Ø 10<br>12: Ø 12 | 1/8: G 1/8"<br>1/4: G 1/4" |

## ACCESSORIES MRF PUSH-LOCK

### ANTI-TAMPERING KNOB



| CODE    | DESCRIPTION         |
|---------|---------------------|
| 9200703 | ANTI-TAMPERING KNOB |

**NOTE:** Remove the knob on the Push-Lock MRF by pulling outwards. Fit on the anti-tampering knob and make the necessary settings.

When the MRF has been set, press the knob firmly until it locks in position. If the MRF needs to be recalibrated, remove the anti-tampering knob and push laterally using a screwdriver.

### NOTES