

Baumer electric

SENSOFIX Flexible Sensor Mounting Brackets



► Various Mounting Options:

The SENSOFIX may be mounted on aluminum extrusion via clamping bolts, or to any 8mm diameter rod. It may also be mounted directly to machine components - anywhere an M6 hole may be drilled.

► Part Numbers

Sensor Style	Part #
08 mm Tubular	151719
10 mm Square (xxDK 10)	150326 ¹
12 mm Square (xxDM 12)	150328
12 mm Tubular	151720
14 mm Square (xxDK 14)	149011
16 mm Square (xxDM 16)	151721
18 mm Tubular	151658
20 mm Square (xxDK 20)	150326 ¹

¹ part number for the 10 and 20 series are the same. They each have separate datasheets for mounting considerations.

► **Flexible Mounting:** Various orientations between bracket & plate are possible, providing numerous potential sensor positions.

► **Small and Compact:** The SENSOFIX requires space only slightly larger than the actual sensor.

► **Large Range of Motion**
Thanks to the innovative ball-clamp, the SENSOFIX can be easily adjusted via allen bolts to cover 360° of rotation and 245° of angular movement.

► **Durable:** Manufactured of stainless and galvanized steel, to strictest tolerances, the SENSOFIX will survive in even harsh industrial environments.

Baumer electric

Leading in Precision Sensing

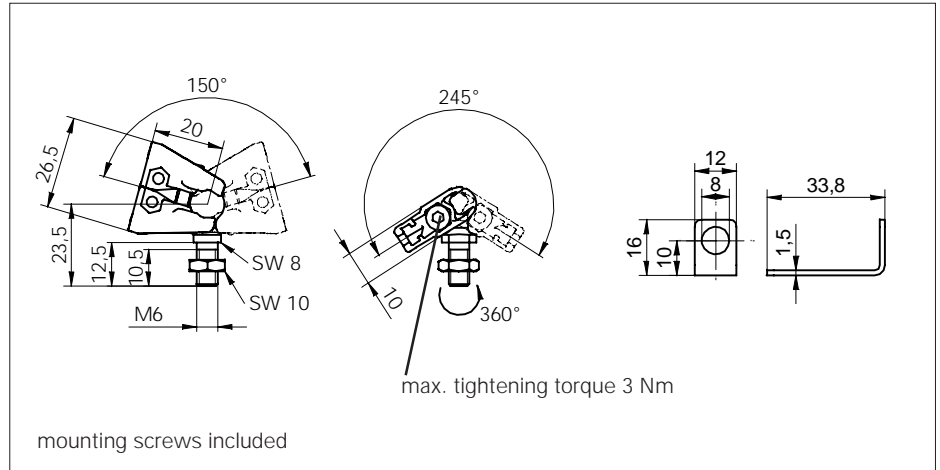
122 Spring Street, C-6
Southington, CT 06489
800.937.9336

www.baumerelectric.com/usa

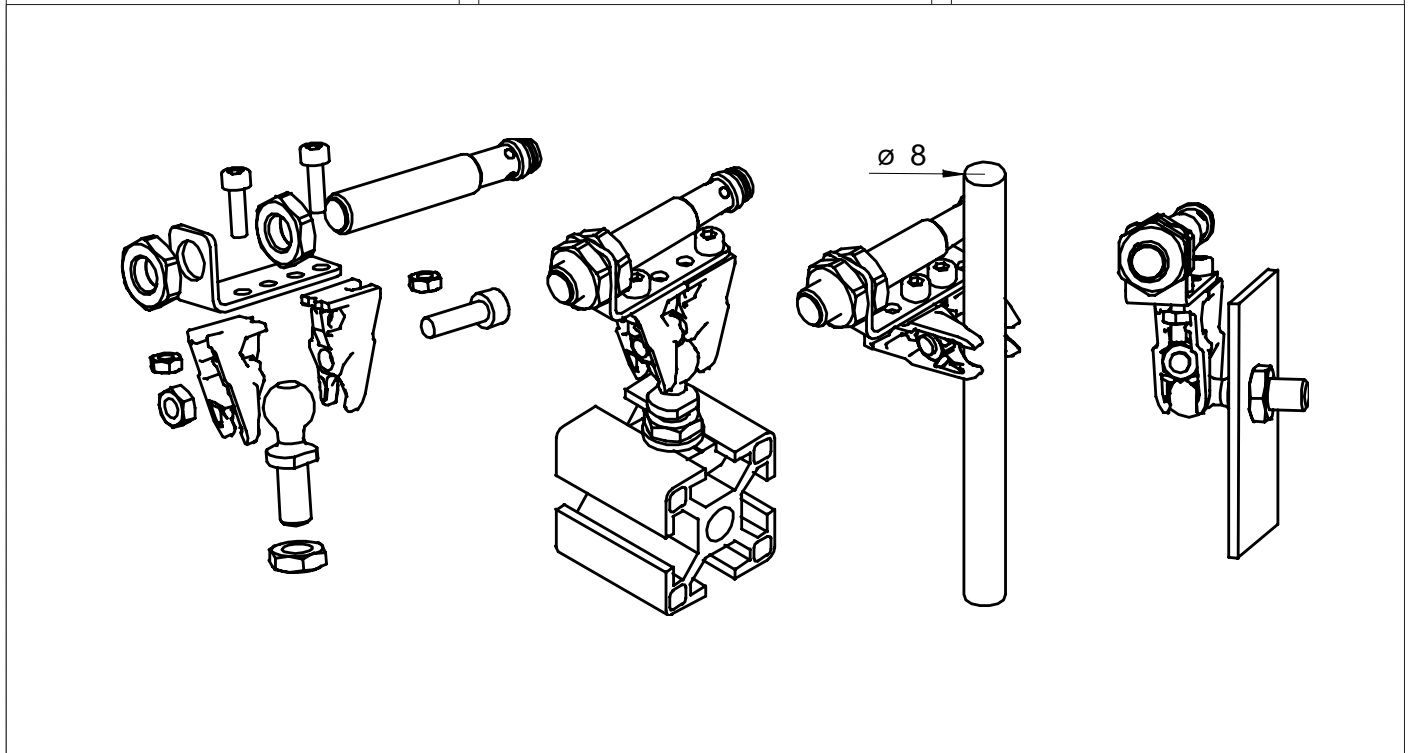
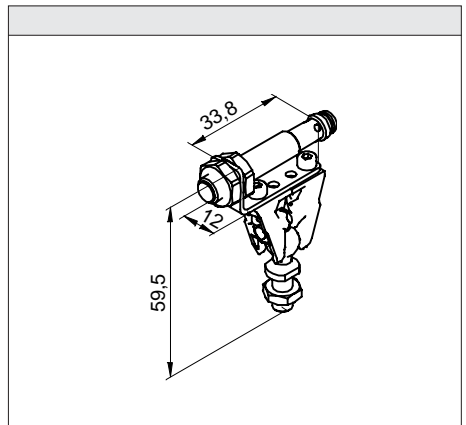
SENSOFIX series 08 RD

Art.-Code: 151719

- large freedom of movement makes it simple to adjust the sensor
- assemble on plates, profiles, sheet metals with only one screw
- mounting at a rod \varnothing 8 mm is possible
- different mounting versions
- Higher operational safety of the sensors benefits though the exact adjustment



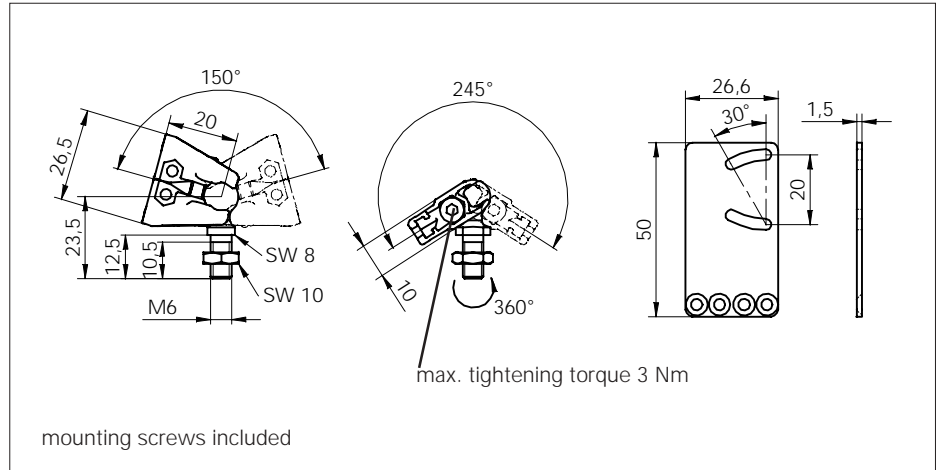
Technical data	
Material: jaw	stainless steel
Material: screw with ball-shaped head	steel galvanized
Material: steel sheet	stainless steel
Material: screw, nut	steel galvanized



SENSOFIX series 12

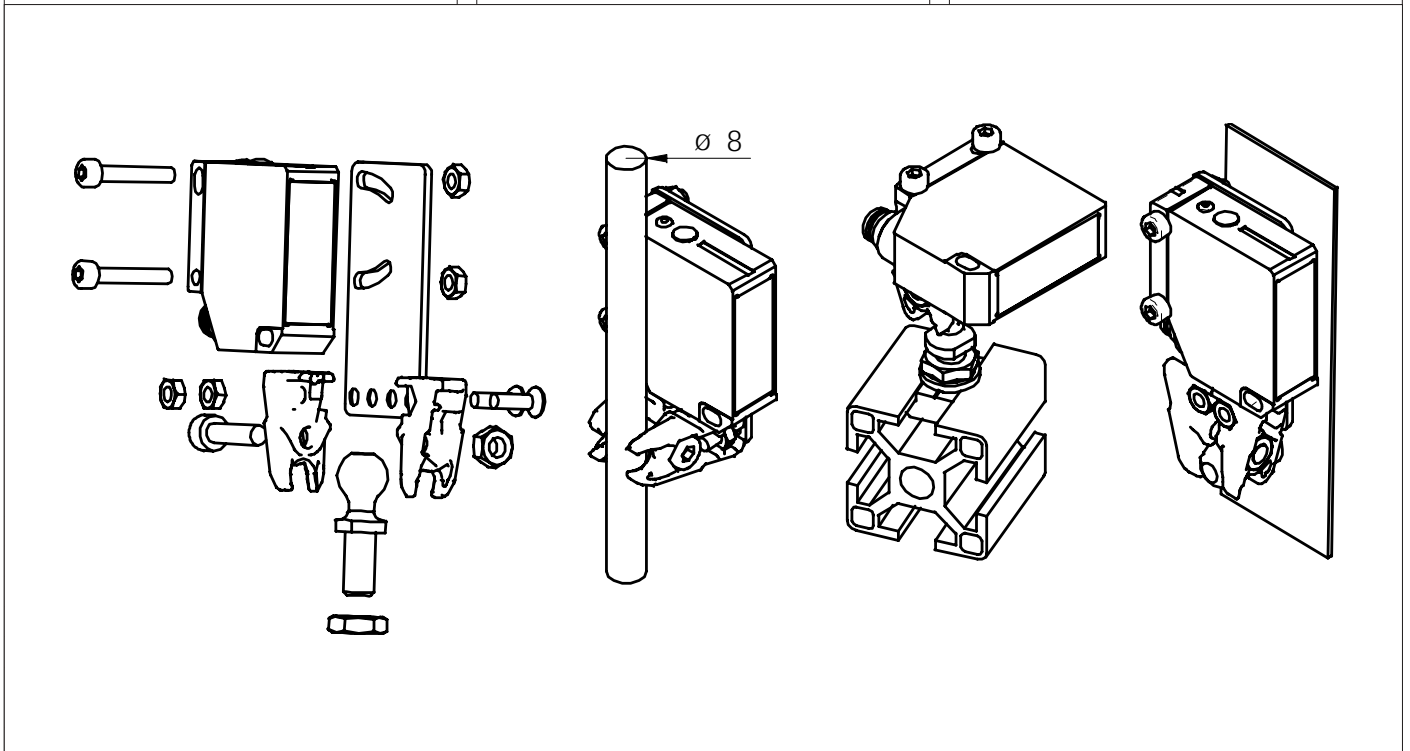
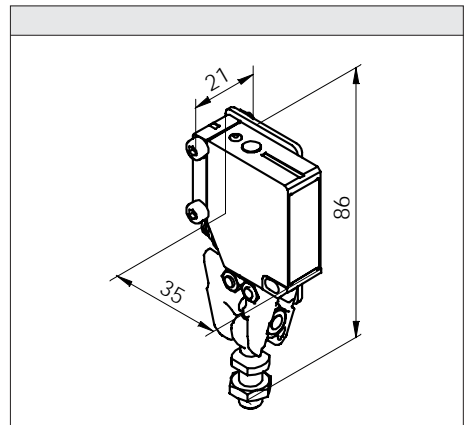
Art.-Code: 150328

- large freedom of movement makes it simple to adjust the sensor
- assemble on plates, profiles, sheet metals with only one screw
- mounting at a rod \varnothing 8 mm is possible
- different mounting versions
- Higher operational safety of the sensors benefits though the exact adjustment



Technical data	
Material: jaw	
Material: screw with ball-shaped head	
Material: steel sheet	
Material: screw, nut	

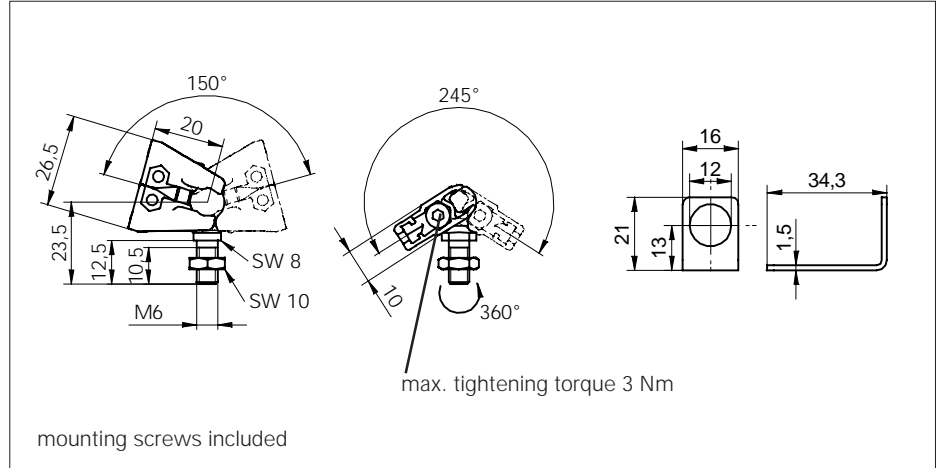
stainless steel
steel galvanized
stainless steel
steel galvanized



SENSOFIX series 12 RD

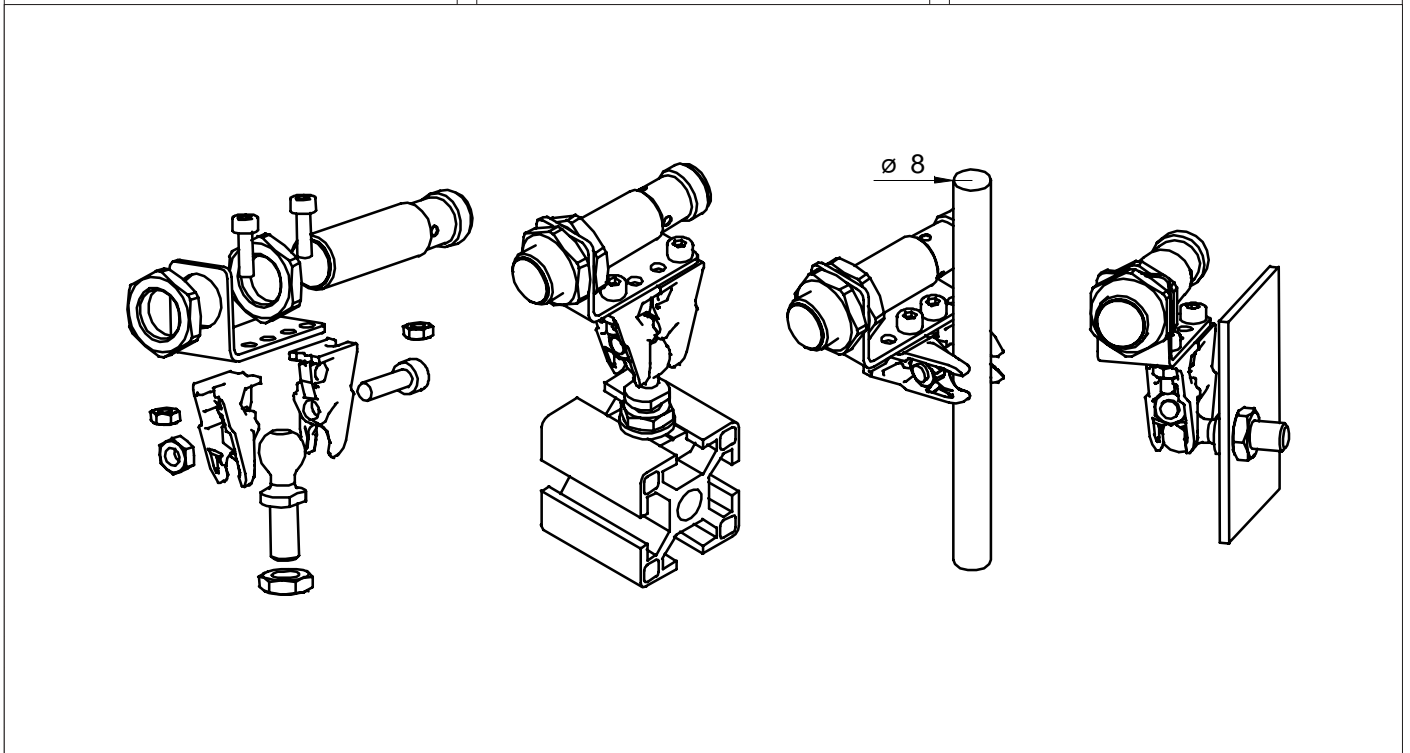
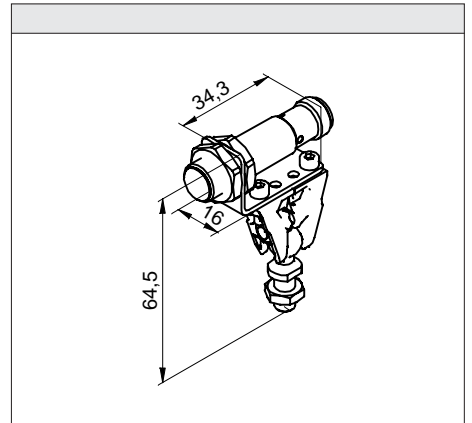
Art.-Code: 151720

- large freedom of movement makes it simple to adjust the sensor
- assemble on plates, profiles, sheet metals with only one screw
- mounting at a rod \varnothing 8 mm is possible
- different mounting versions
- Higher operational safety of the sensors benefits through the exact adjustment



Technical data	
Material: jaw	
Material: screw with ball-shaped head	
Material: steel sheet	
Material: screw, nut	

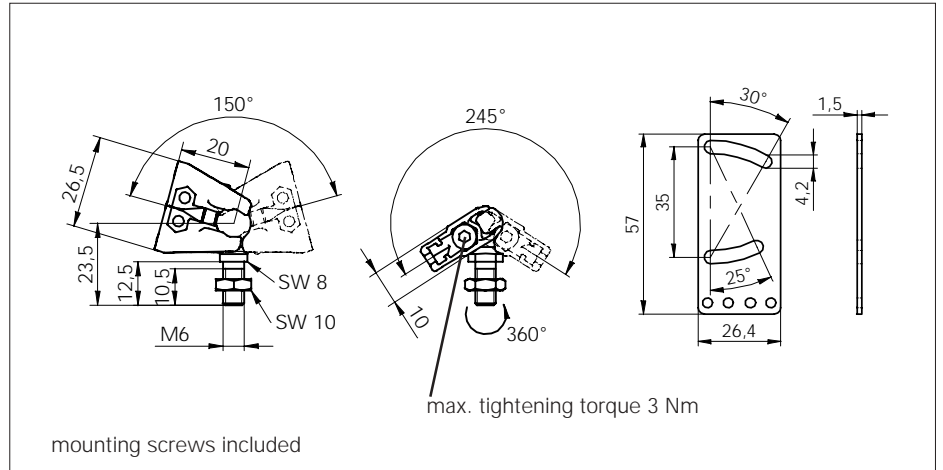
	stainless steel
	steel galvanized
	stainless steel
	steel galvanized



SENSOFIX series 14

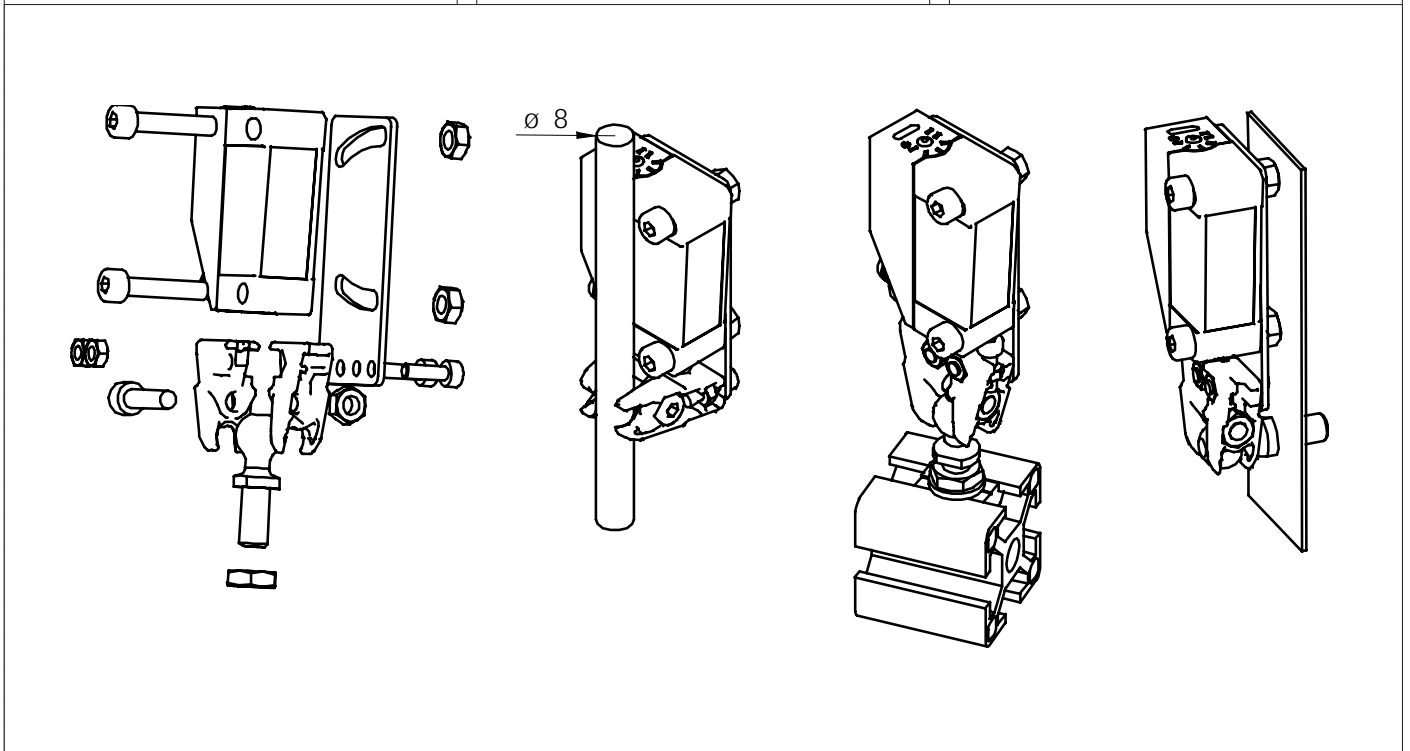
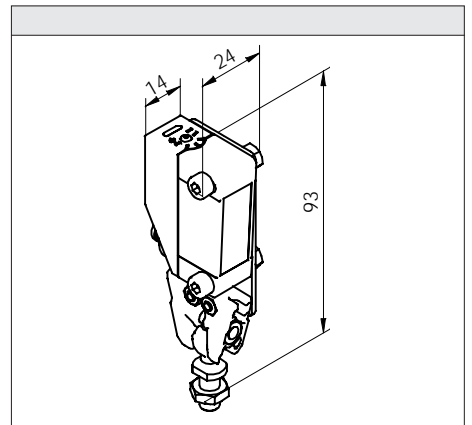
Art.-Code: 149011

- large freedom of movement makes it simple to adjust the sensor
- assemble on plates, profiles, sheet metals with only one screw
- mounting at a rod $\varnothing 8$ mm is possible
- different mounting versions
- Higher operational safety of the sensors benefits through the exact adjustment



Technical data	
Material: jaw	
Material: screw with ball-shaped head	
Material: steel sheet	
Material: screw, nut	

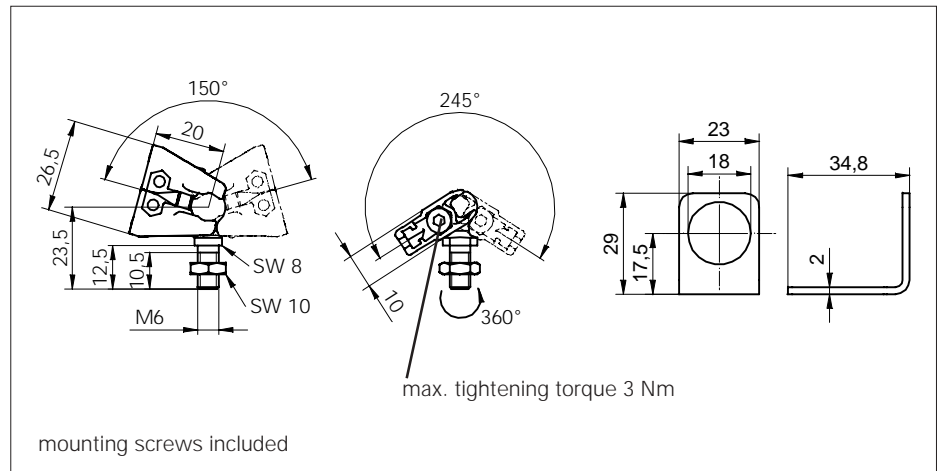
stainless steel
steel galvanized
stainless steel
steel galvanized



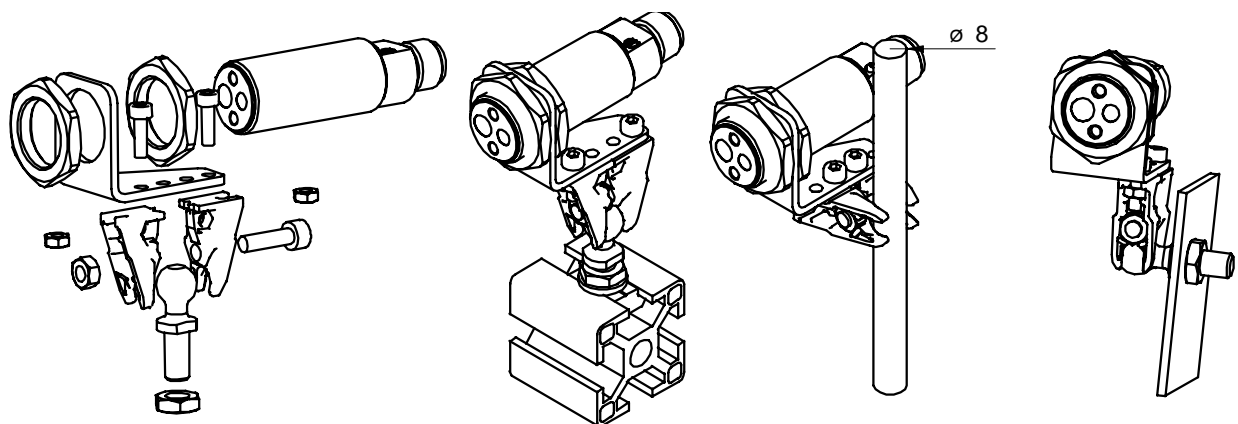
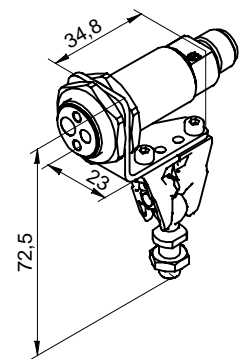
SENSOFIX series 18 RD

Art.-Code: 151658

- large freedom of movement makes it simple to adjust the sensor
- assemble on plates, profiles, sheet metals with only one screw
- mounting at a rod \varnothing 8 mm is possible
- different mounting versions
- Higher operational safety of the sensors benefits though the exact adjustment



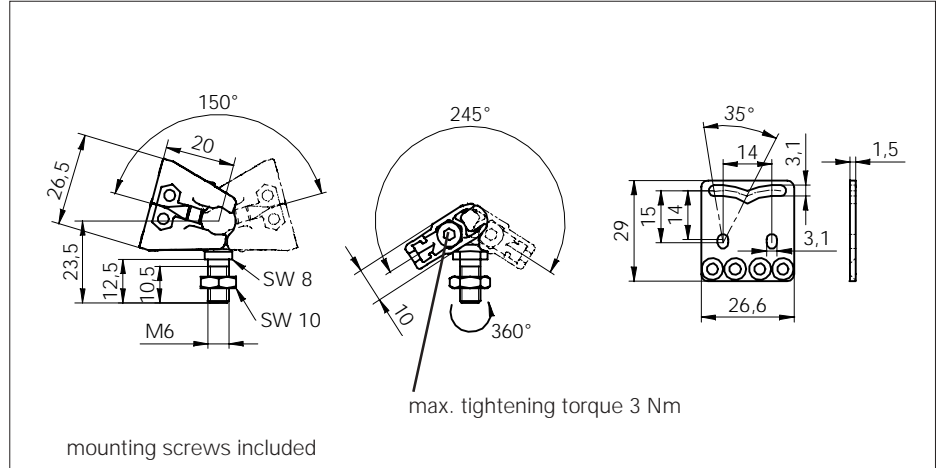
Technical data	
Material: jaw	stainless steel
Material: screw with ball-shaped head	steel galvanized
Material: steel sheet	stainless steel
Material: screw, nut	steel galvanized



SENSOFIX series 20

Art.-Code: 150326

- large freedom of movement makes it simple to adjust the sensor
- assemble on plates, profiles, sheet metals with only one screw
- mounting at a rod \varnothing 8 mm is possible
- different mounting versions
- Higher operational safety of the sensors benefits though the exact adjustment



Technical data	
Material: jaw	
Material: screw with ball-shaped head	
Material: steel sheet	
Material: screw, nut	

stainless steel
steel galvanized
stainless steel
steel galvanized

