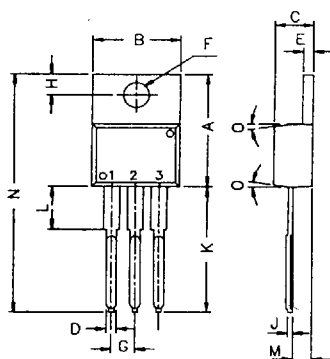
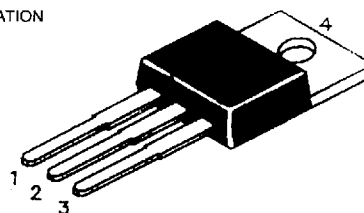


TO-220

PIN CONFIGURATION
 1. BASE
 2. COLLECTOR
 3. EMITTER
 4. COLLECTOR



ALL DIMENSIONS ARE IN M.M.

DIM	MIN	MAX
A	14,42	16,51
B	9,63	10,67
C	3,56	4,83
D	—	0,90
E	1,15	1,40
F	3,75	3,88
G	2,29	2,79
H	2,54	3,43
J	—	0,56
K	12,70	14,73
L	—	6,35
M	2,03	2,92
N	—	31,24
O	7	DEG

TO-220 Power Package Transistors (NPN)

Maximum Ratings						Electrical Characteristics (Ta=25°C, Unless Otherwise Specified)																
Type No.	V _{CE0} (V) Min	V _{CEO} (V) Min	V _{EBO} (V) Min	P ₀ (W) @Tc=25°C	I _C (A)	I _{CS0} (μA) Max	V _{CB} (V) @ (V)	I _{CES} (μA) Max	V _{CE} (V) @ (V)	h _{FE}	@	I _C & V _{CE} (A) (A)	V _{CE(SAT)} (V) Max	V _{BE(SAT)} (V) Min	V _{BE(SAT)} (V) Max	I _C (A)	C _{ob} (pF) Max	Typ	f _t (MHz) Min	Typ	@	I _C (mA) Max
2N5294	80	70	7	36	4			#*500	50	30	120	0.5 4	1			0.5			0.8			200
2N5296	60	40	5	36	4			#*500	50	30	120	1 4	1			1			0.8			200
2N5298	80	60	5	36	4			#*500	50	20	80	1.5 4	1			1.5			0.8			200
2N6292	80	70	5	40	7			* 100	75	30	150	2 4 2.3 7 4	.1 3.5			2 7	250		4			500
2SC1398	70	50	5	15	2	1	40			30		0.1 5	1		1.5	2						
2SC1398P	70	50	5	15	2	1	40			30		0.1 5	1		1.5	2						
2SC1398Q	70	50	5	15	2	1	40			30		0.1 5	1		1.5	2						
2SC1398R	70	50	5	15	2	1	40			30		0.1 5	1		1.5	2						
2SC2073	150	150	5	25	1.5	10	120			40	140	0.5 10	1.5			0.5	35		4			500
2SC2233	200	60	5	40	4	10	170			30	150	1 5 20 4 5	1		1.5	4			8			500
2SC2238	160	160	5	25	1.5	1	160			70	240	0.1 5	1.5			0.5	25		100			100
2SC2238O	160	160	5	25	1.5	1	160			70	140	0.1 5	1.5			0.5	25		100			100
2SC2238Y	160	160	5	25	1.5	1	160			120	240	0.1 5	1.5			0.5	25		100			100
2SC2335	500	400	7	40	7	10	400			20	80	0.1 5 20 80 1 5 10 3 5	1		1.2	3						
2SC2335O	500	400	7	40	7	10	400			20	80	0.1 5 30 60 1 5 10 3 5	1		1.2	3						

* NOTE : I_{CES}
 #* NOTE : I_{CER}

2383394 0000998 899