

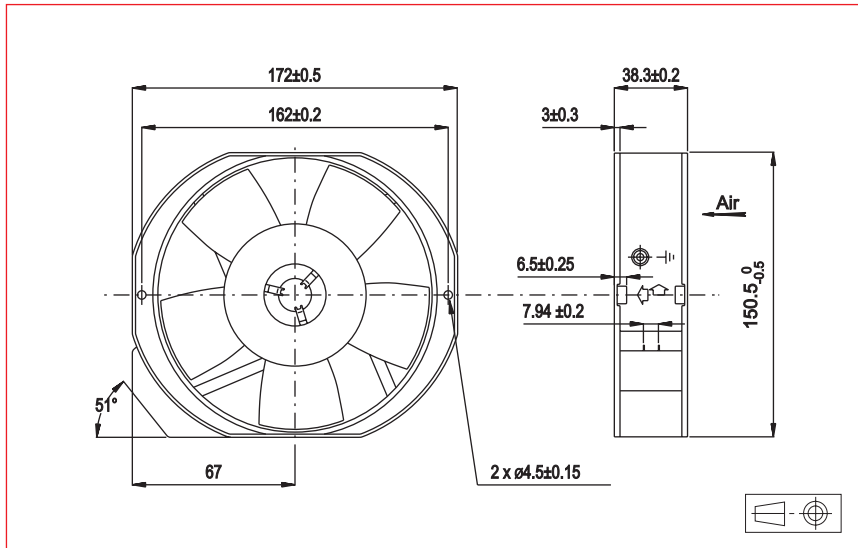
6,77" x 5,9" x 1,496"

172 x 150 x 38 mm

Series
148V

ETRI

AC Axial Fans



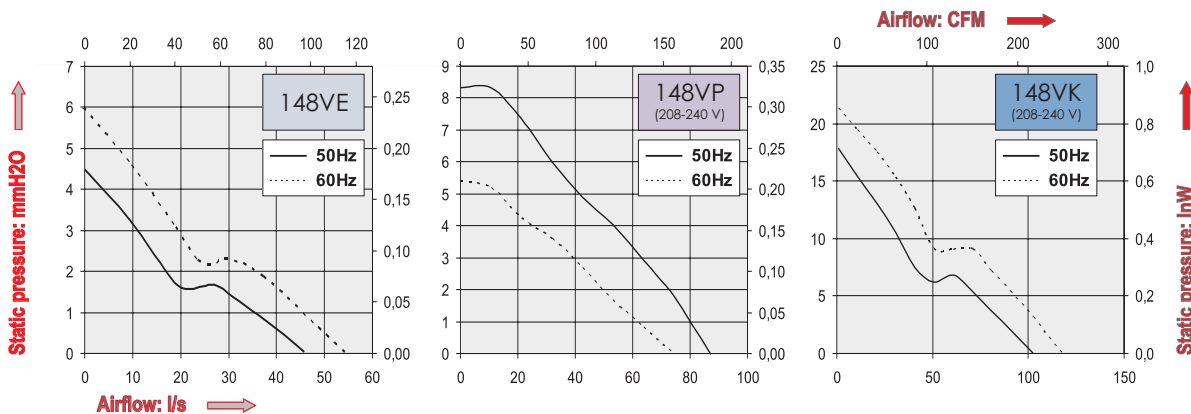
Approvals



AC Motor
 Electrical protection: thermally protected
 Housing material: zamak
 Impeller material: plastic UL 94 VO
 Weight: 1,1 kg
 Bearing system: ball bearings

Available with:
 - Flying leads
 - Speed sensor

Life expectancy
 L-10 LIFE AT 40°C:
 80 000 hours



Part Number	Nominal voltage	Airflow	Noise level	Nominal speed	Frequency	Phases	Capacitor	Input Power	Nominal current	Starting current	Connection type		Operating temperature	
	V										l/s	dB(A)	RPM	Hz
148VE0282000	115	49	36	1400	50	1	1	11	100	140	X	X	-10	70
		58	39	1650	60	1	1	11	90	140	X	X	-10	70
148VE0281000	208-240	49	36	1400	50	1	0,32	13	60	80	X	X	-10	70
		58	39	1650	60	1	0,32	14	60	80	X	X	-10	70
148VP0282000	115	81	50	2350	50	1	2,2	14	120	170	X	X	-10	70
		70	45,5	2100	60	1	2,2	18	160	180	X	X	-10	70
148VP0281000	208-240	82	49	2400	50	1	0,69	16	70	100	X	X	-10	70
		70	44	2000	60	1	0,69	22	100	105	X	X	-10	70
148VK0282000	115	100	54	2850	50	1	2,7	32	300	610	X	X	-10	70
		119	57	3300	60	1	2,7	32	270	590	X	X	-10	70
148VK0281000	208-240	100	53	2800	50	1	2,2	35	200	390	X	X	-10	55
		117	57	3200	60	1	2,2	33	170	370	X	X	-10	55

Additional versions:
 Other weight: 830 g - Aluminium impeller - salt spray protected - shock and vibration protected - marine specifications - wide temperature range
 IP54: consult factory

Accessories:
 Refer to Accessories leaflet

