

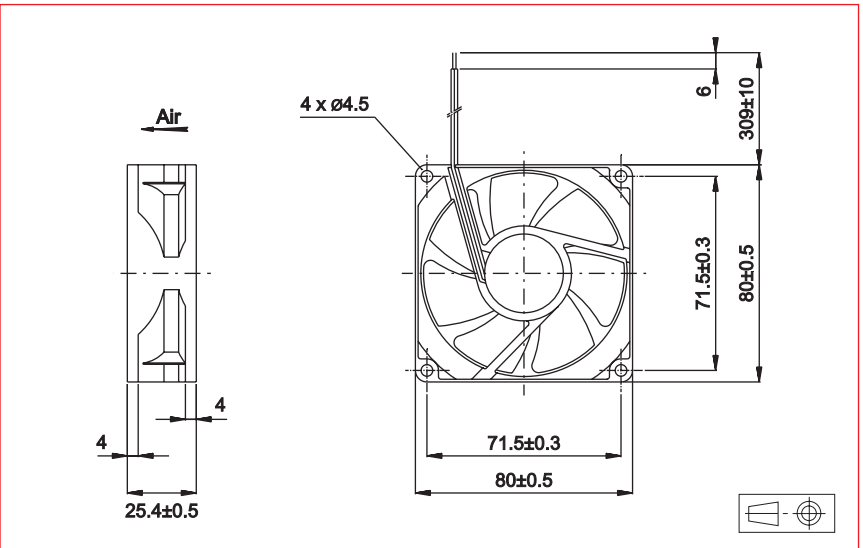


Approvals



Life expectancy

L-10 LIFE AT 40°C:
70 000 hours

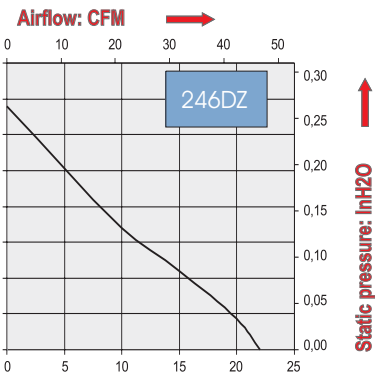
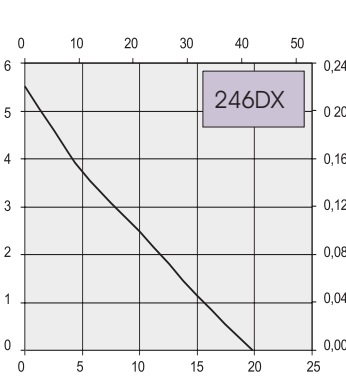
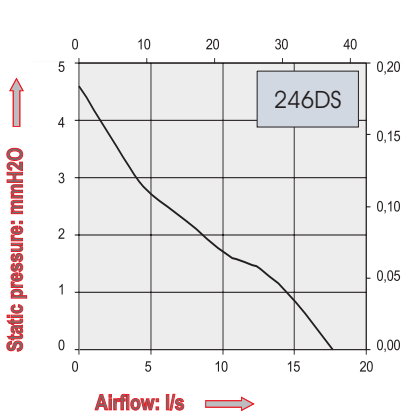


Brushless DC Motor

Electrical protection: integrated circuit
Housing material: plastic UL 94 V0
Impeller material: plastic UL 94 V0
Maximum weight: 88 g
Bearing system: ball bearings
Connection: flying leads
IP 20

Available with:

- Speed sensor
- Alarm
- IP 54 / IP 55



Part Number	Nominal voltage	Airflow	Noise level	Nominal speed	Input Power	Voltage range	Operating temperature	
	V	l/s	dB(A)	RPM			Min.°C	Max.°C
246DS1LP11000	12	17,7	34	3250	2,4	(7-13,8)	-10	70
246DS2LP11000	24	17,7	34	3250	2,2	(14-27,6)	-10	70
246DX1LP11000	12	19,8	39	3600	3,1	(7-13,8)	-10	70
246DX2LP11000	24	19,8	39	3600	3,4	(14-27,6)	-10	70
246DZ1LP11000	12	22,0	40	4000	4,1	(7-13,8)	-10	70
246DZ2LP11000	24	22,0	40	4000	3,8	(14-27,6)	-10	70

Additional versions:

Lower speeds (refer to page 16)