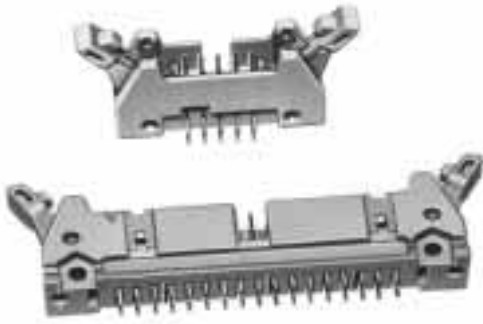
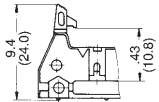
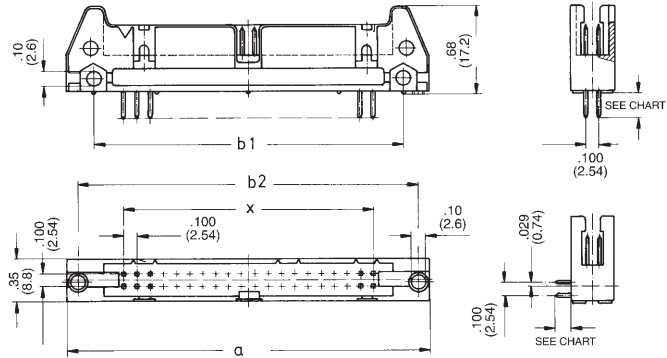


**Series 050  
Headers**

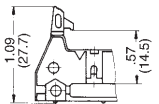
**10 to 64 contact headers  
compatible with:  
DIN 41651,  
MIL-C-83503**



**Wave Solder**



Short locking latches for LAT-CON™ sockets with and without strain relief.



Long locking latches for LAT-CON™ sockets with strain relief.

**Dimensions**

	10	14	16	20	26	34	40	50	60	64
<b>a</b>	1.27" (32.3)	1.47" (37.3)	1.57" (39.9)	1.76" (44.7)	2.06" (52.3)	2.46" (62.5)	2.76" (70.1)	3.26" (82.8)	3.76" (95.5)	3.96" (100.6)
<b>b1</b>	.86" (21.8)	1.06" (26.9)	1.16" (29.5)	1.36" (34.5)	1.66" (42.2)	2.06" (52.3)	2.36" (59.9)	2.86" (72.6)	3.36" (85.3)	3.46" (90.4)
<b>b2</b>	1.10" (27.9)	1.30" (33.0)	1.40" (35.5)	1.60" (40.6)	1.90" (48.3)	2.30" (58.4)	2.60" (66.0)	3.10" (78.7)	3.60" (91.4)	3.80" (96.5)
<b>x</b>	.400" (10.16)	.600" (15.24)	.700" (17.78)	.900" (22.86)	1.200" (30.48)	1.600" (40.64)	1.900" (48.26)	2.400" (60.96)	2.900" (73.66)	3.100" (78.74)

**PCB Layout**

**Compliant Pin**

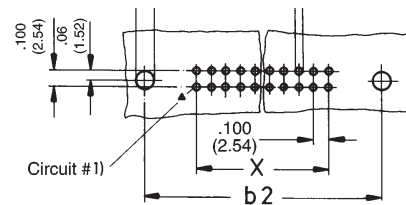
- P.C.B. thickness . . . . . 1.6 – 3.2 mm
- Finished hole size . . . . . 0.94 – 1.09 mm
- Drill size . . . . . 1.15 ± 0.01 mm
- Copper . . . . . 25 – 76 µm
- Tin-lead. . . . . min. 76 µm

**Series 050  
Headers**



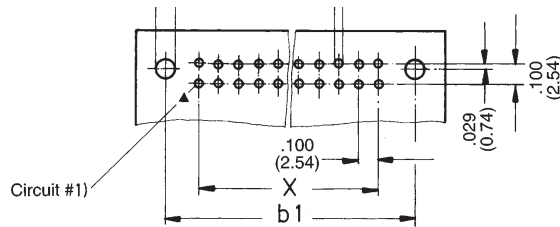
**Printed Circuit Layout - Straight**

Wave Solder



**Printed Circuit Layout - Angled**

Wave Solder



**Part numbers**

No. of contacts 10, 14, 16, 20, 26, 34, 40, 50, 60, 64

□□ = Number of Circuits

Style	Termination	Tail Length	Plating Thickness	
			30μ" Au	15μ" Au
	Wave solder angled	.177 (4.5 mm)	<b>050-0 □□ - 032</b>	<b>050-0 □□ - 052</b>
		.114 (2.9 mm)	<b>050-0 □□ - 033</b>	<b>050-0 □□ - 053</b>
	Wave solder straight	.177 (4.5 mm)	<b>050-0 □□ - 132</b>	<b>050-0 □□ - 152</b>
		.114 (2.9 mm)	<b>050-0 □□ - 133</b>	<b>050-0 □□ - 153</b>
	Wave solder angled	.177 (4.5 mm)	<b>050-0 □□ - 032A</b>	<b>050-0 □□ - 052A</b>
		.114 (2.9 mm)	<b>050-0 □□ - 033A</b>	<b>050-0 □□ - 053A</b>
	Wave solder straight	.177 (4.5 mm)	<b>050-0 □□ - 132A</b>	<b>050-0 □□ - 152A</b>
		.114 (2.9 mm)	<b>050-0 □□ - 133A</b>	<b>050-0 □□ - 153A</b>
	Wave solder angled	.177 (4.5 mm)	<b>050-0 □□ - 032B</b>	<b>050-0 □□ - 052B</b>
		.114 (2.9 mm)	<b>050-0 □□ - 033B</b>	<b>050-0 □□ - 053B</b>
	Wave solder straight	.177 (4.5 mm)	<b>050-0 □□ - 132B</b>	<b>050-0 □□ - 152B</b>
		.114 (2.9 mm)	<b>050-0 □□ - 133B</b>	<b>050-0 □□ - 153B</b>

\*Contact Factory For Press-Fit/Compliant Pin Options & Tooling