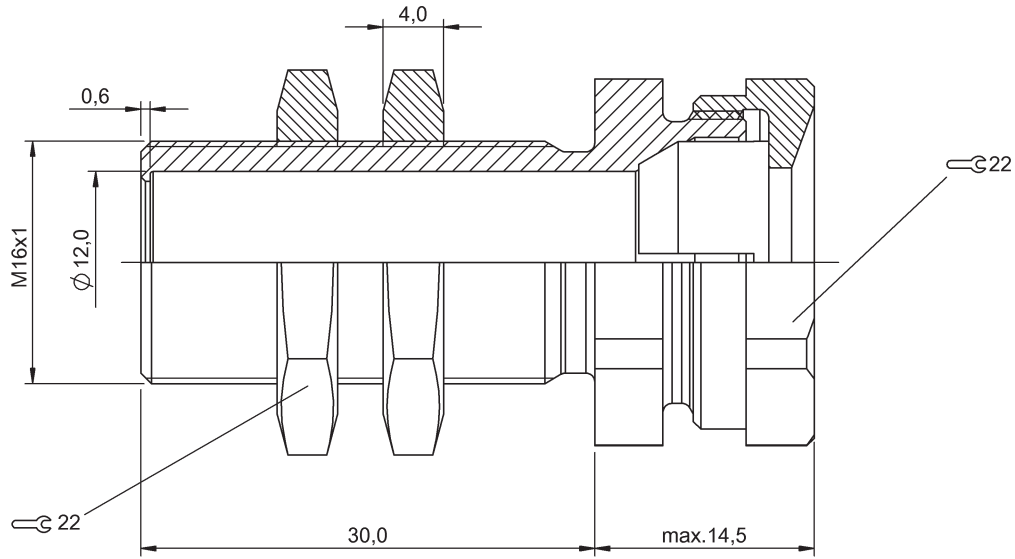


Available on Request



Please note: This particular product is scheduled to be phased out. More information can be found on www.balluff.com. You may also get in touch with your local Balluff representative if you need additional assistance.

- Mounting clamp
- Use with sensors Ø12mm and M12
- CuZn
- Nickel-plated

General attributes

Additional features
Application
Scope of delivery

Weld immune
Use with sensors Ø12mm and M12
Clamp holder (1x)
Nut DIN 1763 M16x1 (2x)

Material
Mounting type
Surface protection
Tightening torque
Tightening torque for clamping

CuZn
screwing/clamping
Nickel-plated
20 Nm
1.5 Nm

Electrical attributes

Mechanical attributes

Length 1 22.0 mm
Length 2 44.5 mm

Additional text

For proximity switches from fixing length 40 mm.
The proximity switch is inserted into the clamp holder up to the fixed stop and secured using a pressure screw.
The fixed stop may alter the switching distance of the proximity switch.