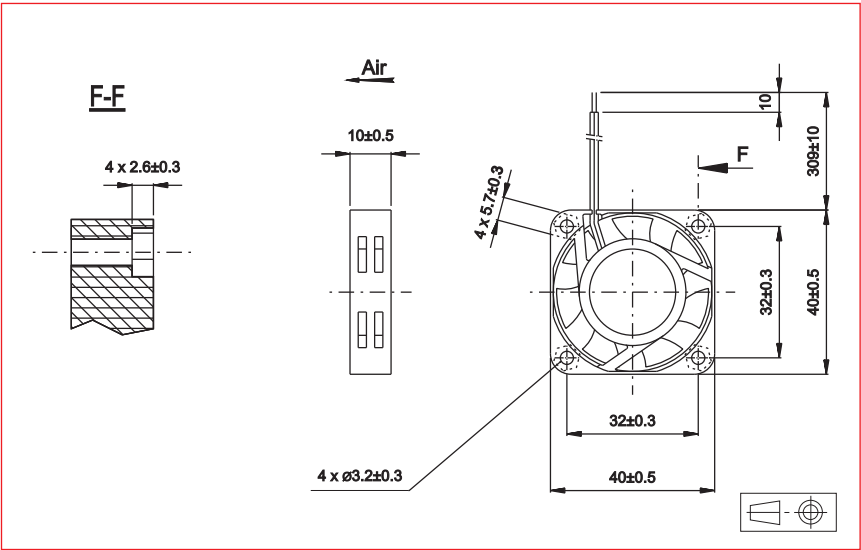


## 40 x 40 x 10 mm



**Approvals**

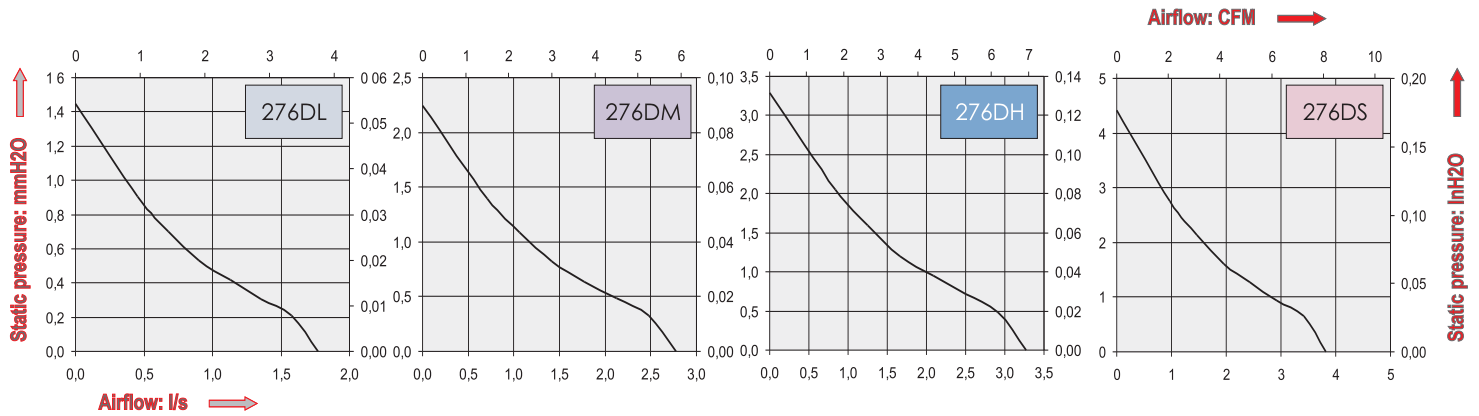


**Life expectancy**

L-10 LIFE AT 40°C :  
70 000 hours

**Brushless DC Motor**  
 Electrical protection: impedance protected  
 Housing material: plastic UL 94 VO  
 Impeller material: plastic UL 94 VO  
 Weight: 15g  
 Bearing system: ball bearings

**Available with:**  
 - Speed sensor  
 - Alarm



Part Number	Nominal voltage	Airflow	Noise level	Nominal speed	Input Power	Voltage range	Connection type		Operating temperature	
	V	l/s	dB(A)	RPM	W	V	Leads	Terminals	Min.°C	Max.°C
276DL5LP11000C	5	1,77	20,5	4000	0,4	(4,5-5,5)	X		-10	70
276DL1LP11000C	12	1,77	20,5	4000	0,6	(9-13,8)	X		-10	70
276DM5LP11000C	5	2,78	24,5	5000	0,5	(4,5-5,5)	X		-10	70
276DM1LP11000C	12	2,78	24,5	5000	0,7	(7-13,8)	X		-10	70
276DH5LP11000C	5	3,27	28,5	6000	0,7	(4,5-5,5)	X		-10	70
276DH1LP11000C	12	3,27	28,5	6000	1,0	(7-13,8)	X		-10	70
276DS5LP11000C	5	3,82	33,0	7000	1,0	(4,5-5,5)	X		-10	70
276DS1LP11000C	12	3,82	33,0	7000	1,2	(7-13,8)	X		-10	70

**Additional versions:**  
 Higher speed (276DX): consult factory  
 Sleeve bearings: consult factory

**Accessories:**  
 Refer to Accessories leaflet