

LM380

2.5W Audio Power Amplifier

General Description

The LM380 is a power audio amplifier for consumer applications. In order to hold system cost to a minimum, gain is internally fixed at 34 dB. A unique input stage allows ground referenced input signals. The output automatically self-centers to one-half the supply voltage.

The output is short circuit proof with internal thermal limiting. The package outline is standard dual-in-line. The LM380N uses a copper lead frame. The center three pins on either side comprise a heat sink. This makes the device easy to use in standard PC layouts.

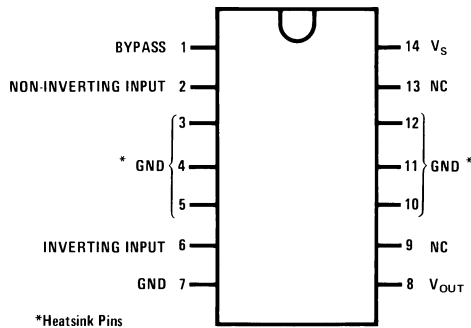
Uses include simple phonograph amplifiers, intercoms, line drivers, teaching machine outputs, alarms, ultrasonic drivers, TV sound systems, AM-FM radio, small servo drivers, power converters, etc.

A selected part for more power on higher supply voltages is available as the LM384. For more information see AN-69.

Features

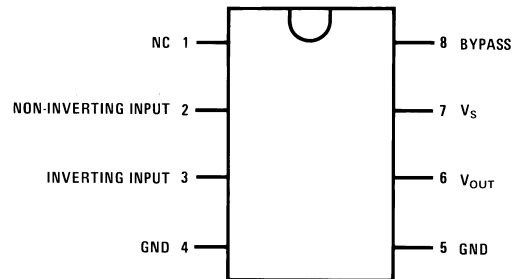
- Wide supply voltage range: 10V-22V
- Low quiescent power drain: 0.13W ($V_S = 18V$)
- Voltage gain fixed at 50
- High peak current capability: 1.3A
- Input referenced to GND
- High input impedance: 150k Ω
- Low distortion
- Quiescent output voltage is at one-half of the supply voltage
- Standard dual-in-line package

Connection Diagrams (Dual-In-Line Packages, Top View)



Order Number LM380N
See NS Package Number N14A

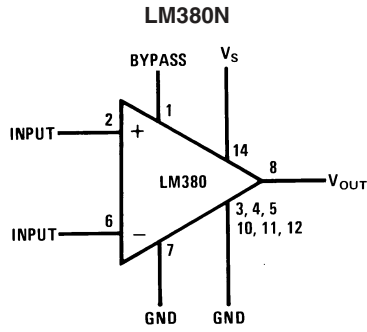
00697701



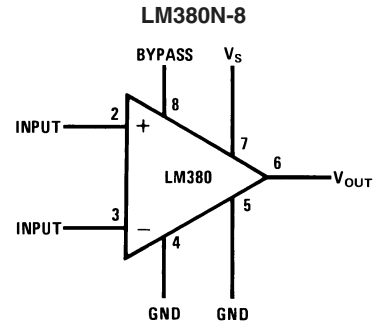
Order Number LM380N-8
See NS Package Number N08E

00697702

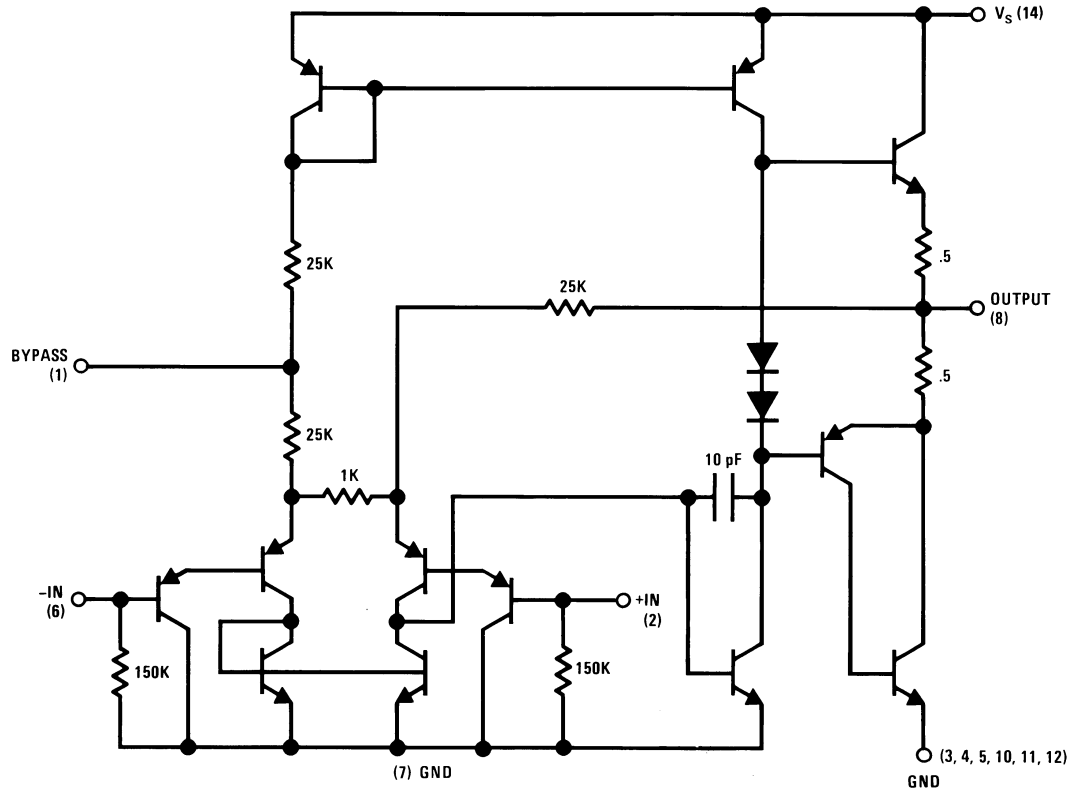
Block and Schematic Diagrams



00697703



00697704



00697705

Absolute Maximum Ratings (Note 1)

If Military/Aerospace specified devices are required, please contact the National Semiconductor Sales Office/Distributors for availability and specifications.

Supply Voltage	22V
Peak Current	1.3A
Package Dissipation 14-Pin DIP (Note 7)	8.3W
Package Dissipation 8-Pin DIP (Note 7)	1.67W
Input Voltage	±0.5V
Storage Temperature	-65°C to +150°C

Operating Temperature	0°C to +70°C
Junction Temperature	+150°C
Lead Temperature (Soldering, 10 sec.)	+260°C
ESD rating to be determined	
Thermal Resistance	
θ_{JC} (14-Pin DIP)	30°C/W
θ_{JC} (8-Pin DIP)	37°C/W
θ_{JA} (14-Pin DIP)	79°C/W
θ_{JA} (8-Pin DIP)	107°C/W

Electrical Characteristics (Note 2)

Symbol	Parameter	Conditions	Min	Typ	Max	Units
$P_{OUT(RMS)}$	Output Power	$R_L = 8\Omega$, THD = 3% (Notes 4, 5)	2.5			W
A_V	Gain		40	50	60	V/V
V_{OUT}	Output Voltage Swing	$R_L = 8\Omega$		14		V_{P-P}
Z_{IN}	Input Resistance			150k		Ω
THD	Total Harmonic Distortion	(Notes 5, 6)		0.2		%
PSRR	Power Supply Rejection Ratio	(Note 3)		38		dB
V_S	Supply Voltage		10		22	V
BW	Bandwidth	$P_{OUT} = 2W$, $R_L = 8\Omega$		100k		Hz
I_Q	Quiescent Supply Current			7	25	mA
V_{OUTQ}	Quiescent Output Voltage		8	9.0	10	V
I_{BIAS}	Bias Current	Inputs Floating		100		nA
I_{SC}	Short Circuit Current			1.3		A

Note 1: "Absolute Maximum Ratings" indicate limits beyond which damage to the device may occur. Operating Ratings indicate conditions for which the device is functional, but do not guarantee specific performance limits.

Note 2: $V_S = 18V$ and $T_A = 25^\circ C$ unless otherwise specified.

Note 3: Rejection ratio referred to the output with $C_{BYPASS} = 5 \mu F$.

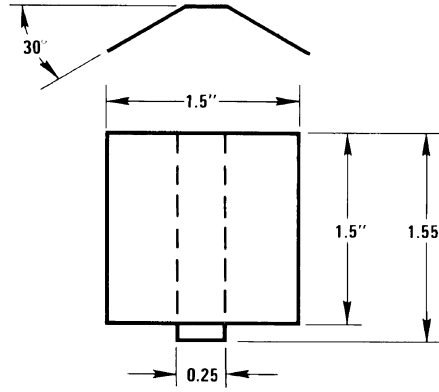
Note 4: With device Pins 3, 4, 5, 10, 11, 12 soldered into a 1/16" epoxy glass board with 2 ounce copper foil with a minimum surface of 6 square inches.

Note 5: $C_{BYPASS} = 0.47 \mu F$ on Pin 1.

Note 6: The maximum junction temperature of the LM380 is 150°C.

Note 7: The package is to be derated at 15°C/W junction to heat sink pins for 14-pin pkg; 75°C/W for 8-pin.

Heat Sink Dimensions

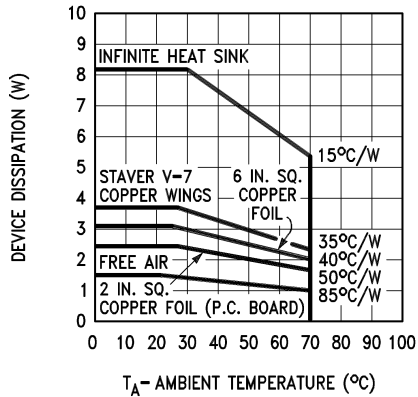


00697706

Staver Heat Sink #V-7
 Staver Company
 41 Saxon Ave.
 P.O. Drawer H
 Bayshore, NY 11706
 Tel: (516) 666-8000
 Copper Wings
 2 Required
 Soldered to
 Pins 3, 4, 5,
 10, 11, 12
 Thickness 0.04
 Inches

Typical Performance Characteristics

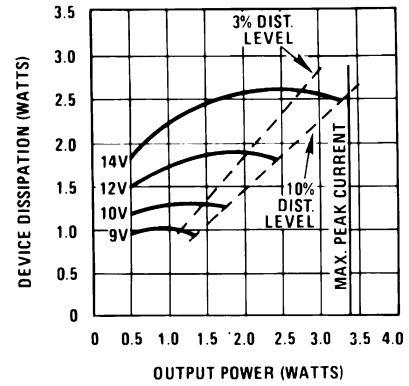
Maximum Device Dissipation vs Ambient Temperature



T_A - AMBIENT TEMPERATURE (°C)
 Note: 2 oz. copper foil, single-sided PC board.

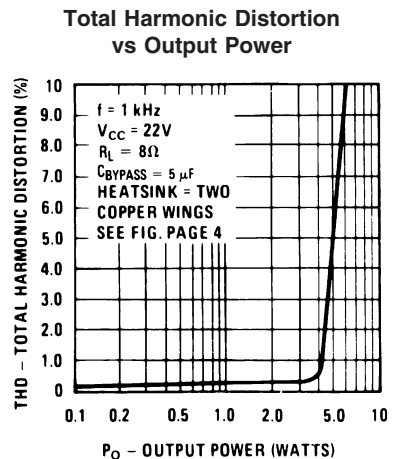
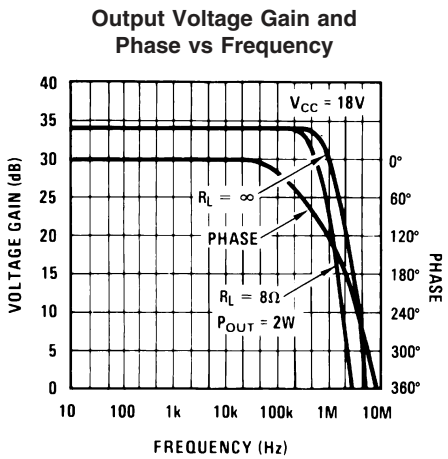
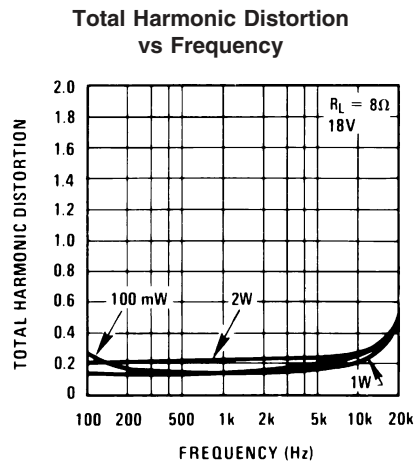
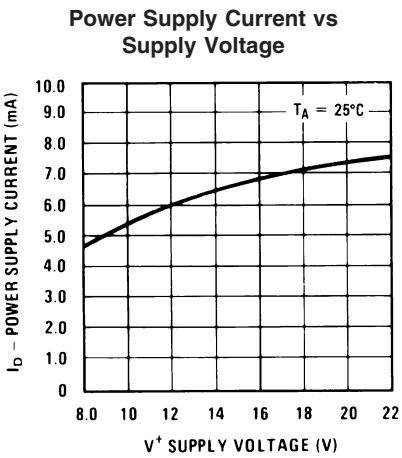
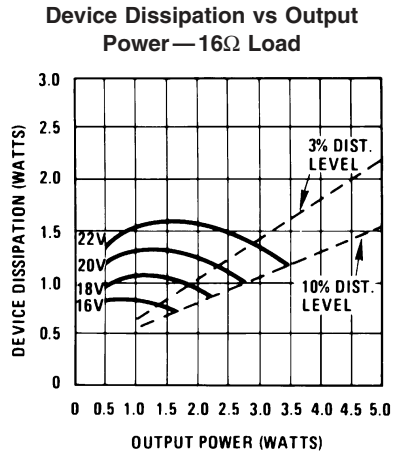
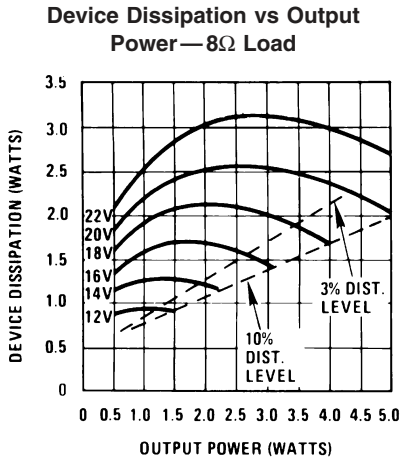
00697712

Device Dissipation vs Output Power — 4Ω Load

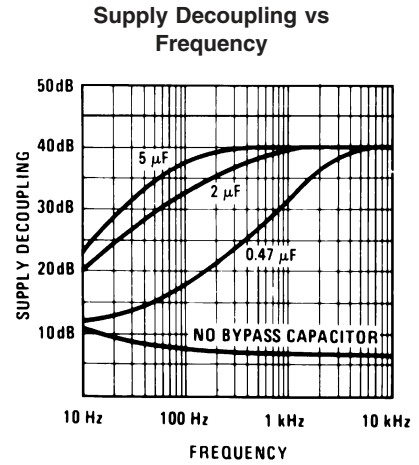
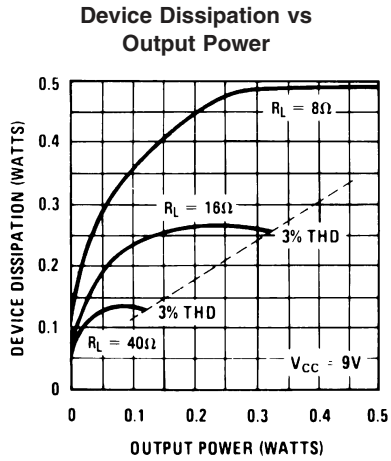


00697713

Typical Performance Characteristics (Continued)

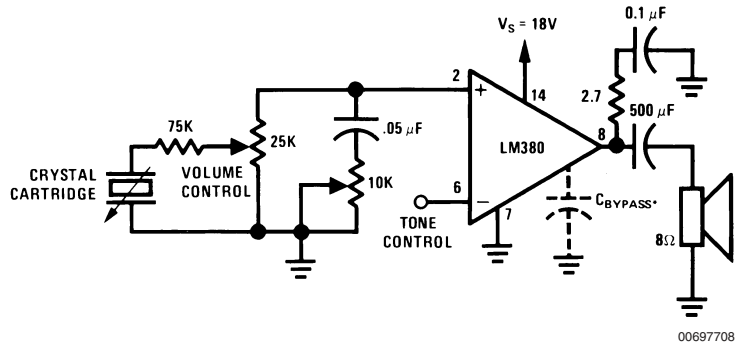


Typical Performance Characteristics (Continued)

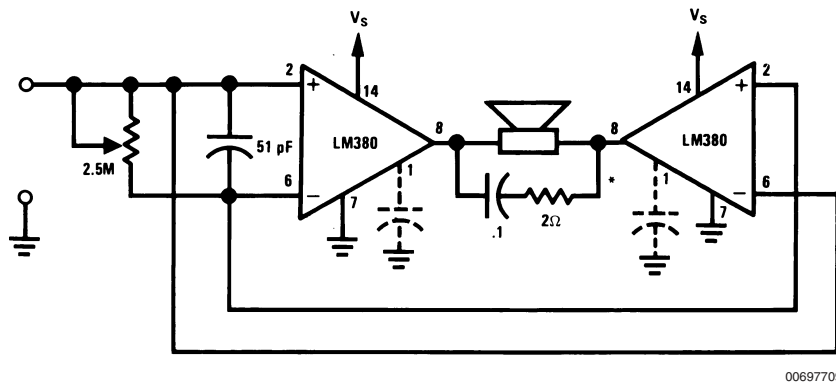


Typical Applications

Phono Amplifier

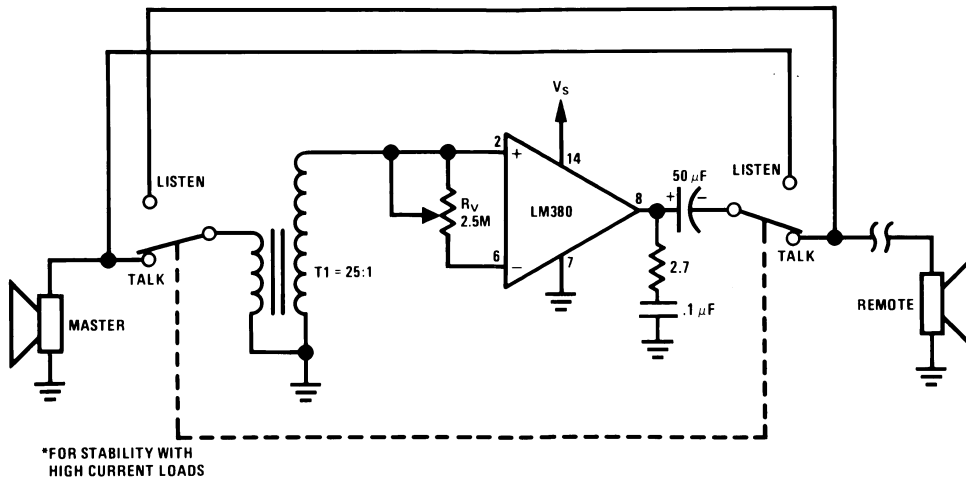


Bridge Amplifier



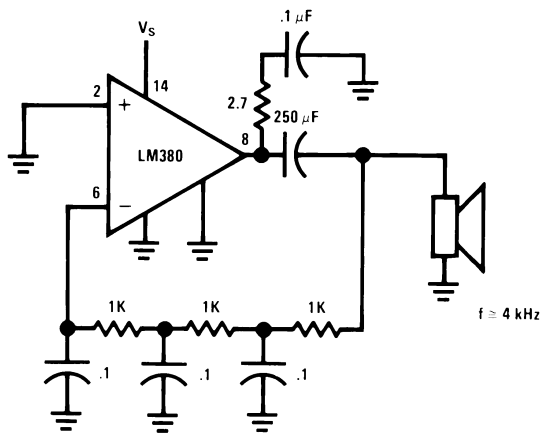
Typical Applications (Continued)

Intercom



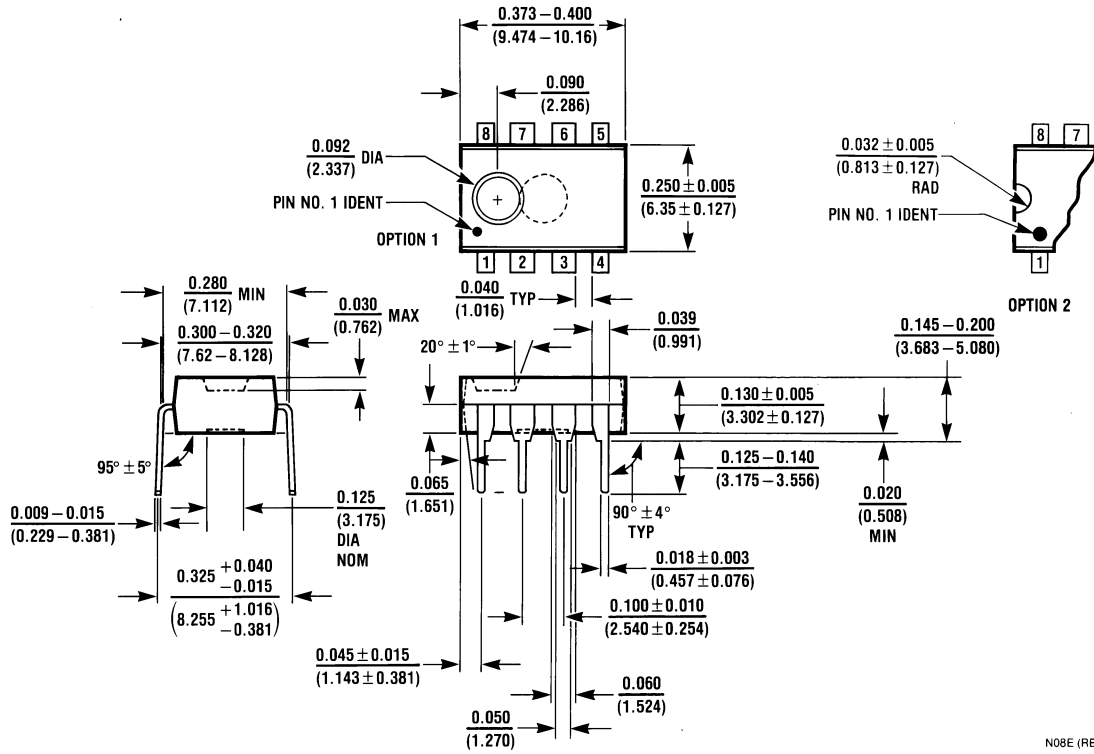
00697710

Phase Shift Oscillator



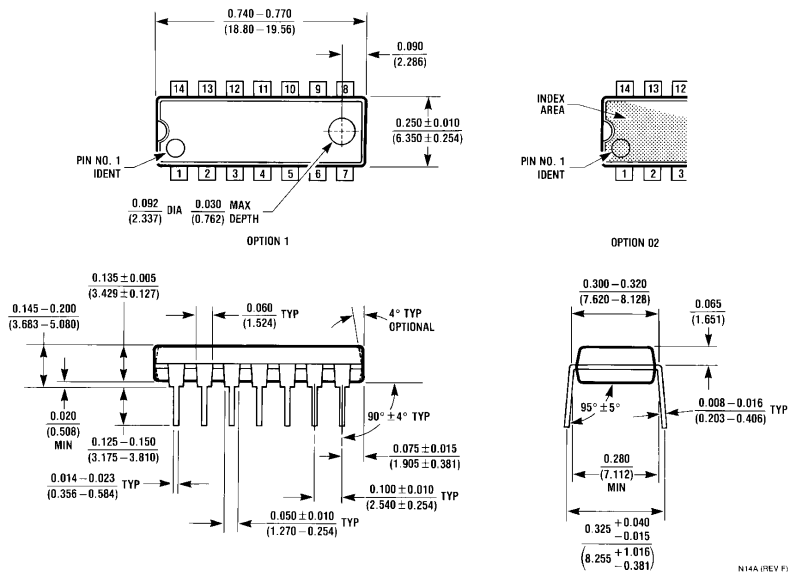
00697711

Physical Dimensions inches (millimeters) unless otherwise noted



Molded Dual-In-Line Package (N)
Order Number LM380N-8
NS Package Number N08E

N08E (REV F)



Molded Dual-In-Line Package (N)
Order Number LM380N
NS Package Number N14A

N14A (REV F)

Notes

National does not assume any responsibility for use of any circuitry described, no circuit patent licenses are implied and National reserves the right at any time without notice to change said circuitry and specifications.

For the most current product information visit us at www.national.com.

LIFE SUPPORT POLICY

NATIONAL'S PRODUCTS ARE NOT AUTHORIZED FOR USE AS CRITICAL COMPONENTS IN LIFE SUPPORT DEVICES OR SYSTEMS WITHOUT THE EXPRESS WRITTEN APPROVAL OF THE PRESIDENT AND GENERAL COUNSEL OF NATIONAL SEMICONDUCTOR CORPORATION. As used herein:

1. Life support devices or systems are devices or systems which, (a) are intended for surgical implant into the body, or (b) support or sustain life, and whose failure to perform when properly used in accordance with instructions for use provided in the labeling, can be reasonably expected to result in a significant injury to the user.
2. A critical component is any component of a life support device or system whose failure to perform can be reasonably expected to cause the failure of the life support device or system, or to affect its safety or effectiveness.

BANNED SUBSTANCE COMPLIANCE

National Semiconductor certifies that the products and packing materials meet the provisions of the Customer Products Stewardship Specification (CSP-9-111C2) and the Banned Substances and Materials of Interest Specification (CSP-9-111S2) and contain no "Banned Substances" as defined in CSP-9-111S2.



National Semiconductor
Americas Customer
Support Center
 Email: new.feedback@nsc.com
 Tel: 1-800-272-9959

National Semiconductor
Europe Customer Support Center
 Fax: +49 (0) 180-530 85 86
 Email: europa.support@nsc.com
 Deutsch Tel: +49 (0) 69 9508 6208
 English Tel: +44 (0) 870 24 0 2171
 Français Tel: +33 (0) 1 41 91 8790

National Semiconductor
Asia Pacific Customer
Support Center
 Email: ap.support@nsc.com

National Semiconductor
Japan Customer Support Center
 Fax: 81-3-5639-7507
 Email: jpn.feedback@nsc.com
 Tel: 81-3-5639-7560